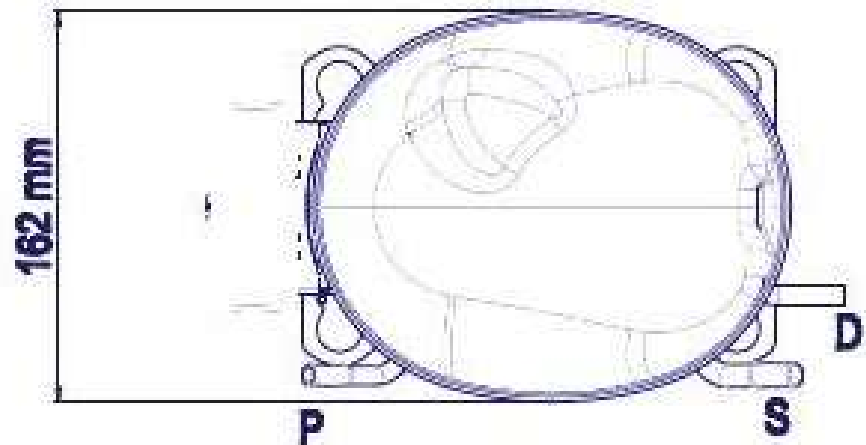
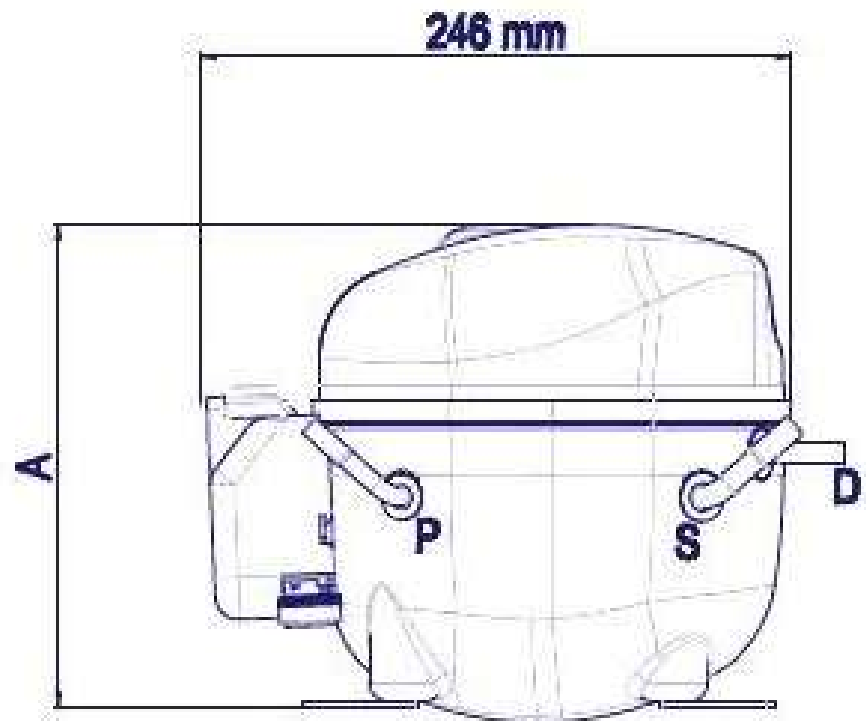
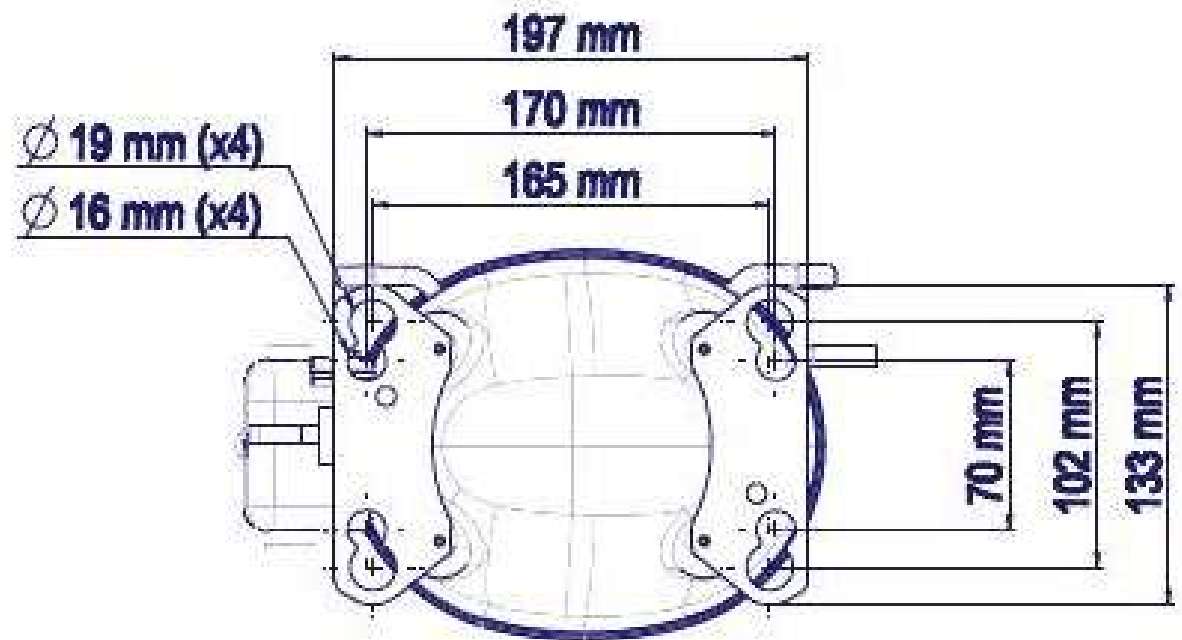


DWG04 - NE/VNE Series Universal Base Plate



	∅ mm	material
S - Suction	8.03 - 8.10	Cu
P - Process	6.45 - 6.55	Cu
D - Discharge	6.45 - 6.55	Cu



CON08 - VNE (Frequency)

- 1- Fence cover
- 2- OLP bracket
- 3- 3/4 OLP
- 4- Cord anchorage
- 5- crew
- 6- Grommets
- 7- Compressor shell
- 8- Process tube
- 9- Discharge tube
- 10- Suction tube

