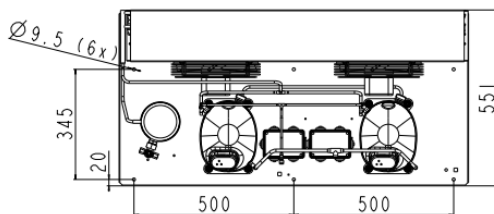
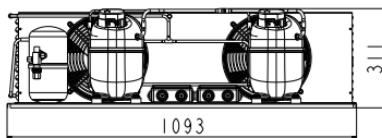


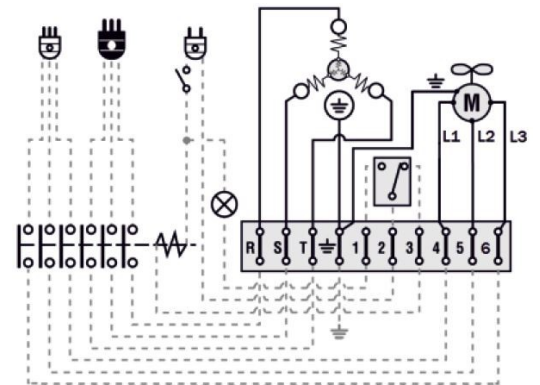
GENERAL DATA

Application:	M/HBP
Refrigerant:	R404A
Expansion Device:	C-V
Weight:	72.4 kg
Receiver:	2.3 liter
Voltage/Frequency:	380 - 420 V 50 ~
Height:	72.4 mm
Length:	551 mm
Width:	1093 mm
Institute Approvals:	CE

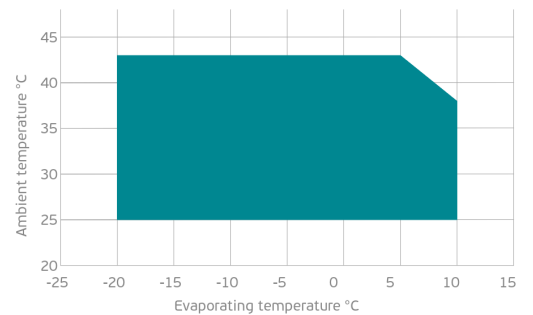
EXTERNAL DIMENSIONS



WIRING DIAGRAM



OPERATING ENVELOPE



COMPONENTS (SPARE PARTS)

valve_disch:	SOLDER 3/8"	2110049
compressor:	NJ9226GS	948LM95..AC

fankit:	S2D250-AH02-13	1996725
condenser:	4R11T	2451185

For additional accessories please contact our technical support

ELECTRICAL DATA

Motor Type: 3PH -
Locked Rotor Amperage (LRA): 20 A
Max.Current: 5.2 A

At maximum evaporating temperature and maximum ambient temperature.

FAN MOTOR

Number: 2 -
Shaft Power: 2 W
Air Flow: 3020 m³/h
Blade Diameter: - mm

PERFORMANCE CURVE DATA

Standard: EN13215-RG20 / return gas 20°C, subcooling 3K

50 Hz

	Evaporating Temperature (°C)	Cooling Capacity (W)	Power Consumption (W)	Current Consumption (A)	Efficiency (W/W)
25 °C Ambient Temperature	10°C	7 463	2 814	5.42	2.65
	5°C	6 678	2 543	4.91	2.63
	0°C	5 834	2 303	4.45	2.53
	-5°C	4 973	2 088	4.05	2.38
	Rated point -10°C	4 140	1 894	3.69	2.19
	-15°C	3 377	1 714	3.38	1.97
	-20°C	2 729	1 543	3.11	1.77
32 °C Ambient Temperature	10°C	6 794	2 910	5.60	2.34
	5°C	6 074	2 627	5.06	2.31
	0°C	5 297	2 378	4.59	2.23
	-5°C	4 508	2 156	4.17	2.09
	Rated point -10°C	3 748	1 956	3.80	1.92
	-15°C	3 062	1 773	3.49	1.73
	-20°C	2 493	1 600	3.21	1.56
43 °C Ambient Temperature	5°C	5 156	2 811	5.40	1.83
	0°C	4 450	2 540	4.88	1.75
	-5°C	3 734	2 300	4.43	1.62
	Rated point -10°C	3 054	2 085	4.03	1.47
	-15°C	2 452	1 889	3.70	1.30
	-20°C	1 972	1 707	3.41	1.16