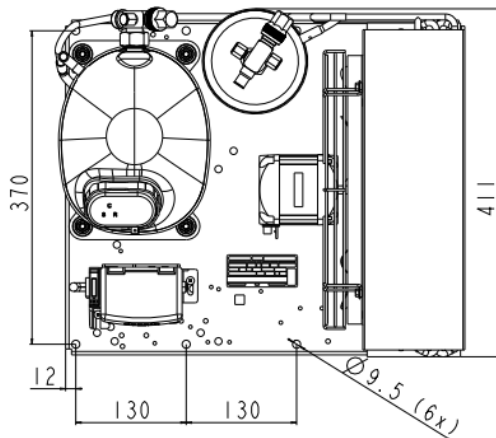
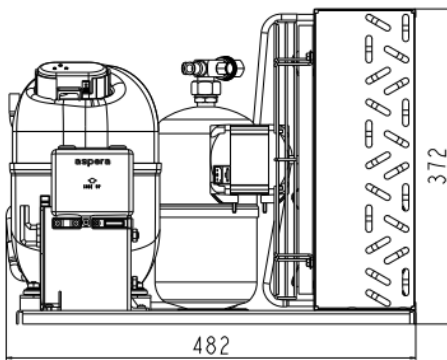


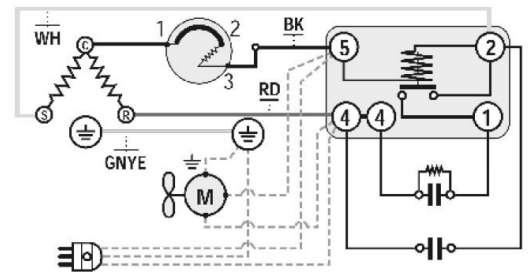
GENERAL DATA

Application:	M/HBP
Refrigerant:	R404A
Expansion Device:	C-V
Weight:	36.4 kg
Receiver:	2.3 liter
Voltage/Frequency:	230 V 50 ~
Height:	36.4 mm
Length:	482 mm
Width:	411 mm
Institute Approvals:	CE

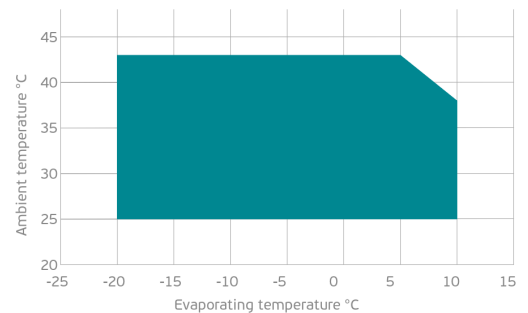
EXTERNAL DIMENSIONS



WIRING DIAGRAM



OPERATING ENVELOPE



COMPONENTS (SPARE PARTS)

valve_disch:	SOLDER 3/8"	2110049
condenser:	3R14T	2451221
elkit:	ELKOM NJ9226GK	944LV1104A

valve_suca:	SOLDER 5/8"	2110054
fankit:	34W 300/28/5B	1996585
compressor:	NJ9226GK	944LV19..AC

For additional accessories please contact our technical support

ELECTRICAL DATA

Motor Type: CSR -
Locked Rotor Amperage (LRA): 27.5 A
Max.Current: 7.37 A

At maximum evaporating temperature and maximum ambient temperature.

FAN MOTOR

Number: 1 -
Shaft Power: 34 W
Air Flow: 700 m³/h
Blade Diameter: 300 mm

PERFORMANCE CURVE DATA

Standard: EN13215-RG20 / return gas 20°C, subcooling 3K

50 Hz

	Evaporating Temperature (°C)	Cooling Capacity (W)	Power Consumption (W)	Current Consumption (A)	Efficiency (W/W)
25 °C Ambient Temperature	10°C	3 386	1 496	6.90	2.26
	5°C	2 984	1 367	6.30	2.18
	0°C	2 598	1 244	5.75	2.09
	-5°C	2 232	1 127	5.25	1.98
	Rated point -10°C	1 888	1 018	4.78	1.85
	-15°C	1 567	919	4.36	1.71
	-20°C	1 273	831	3.99	1.53
32 °C Ambient Temperature	10°C	3 075	1 542	7.11	1.99
	5°C	2 713	1 410	6.50	1.93
	0°C	2 365	1 282	5.93	1.84
	-5°C	2 033	1 161	5.40	1.75
	Rated point -10°C	1 719	1 049	4.93	1.64
	-15°C	1 425	947	4.50	1.50
	-20°C	1 155	857	4.11	1.35
43 °C Ambient Temperature	5°C	2 491	1 470	6.77	1.69
	0°C	2 169	1 334	6.15	1.63
	-5°C	1 859	1 206	5.59	1.54
	Rated point -10°C	1 561	1 087	5.08	1.44
	-15°C	1 279	979	4.62	1.31
	-20°C	1 015	884	4.22	1.15