

380-420V 50 / 440-480V 60Hz 3~**GENERAL DATA****Application:** M/HBP**Refrigerant:** R404A**Evaporating Temperature Range:** -20°C to 10°C**Compressor Cooling:** Fan**Fan air flow:** 800 m³/h**Type:** Hermetic reciprocating**Technology Type:** On-Off**Expansion Device:** Capillary Tube or Expansion Valve**Packing Quantity:** Single - 1 pc**Displacement:** 26.1 cm³**Horse power:** 1.5 hp
Approvals:





MECHANICAL DATA**Bore:** 41.77 mm**Stroke:** 19.07 mm**Oil Charge:** 750ml +/-15ml**Free Internal Volume:** 3.9 cm³**Maximum Recommended Refrigerant Charge:** 800 g**Oil Type Configuration:** Polyolester**Oil Type Viscosity:** ISO22**Compressor pressurization:** Dry air charge**Weight:** 20 kg**ELECTRICAL DATA****Motor Type:** 3PHASE**Starting Torque:** HST**Voltage working range at 50 Hz:** 332-445 V**Voltage working range at 60 Hz:** 396-509 V**Maximum Motor Temperature:** 130 °C**Run Winding Resistance:** 15.1 Ω (± 10%) at 25°C**MOUNTING ACCESSORIES**

	Description	Code
Cover:	yes	2075281
Terminal Board:	no	-
Anchorage:	no	-
Overload Protector Bracket:	no	-
Capacitor Bracket:	no	-
Grommets:	yes	2221004
Sleeves:	yes	2222016
Washer:	no	-
Pin:	no	-
Clip:	no	-
Rotolock valve:	no	-

ELECTRICAL COMPONENTS

	Component type	Description	Code
Motor Protection:	Internal		34HM207

EXTERNAL CHARACTERISTICS**Base Plate:** Large**Tray Holder:** No**Height:** 276 mm

	Internal Diameter (mm)	Material	Shape
Suction Connector	12.77	Copper	Vertical
Discharge Connector	8	Copper	Slanted 65°
Process Connector	6.42	Copper	Vertical



RATED POINT DATA

Cooling Capacity (W)	Power Consumption (W)	Current Consumption (A)	Gas Flow Rate (kg/h)	Efficiency (W/W)
±5%	±5%	±5%	±5%	±7%
4 813	1 867	3.27	134.24	2.58

Test condition: ASHRAE, Fan, Return Gas 35°C, Subcooling 8.3K, Evaporating: 7.2°C, Condensing: 54°C, Ambient: 35°C

PERFORMANCE CURVE DATA

380V 50Hz

Condensing Temperature (°C)	Evaporating Temperature (°C)	Cooling Capacity (W)	Power Consumption (W)	Current Consumption (A)	Gas Flow Rate (kg/h)	Efficiency (W/W)
35°C		±5%	±5%	±5%	±5%	±7%
	10	7 243	1 561	2.84	164.67	4.64
	5	6 045	1 495	2.80	135.97	4.04
	0	4 976	1 419	2.68	110.83	3.51
	-5	4 037	1 334	2.52	89.13	3.03
	-10	3 227	1 240	2.33	70.72	2.60
	-15	2 547	1 138	2.13	55.48	2.24
-20	1 996	1 027	1.94	43.25	1.94	

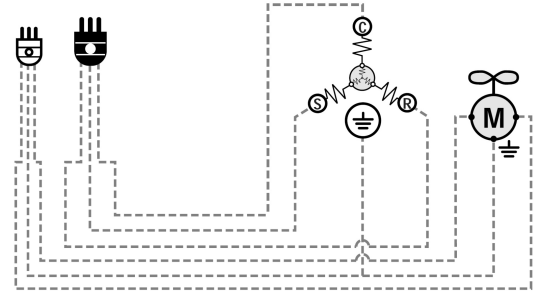
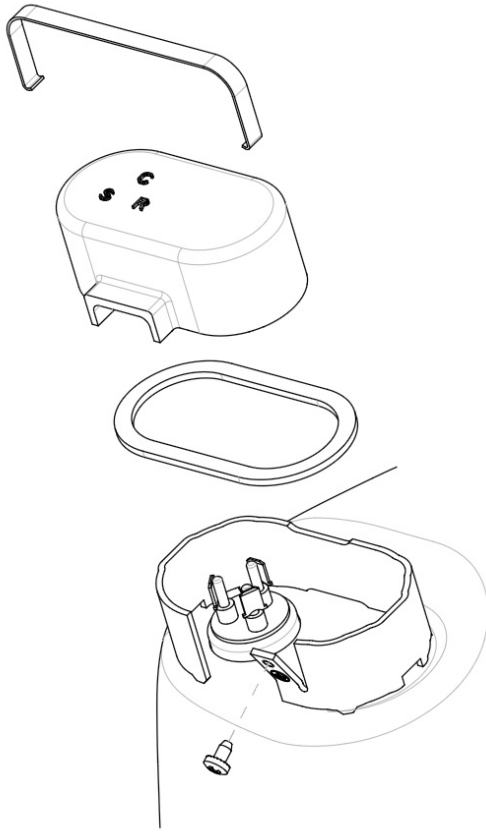
Condensing Temperature (°C)	Evaporating Temperature (°C)	Cooling Capacity (W)	Power Consumption (W)	Current Consumption (A)	Gas Flow Rate (kg/h)	Efficiency (W/W)
45°C		±5%	±5%	±5%	±5%	±7%
	10	6 245	1 763	3.10	157.31	3.54
	5	5 212	1 653	3.00	129.82	3.15
	0	4 288	1 539	2.84	105.68	2.79
	-5	3 471	1 422	2.64	84.75	2.44
	-10	2 762	1 302	2.41	66.88	2.12
	-15	2 160	1 178	2.19	51.95	1.83
-20	1 666	1 051	1.98	39.82	1.58	

Condensing Temperature (°C)	Evaporating Temperature (°C)	Cooling Capacity (W)	Power Consumption (W)	Current Consumption (A)	Gas Flow Rate (kg/h)	Efficiency (W/W)
55°C		±5%	±5%	±5%	±5%	±7%
	10	5 211	1 972	3.38	148.40	2.64
	5	4 348	1 818	3.22	122.24	2.39
	0	3 571	1 665	3.01	99.21	2.15
	-5	2 881	1 514	2.76	79.15	1.90
-10	2 276	1 366	2.50	61.95	1.67	

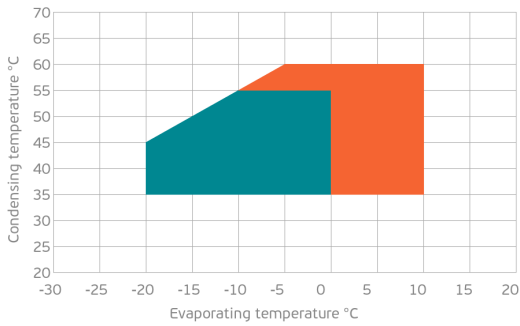
Test condition: ASHRAE, Fan, Return Gas 35°C, Subcooling 8.3K, Ambient: 35°C

ASSEMBLY INSTRUCTION

WIRING DIAGRAM

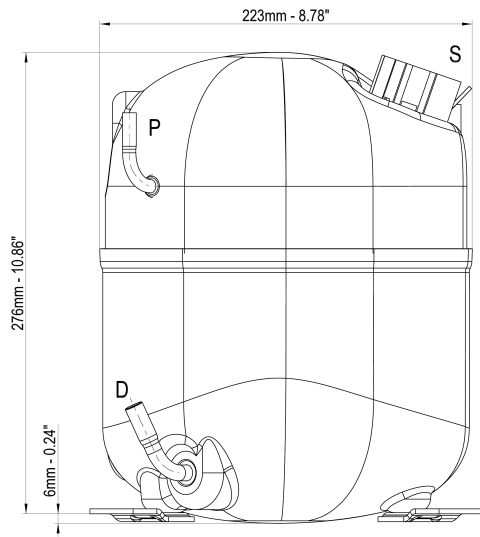


OPERATING ENVELOPE



- Operating Condition
- Transient Condition
- Superheating

NOTE: usage of compressors outside of intended working range cannot make use of the warranty, or should be consulted with Technical support.



	∅ mm	∅ in	Material
S - Suction	12.77 - 12.85	0.50	Cu
P - Process	8.00 - 8.07	0.31	Cu
D - Discharge	6.42 - 6.50	0.25	Cu

