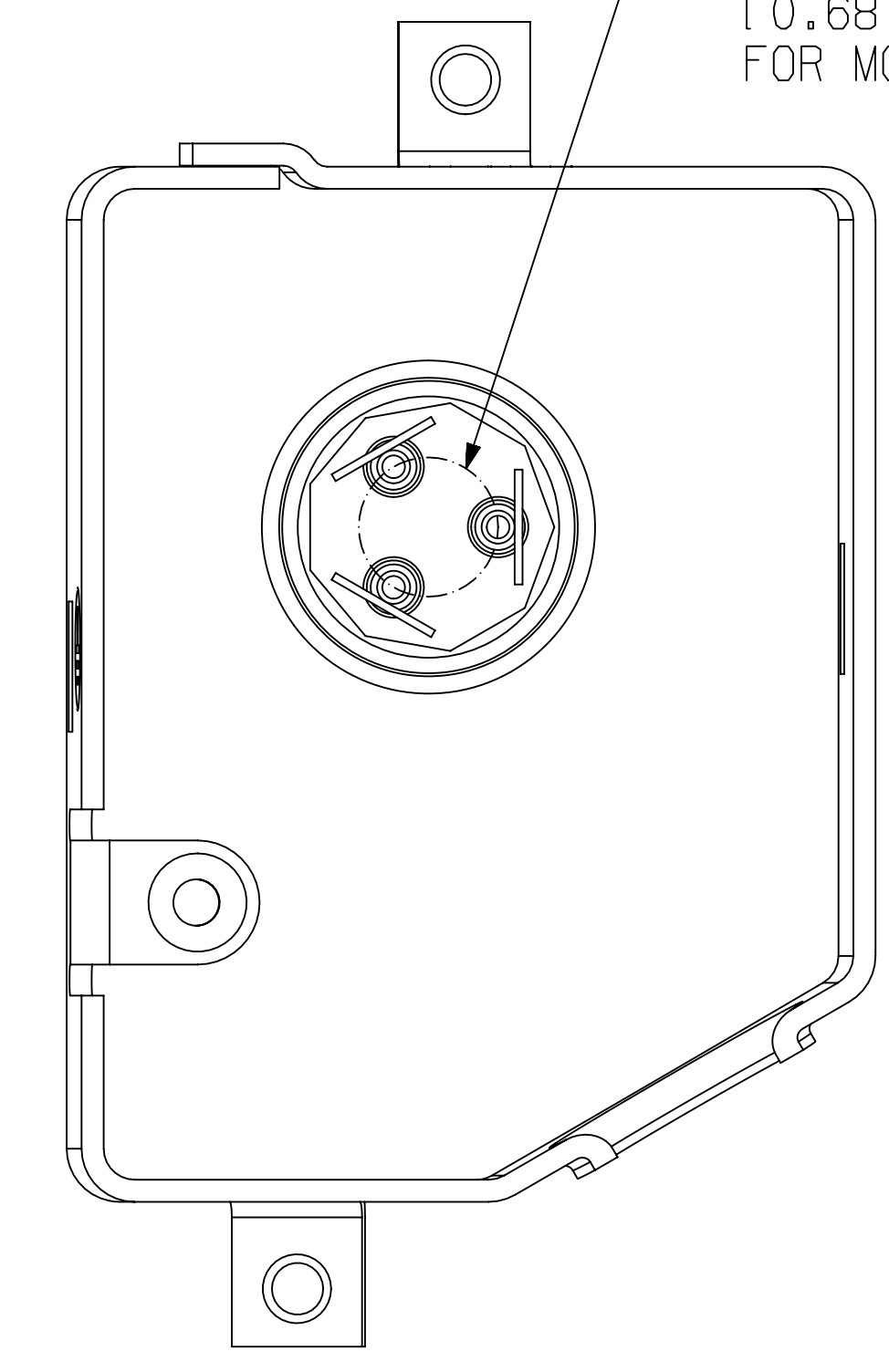
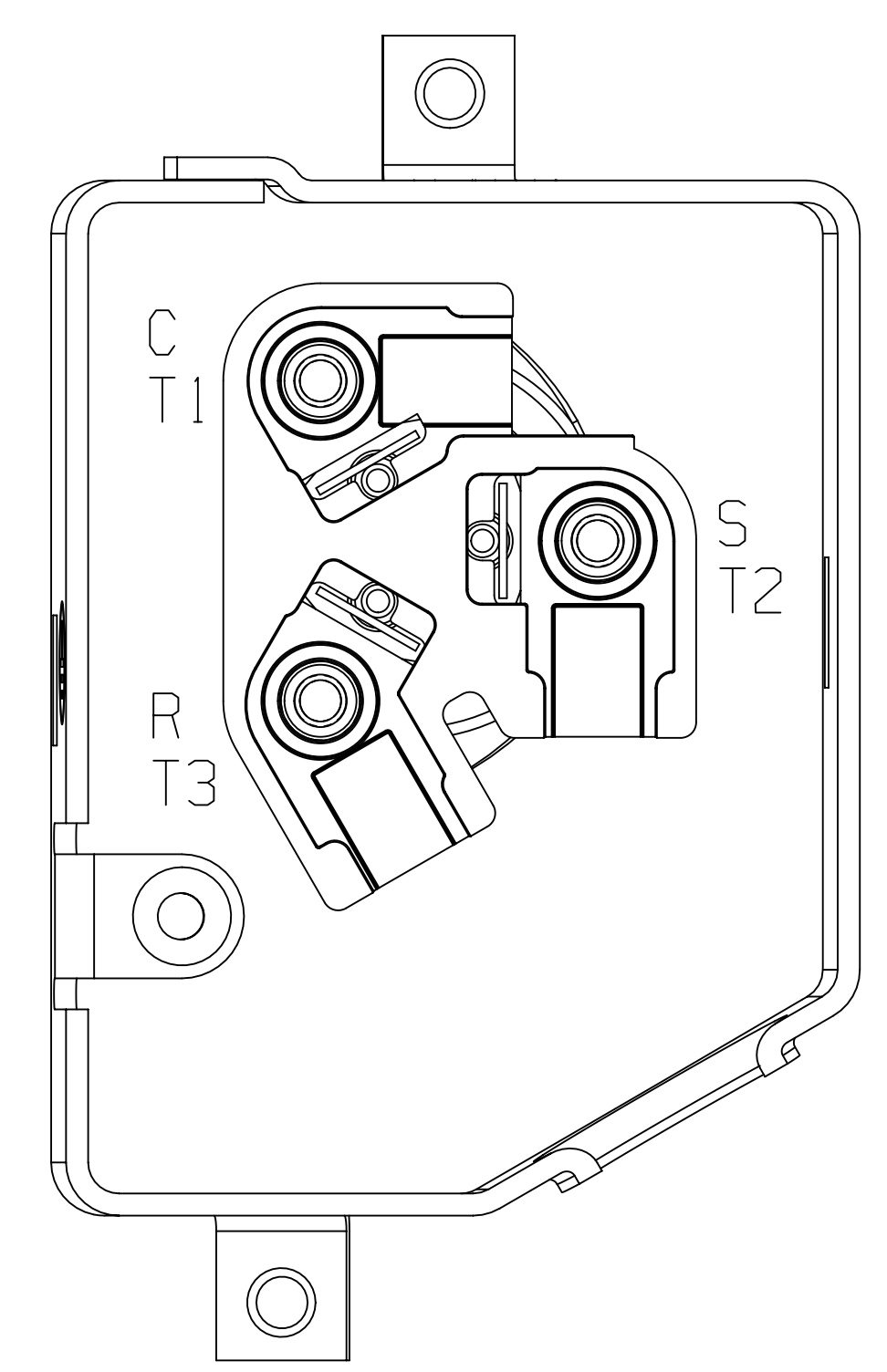
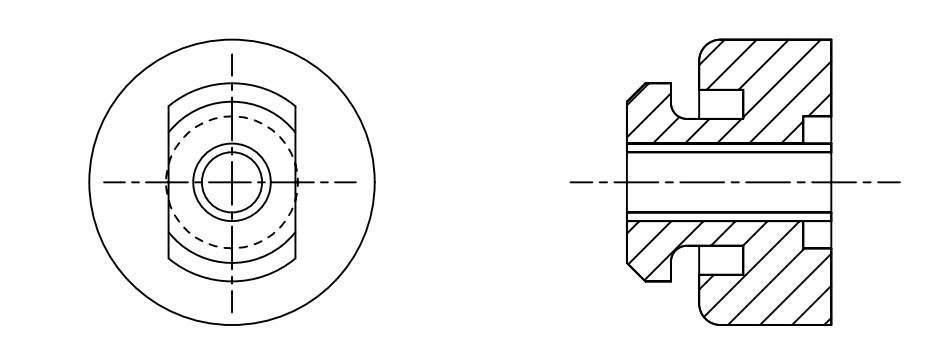


MODEL NUMBER	
22	ZP54K5E - PFJ/PFV/TF5/TF7/TFD
19	ZP51K5E - PFV/TF5/PFJ/TF7/TFD
18	ZP54K5E - TFM/PFZ/TFD/TF5/TF7
19	ZP51K5E - PFZ/TFM/TFD/TF5/TF7
18	ZP49K5E - PFV/TF5/TFD/TF7
20	ZP49K5E - TFM/TF7/PFV/TF5/TFD
21	ZP51K5E - TF5

SPECIFICATIONS	
ES NO.	DESCRIPTION
ES92-155	CONVERSION-METRIC

- NOTE:
- ALL TOLERANCE ± 1.50 [0.060] UNLESS OTHERWISE SPECIFIED.
 - THE SUCTION TUBE, DISCHARGE TUBE, RADIAL DIMENSIONS ARE TO BE GAUGED FROM THE CENTER OF THE MOUNTING HOLE PATTERN.
 - TUBE ENDS MUST BE PLUGGED.
 - MOUNTING KIT :

GROMMET DUROMETER	4 FOOT KIT
35-45	527-0116-00

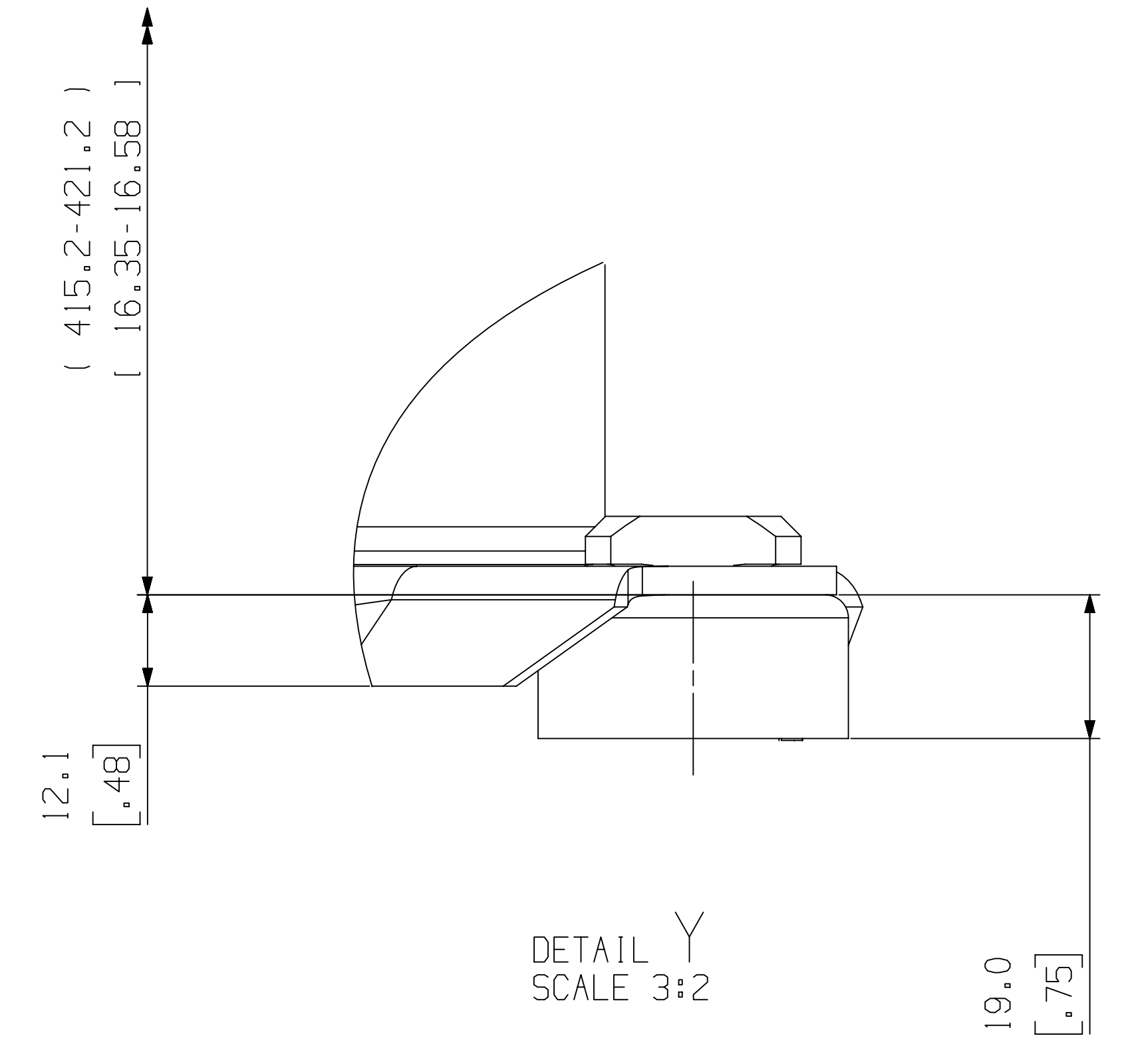
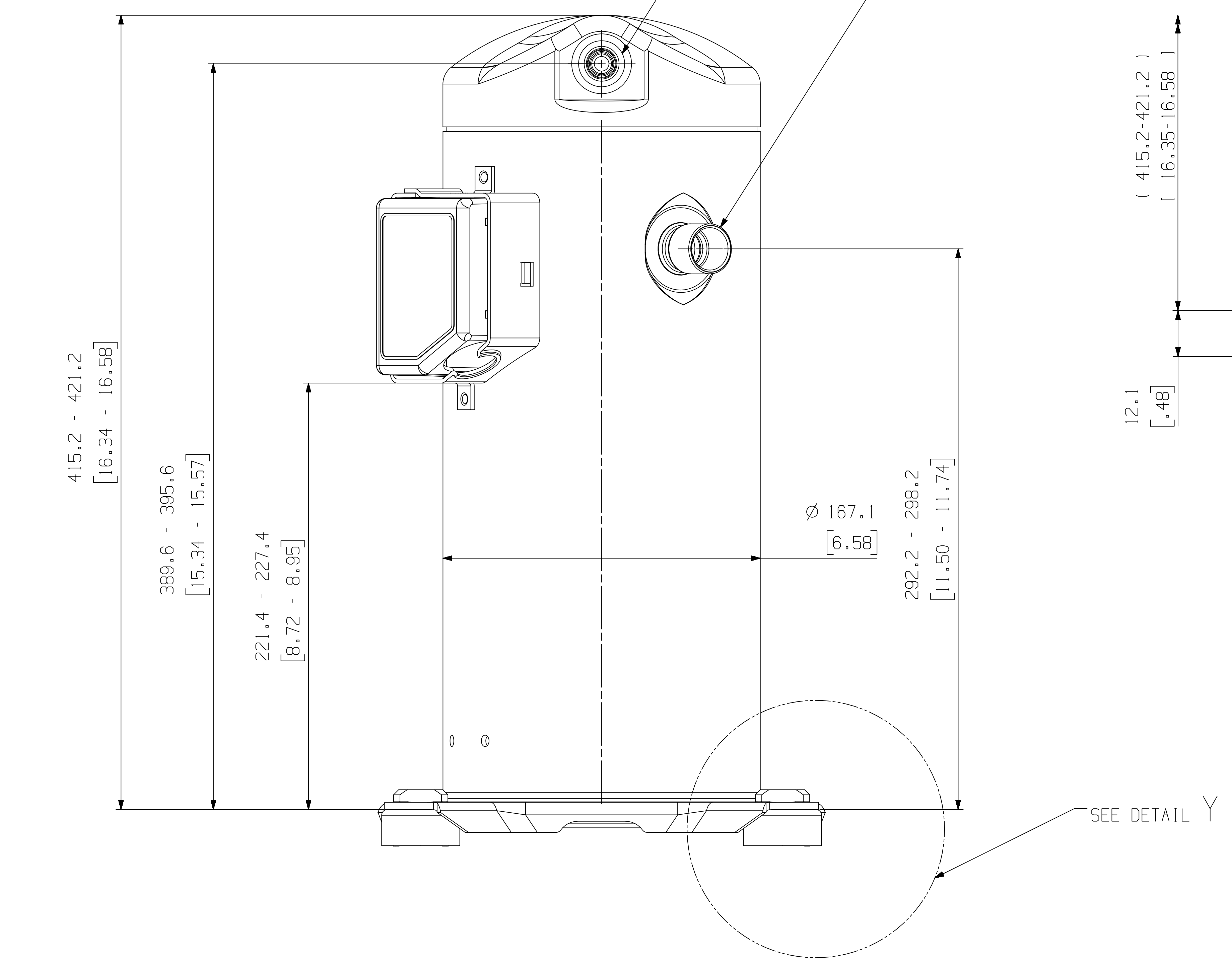


T'BOX LAYOUT
OPTIONAL
SCALE 3:2

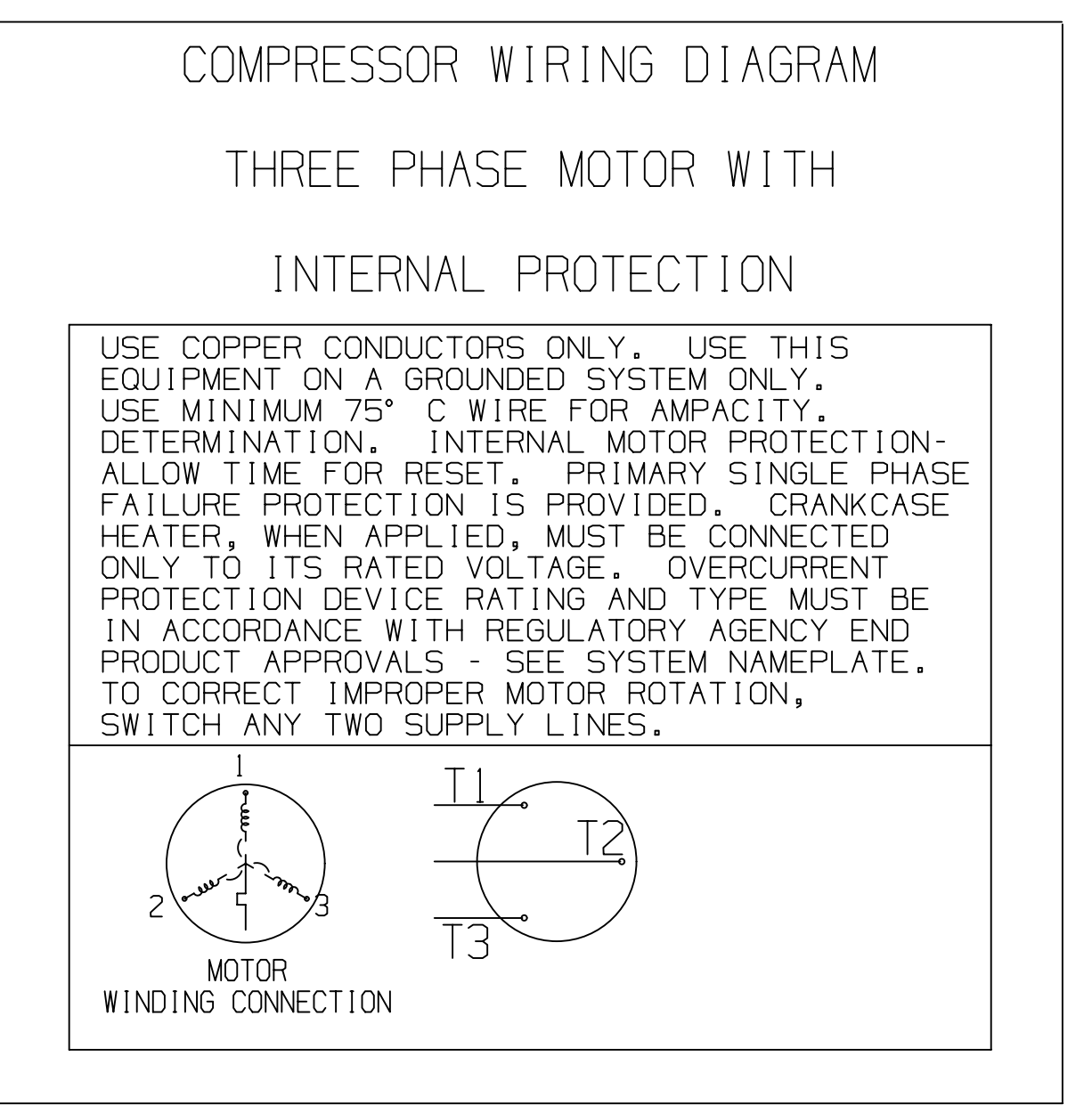
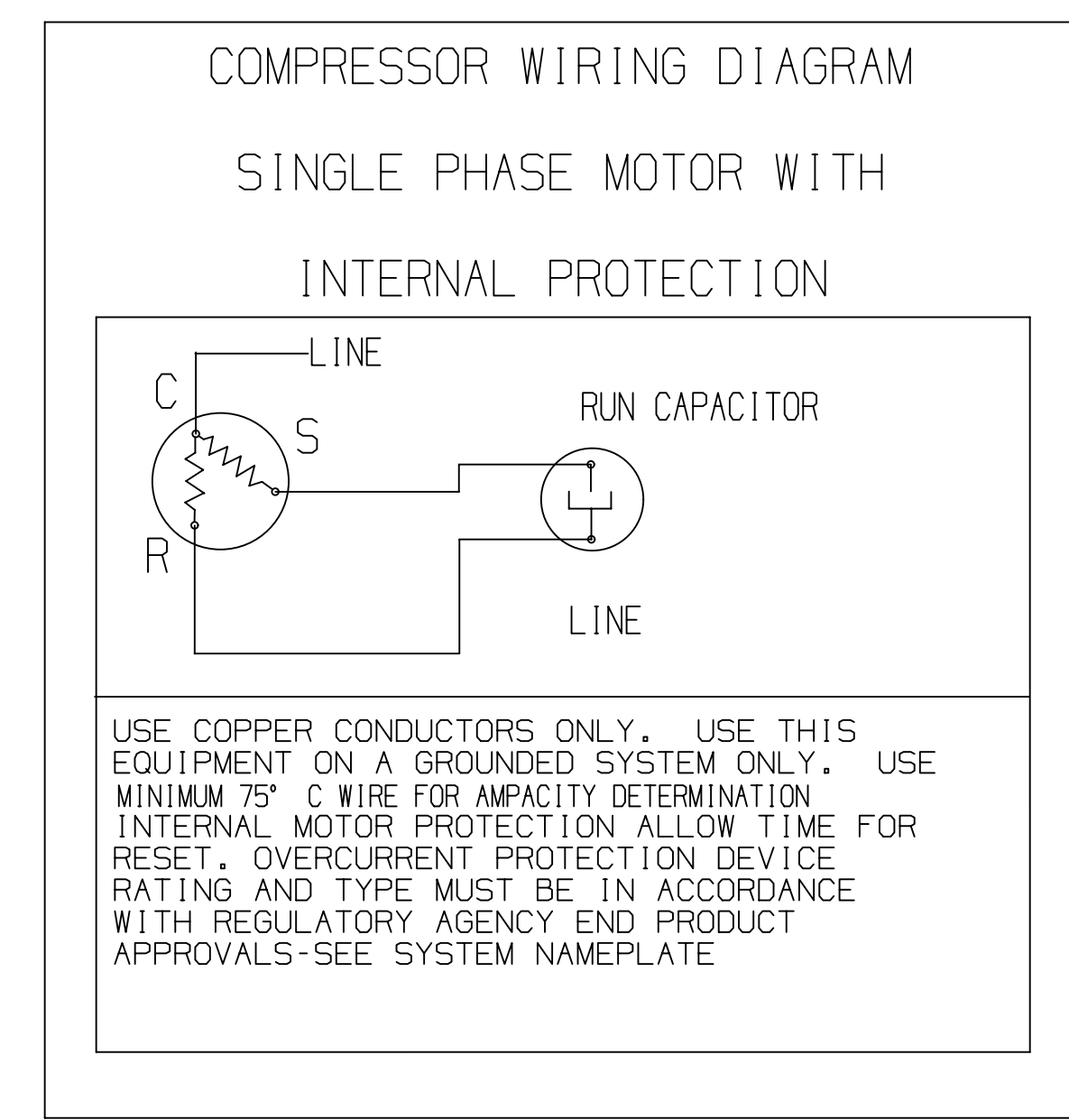
T'BOX LAYOUT
STANDARD
SCALE 3:2

Ø 12.78-12.95 I.D.
[0.504-0.509]
▽ 10.10 [0.398] MIN.
0.038 [0.0015] MIN THICK EXTERIOR AND
0.038 [0.0015] MIN THICK INTERIOR
COPPER PLATED STEEL DISCHARGE FITTING.

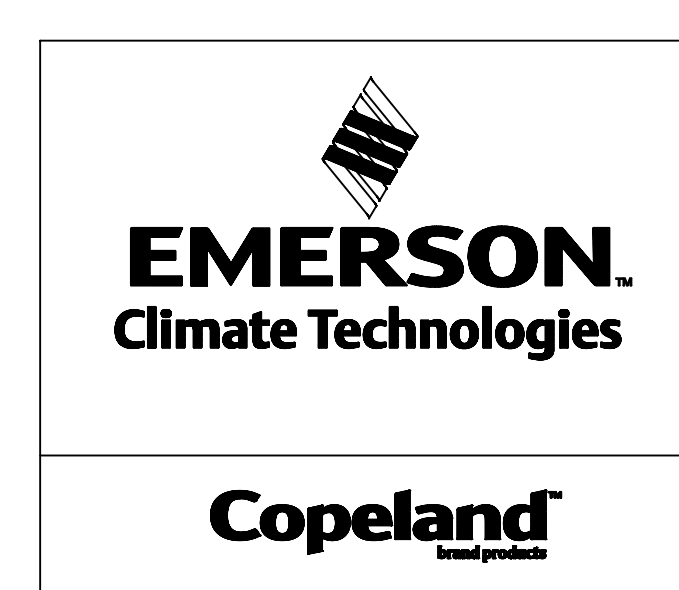
Ø 22.30-22.48 I.D.
[0.878-0.885]
▽ 19.9 [0.78] MIN.
0.038 [0.0015] MIN THICK EXTERIOR AND
0.038 [0.0015] MIN THICK INTERIOR
COPPER PLATED STEEL SUCTION FITTING



DETAIL Y
SCALE 3:2



ECN	REV.	DESCRIPTION	DATE	BY	CHK	APPR
ECN308152	22	REMOVED ZP54K5E - TF5	07-13-18	SZ	ZH	AW
ECN301015	21	ADDED ZP51K5E - TF5	05-16-17	SZ	LG	AW
ECN100761	20	ADDED ZP49K5E - TFD	02-15-15	AZ	LG	AW
ECN008700	19	ADDED MODEL NUMBER	09-12-14	CYZ	LG	AW
ECN008287	18	REDRAWN, ADDED MODEL NUMBER	05-22-14	CYZ	AW	WS
32-0308-079	0	RELEASED	03-31-10	SVK	MA	RST



INTERPRET PER ASME Y14.5M-1994 AND EMERSON CLIMATE TECHNOLOGIES, INC. DESIGN STANDARDS DS2002
DO NOT SCALE DRAWING
CRITICAL PRODUCT CHARACTERISTICS
UNLESS OTHERWISE SPECIFIED DIMENSIONS ARE MILLIMETER OR (1 INCH)
TOLERANCES:
1-PLACE :
2-PLACE :
ANGULAR :

MATERIAL SPECIFICATION		SUPERSEDES DWG. NO. / REV. NO.	
N/A		CYZ	497-0580-00/17
		DATE	DATE FORMAT :
		12-22-06	MM-DD-YY
		SCALE	3:4
		TITLE	REF DWG-WELD COMP ASSM.
		DRAWN BY	SVK
		CHECKED BY	MA
		DATE	03-31-10
		REVISED BY	SVK
		DATE	03-31-10
		REVISED BY	MA
		DATE	03-31-10
		REVISED BY	RST
		DATE	03-31-10

24

THIS DRAWING AND INFORMATION CONTAINED HEREIN ARE THE EXCLUSIVE PROPERTY OF EMERSON CLIMATE TECHNOLOGIES, INC. AND SHALL BE RETURNED UPON DEMAND AND NOT BE REPRODUCED IN WHOLE OR IN PART, EITHER ORALLY OR IN WRITING, WITHOUT THE WRITTEN CONSENT OF EMERSON CLIMATE TECHNOLOGIES, INC.