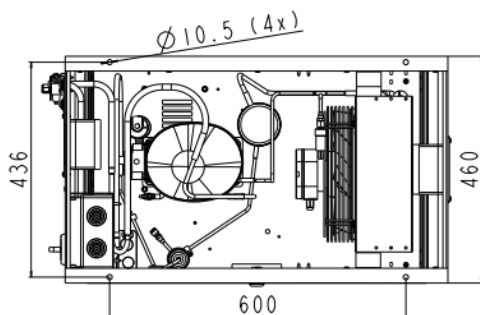
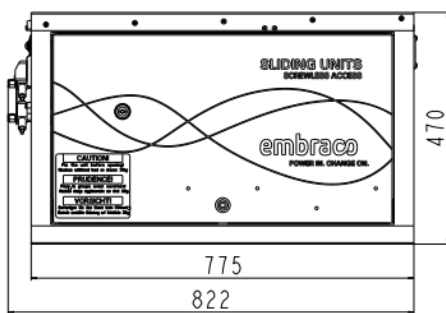


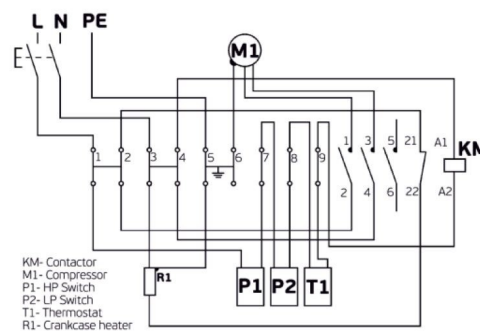
### GENERAL DATA

<b>Application:</b>	M/HBP
<b>Refrigerant:</b>	R134a
<b>Expansion Device:</b>	C-V
<b>Weight:</b>	65 kg
<b>Receiver:</b>	1.1 liter
<b>Voltage/Frequency:</b>	220 - 240 V 50 ~
<b>Height:</b>	65 mm
<b>Length:</b>	822 mm
<b>Width:</b>	460 mm
<b>Institute Approvals:</b>	<b>CE</b>

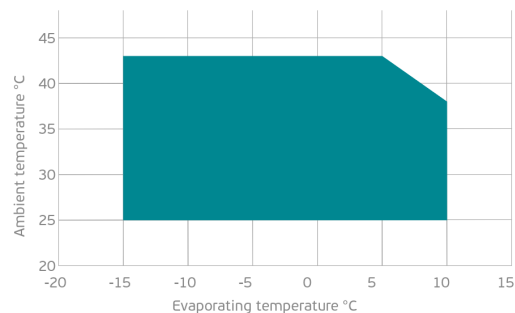
### EXTERNAL DIMENSIONS



### WIRING DIAGRAM



### OPERATING ENVELOPE



### COMPONENTS (SPARE PARTS)

<b>condenser:</b>	3R11T	2451206	<b>dryer:</b>	FILTER DRYER 6MM ODF	2730006
<b>sightglass:</b>	SIGHT GLASS 6MM ODF	2464031	<b>hpressostat:</b>	P100CP-102D	2466033
<b>lpressostat:</b>	PS1-A3K	2466036	<b>compressor:</b>	NEK6210Z	268BA51..AN
<b>elkit:</b>	ELKOM NEK6210Z	268BA51N1A	<b>fankit:</b>	AXIAL FAN 230V/50HZ/1PH	1996726
<b>heater:</b>	CRANKCASE HEATER 230V/40W	2464205	<b>flexihose:</b>	FLEXI HOSE 10MM ODF	2464241
<b>valve_suca:</b>	SOLDER 3/8"	2110119	<b>valve_disch:</b>	SOLDER 1/4"	2110120

For additional accessories please contact our technical support

**ELECTRICAL DATA**

**Motor Type:** CSIR -  
**Locked Rotor Amperage (LRA):** 19.5 A  
**Max.Current:** 2.78 A

At maximum evaporating temperature and maximum ambient temperature.

**FAN MOTOR**

**Number:** 1 -  
**Shaft Power:** - W  
**Air Flow:** 840 m<sup>3</sup>/h  
**Blade Diameter:** 250 mm

**PERFORMANCE CURVE DATA**

Standard: EN13215-RG20 / return gas 20°C, subcooling 3K

50 Hz

	Evaporating Temperature (°C)	Cooling Capacity (W)	Power Consumption (W)	Current Consumption (A)	Efficiency (W/W)
<b>25 °C</b> Ambient Temperature	10°C	1 333	528	3.03	2.53
	5°C	1 140	476	2.86	2.39
	0°C	963	430	2.70	2.24
	-5°C	802	389	2.57	2.06
	Rated point -10°C	656	353	2.47	1.86
	-15°C	527	322	2.39	1.64
<b>32 °C</b> Ambient Temperature	10°C	1 212	544	3.13	2.23
	5°C	1 036	491	2.94	2.11
	0°C	875	444	2.78	1.97
	-5°C	728	401	2.65	1.81
	Rated point -10°C	596	364	2.55	1.64
	-15°C	479	331	2.47	1.45
<b>43 °C</b> Ambient Temperature	5°C	872	532	3.07	1.64
	0°C	731	479	2.87	1.53
	-5°C	602	431	2.71	1.40
	Rated point -10°C	487	387	2.58	1.26
	-15°C	385	348	2.47	1.10