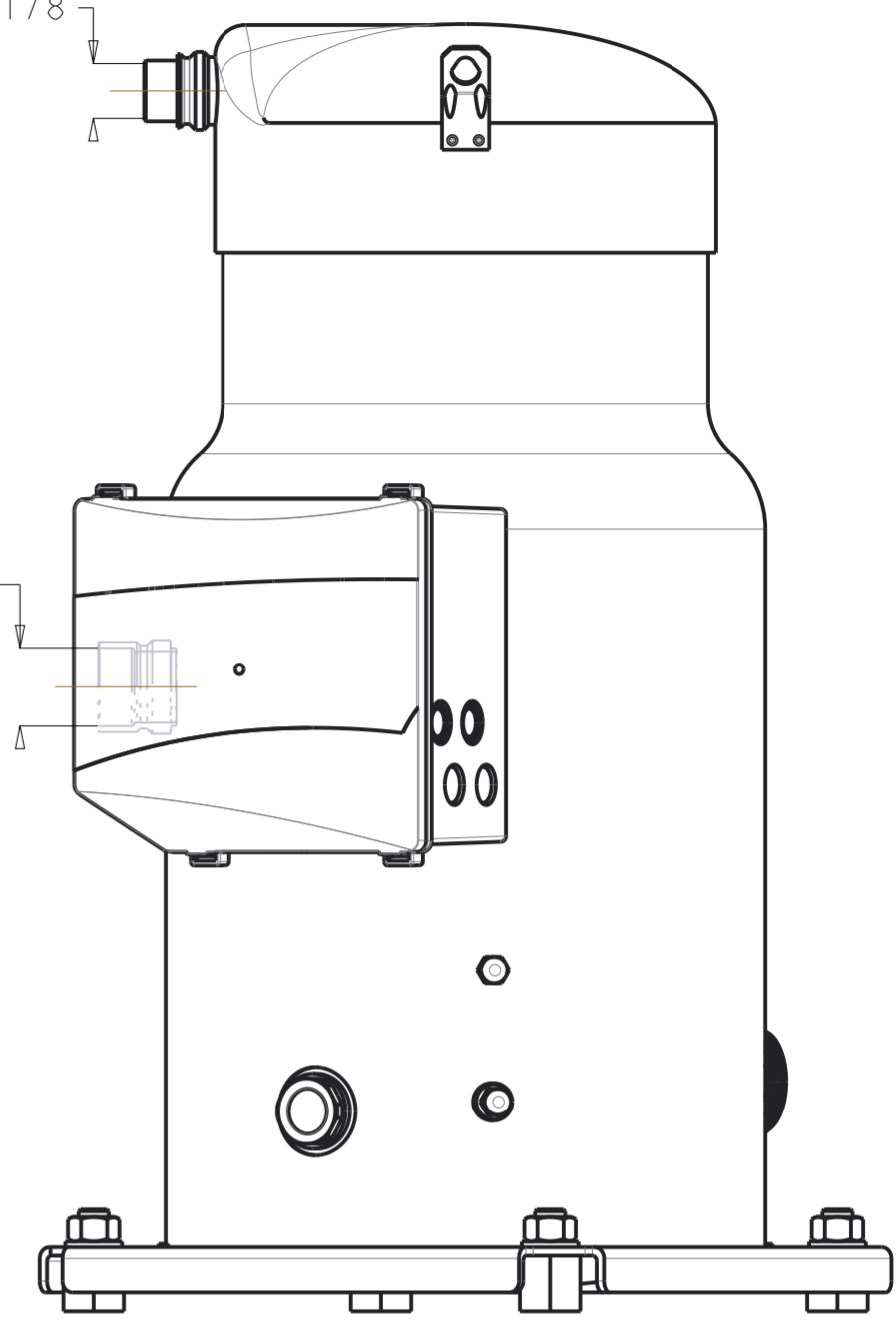
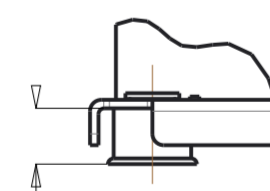


REFOULEMENT 1" 1/8
 / Discharge
 $\oplus \ominus \frac{1}{10} A/B$

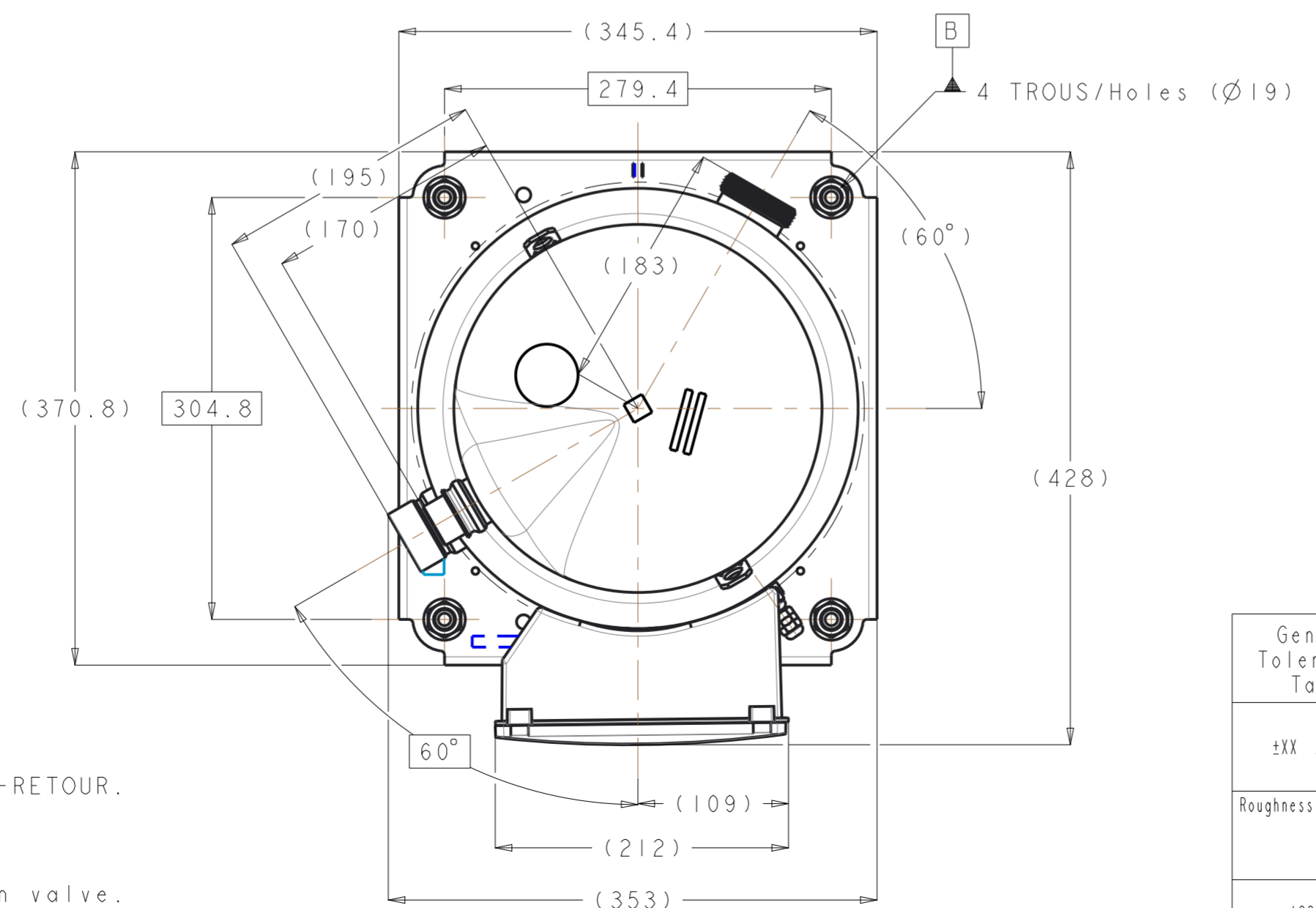
ASPIRATION 1" 5/8
 / Suction
 $\oplus \ominus \frac{1}{10} A/B$



PLOT CAOUTCHOUC
 / Rubber grommet



SANS COMPRESSION: (29.5)
 / Without compression
 AVEC COMPRESSION: (27.5)
 / With compression



REFERENCE PIECE / Part number
 8556089P01B

NOTE:
 1. COMPRESSEUR EQUIPE DE CLAPET ANTI-RETOUR.
 Note:
 1. Compressor equipped with non return valve.

| | | | | | | | |
|--------------------------|----------------------|--------------------------------|------------|---|---------------------|------------|---|
| General Tolerances Table | Drawing Status : | | | Production print | | | Key and Critical characteristics according to Danfoss standard 50220024 Material : See Notes Designation BRAZED OUTLINE SH/SJ180-240-295 DSH240-295 |
| | D | ECR-2014-6179 | 07/08/14 | Surface Area (m2) | Estimated Mass (Kg) | Projection | |
| ±XX ANG°:±° | C | ECR-2011-3191 | 14/04/11 | | 1/4 | A2 | Sheet 1 of 1 |
| | B | ECR-2010-2897 ECR-2010-2684 | 04/02/11 | | | | |
| Roughness (µm) | A | ECR-2010-2588 | 15/10/10 | Confidential: Property of Danfoss Commercial Compressors. Not to be handed over to copied or used by third party. Two or three dimensional reproduction of contents to be authorized by Danfoss CC. | | Dwg N° | 8556089 |
| | ISO 8015 ISO 1101 | Revision | ECR Number | Date | Approval | MEF | D |