

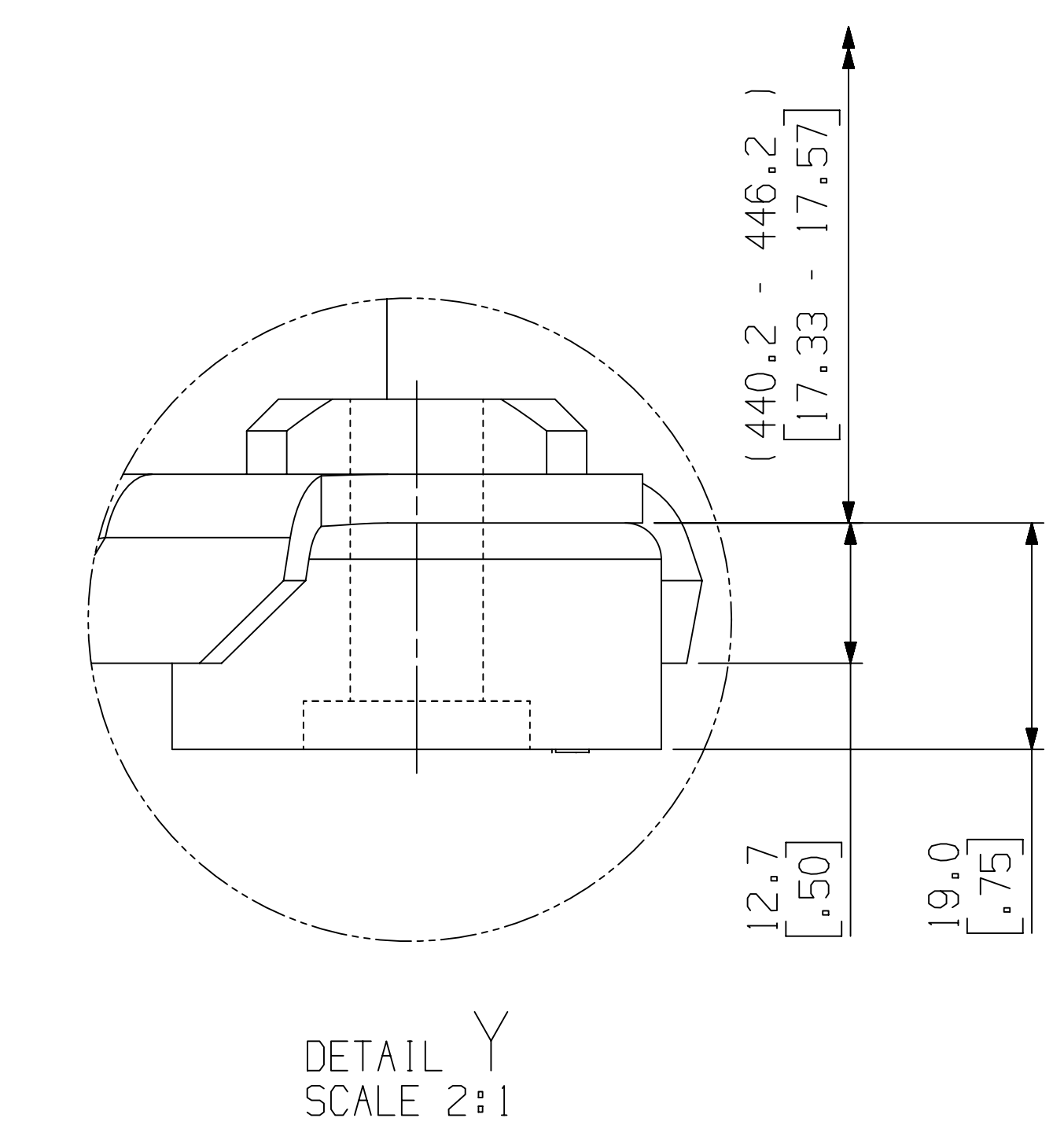
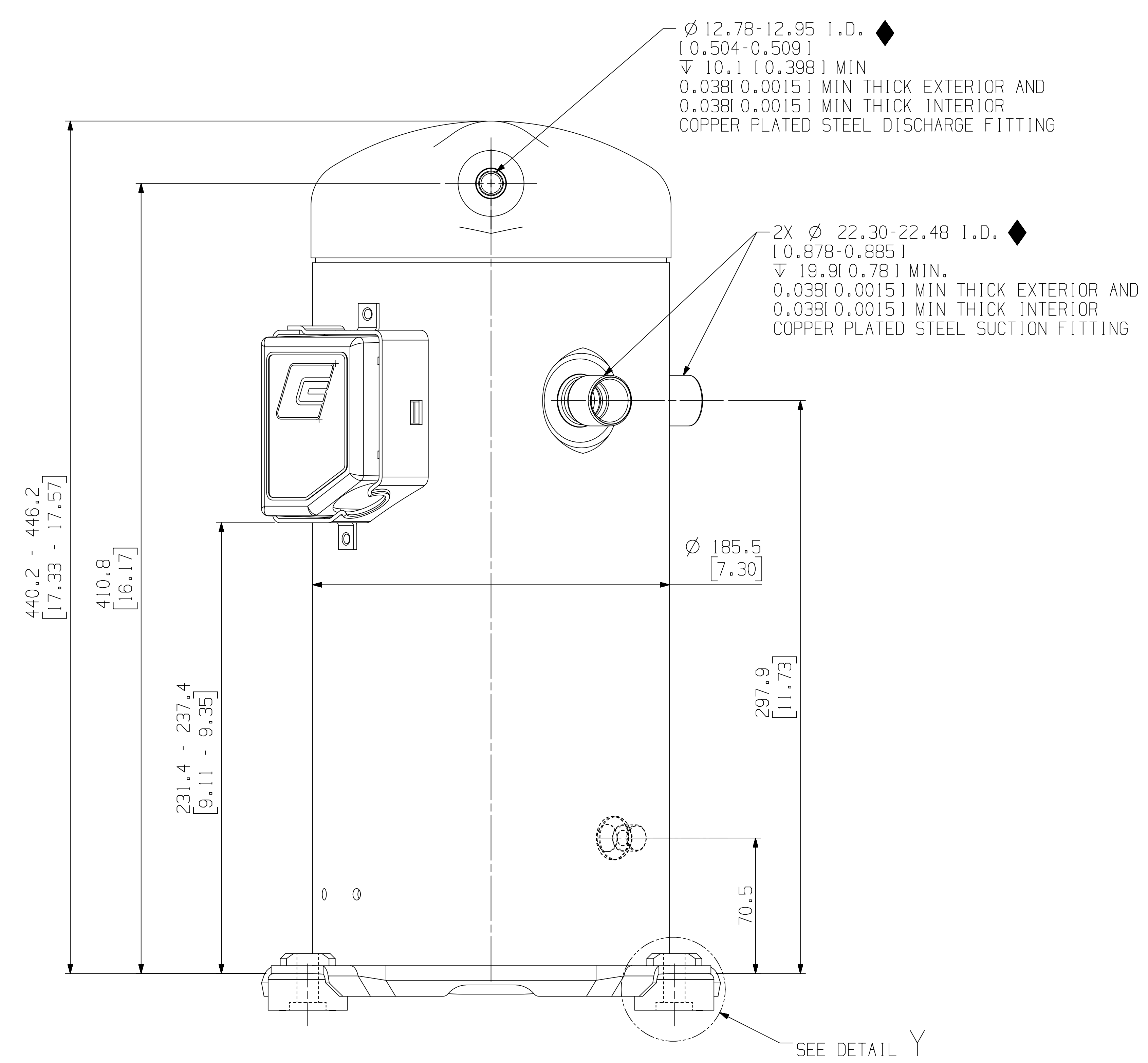
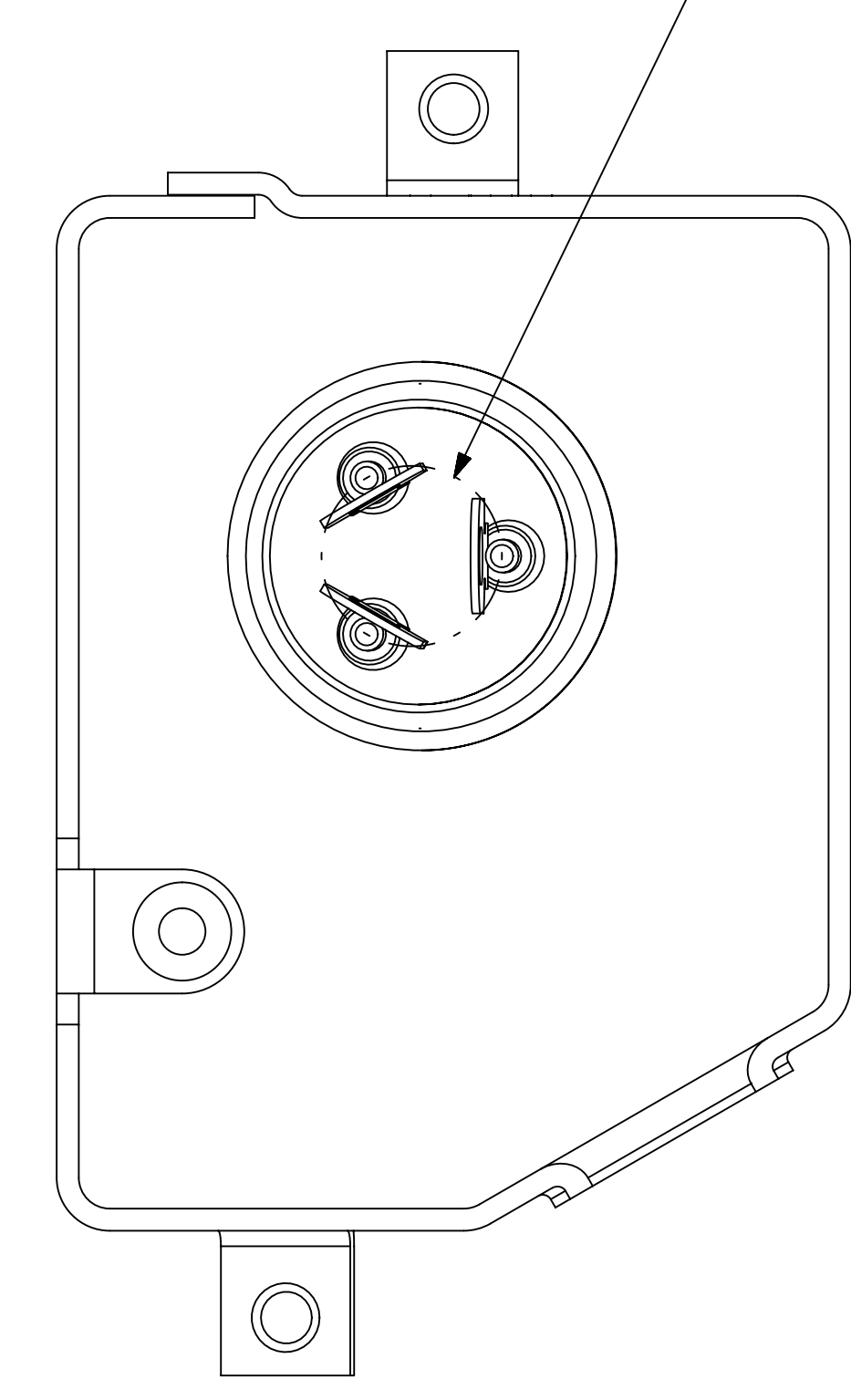
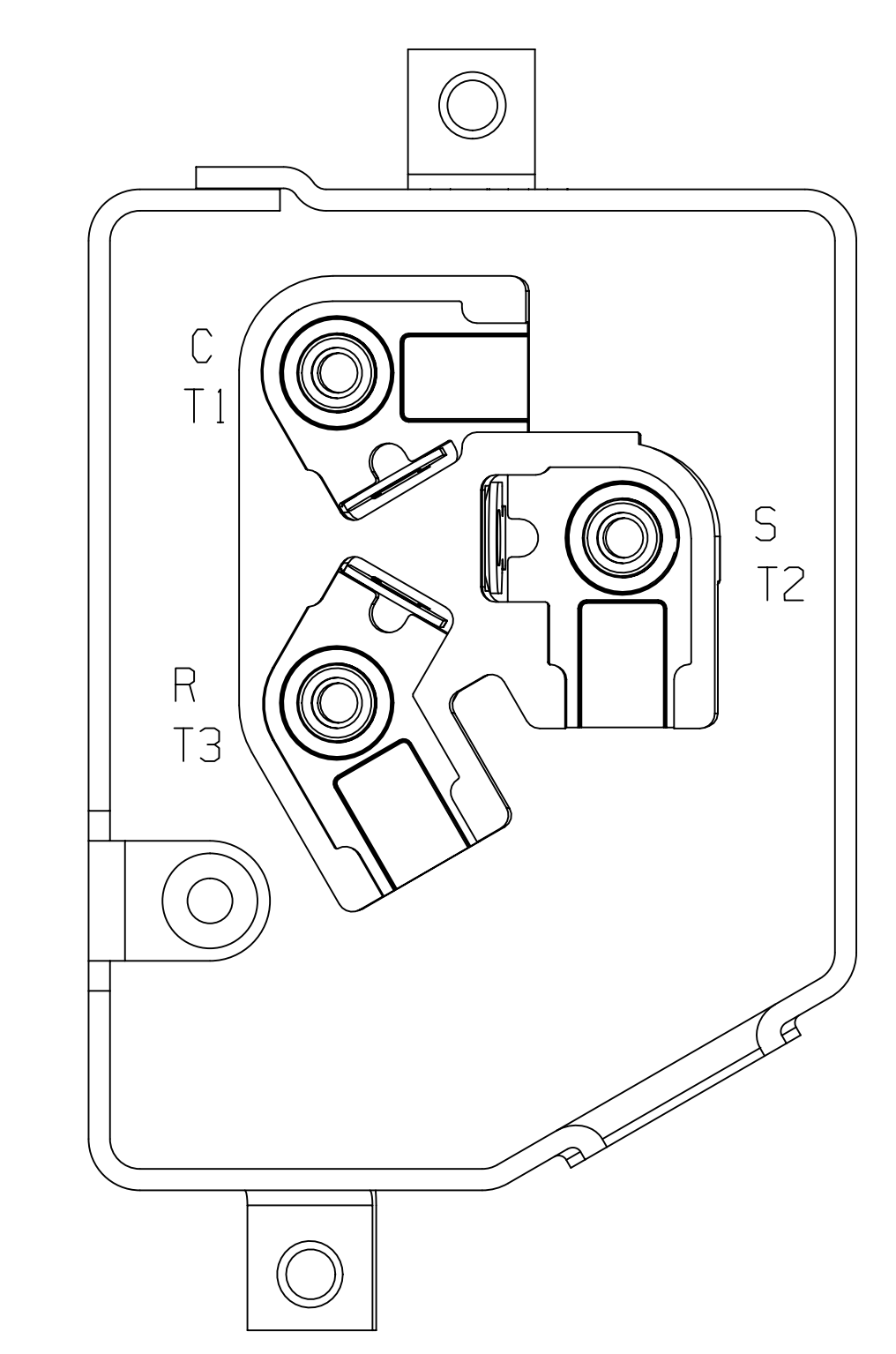
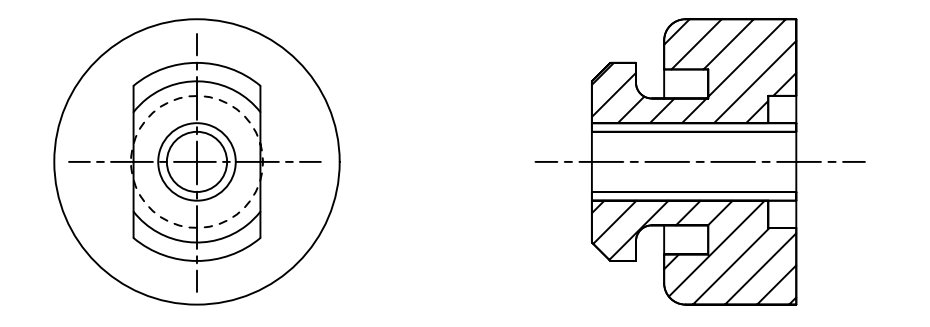
MODEL NUMBER
ZP50K3E-TFD,TF5,TFE
ZP54K3E-TFD,TF5,TF7,TFE
ZP57K3E-TFD,TF5,TF7,TFE,PFV
ZP61K3E-TFD,TF5,TF7,TFE
ZP67K3E-TFD,TFE,TF5,TF7
ZP72K3E-TFD,TF7,TF5,TFE
ZP83K3E-TFD,TFE,TF5,TF7
ZP76K3E-TFD/TFE/TF5/TF7
ZP72KTE-TFD
ZP83KFE-TFD

$\varnothing 17.46$ PIN CIRCLE
 [0.687]
 MODELS: TFD, TFE, TFM, TF7
 $\varnothing 13.46$ PIN CIRCLE
 [0.530]
 MODELS: PFV, PFJ, TFW, TF5

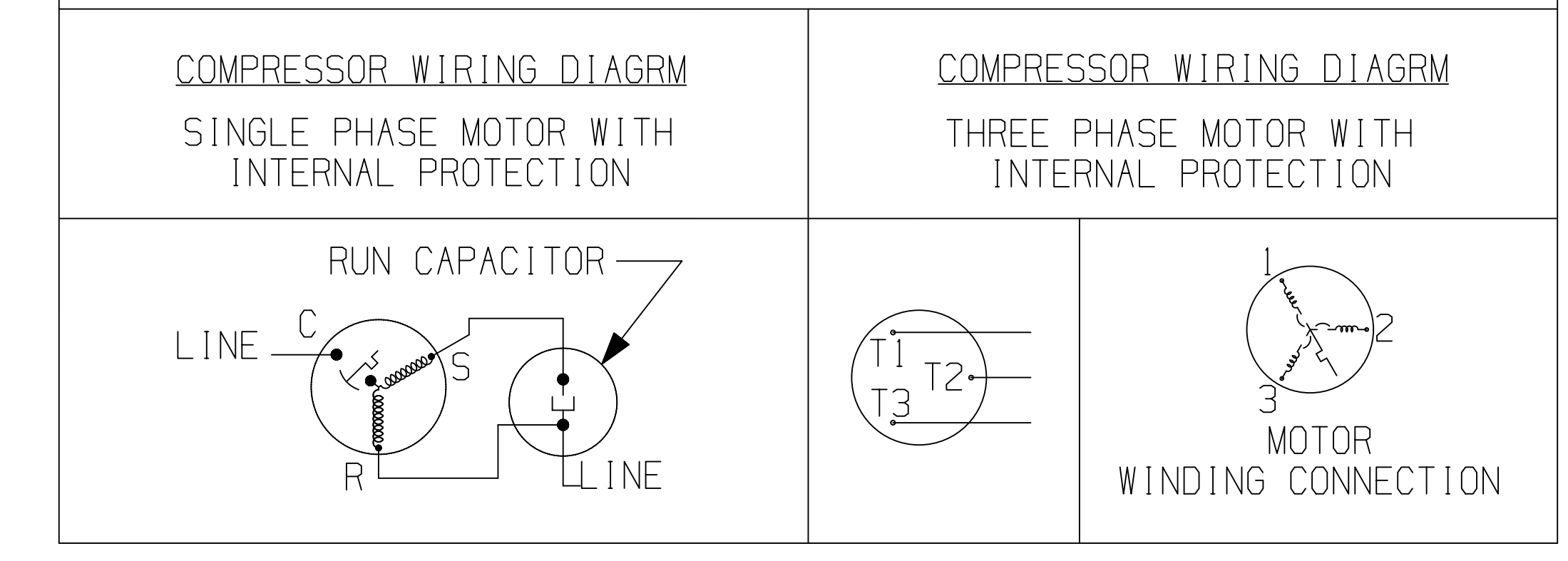
SPECIFICATIONS	
ES NO.	DESCRIPTION
ES92-155	CONVERSION-METRIC

- NOTES:
- ALL TOLERANCES ± 1.50 [0.060] UNLESS OTHERWISE SPECIFIED.
 - DUE TO ACCUMULATED ASSEMBLY TOLERANCES THE LISTED COMPONENTS MAY VARY FROM THE MOUNTING HOLES AS SHOWN BELOW:
 - ALL FITTINGS : ± 3.0 [0.12]
 - MOUNTING KIT.
 - TUBE ENDS MUST BE PLUGGED.

MODELS	GROMMET DUROMETER	4 FOOT KIT
ZP*50 THRU 83	STEEL	527-0181-00



USE COPPER CONDUCTORS ONLY. USE MINIMUM 75° C WIRE FOR AMPACITY DETERMINATION. INTERNAL MOTOR PROTECTION - ALLOW TIME FOR RESET. OVERCURRENT PROTECTION DEVICE RATING AND TYPE MUST BE IN ACCORDANCE WITH REGULATORY AGENCY END PRODUCT APPROVALS - SEE SYSTEM NAMEPLATE. CRANKCASE HEATER, WHEN APPLIED, MUST BE CONNECTED ONLY TO ITS RATED VOLTAGE. TO CORRECT IMPROPER ROTATION OF THREE PHASE MODELS, SWITCH ANY TWO SUPPLY LINES. REFER TO THE APPLICABLE SYSTEM WIRING DIAGRAM.



INTERPRET PER ASME
 Y14.5M-1994 AND
 EMERSON CLIMATE
 TECHNOLOGIES, INC.
 DESIGN STANDARDS DS2002
 DO NOT SCALE DRAWING
 THIRD ANGLE
 PROJECTION
 CRITICAL PRODUCT
 CHARACTERISTICS
 UNLESS OTHERWISE SPECIFIED
 DIMENSIONS ARE MILLIMETER OR 1 INCH
 TOLERANCES:
 1-PLACE : Δ
 2-PLACE : ∇
 ANGULAR : N/A

ECN101429	24	ADDED ZP83KFE-TFD	09-28-15	SZ	LG	AW
ECN100628	23	ADDED ZP72KTE-TFD	12-22-14	AC	EX	SL
32-1104-Q29	0	RELEASED	06-02-05	TM	EC	RST
ENG NOTICE NO.	REV. NO.	REVISIONS	DATE	BY	CHKD	APPR
CONFIDENTIALITY NOTICE						
THIS DRAWING AND INFORMATION CONTAINED HEREIN ARE THE EXCLUSIVE PROPERTY OF EMERSON CLIMATE TECHNOLOGIES, INC. AND SHALL BE RETURNED UPON DEMAND AND SHALL NOT BE REPRODUCED IN WHOLE OR IN PART, DISCLOSED TO ANYONE ELSE OR USED, WITHOUT THE WRITTEN CONSENT OF EMERSON CLIMATE TECHNOLOGIES, INC.						
MATERIAL SPECIFICATION		DRAWN BY		SUPERSEDES DWG. NO. / REV. NO.		
N/A		VBK		497-2852-00/ 22		
		DATE		SCALE		DATE FORMAT:
		05-16-14		3:4		MM-DD-YY
TITLE		DRAWING NUMBER		SHEET 1 OF 1		ENG
REF DWG-WELD COMP ASSM		497-2852-00				SIZE
						5