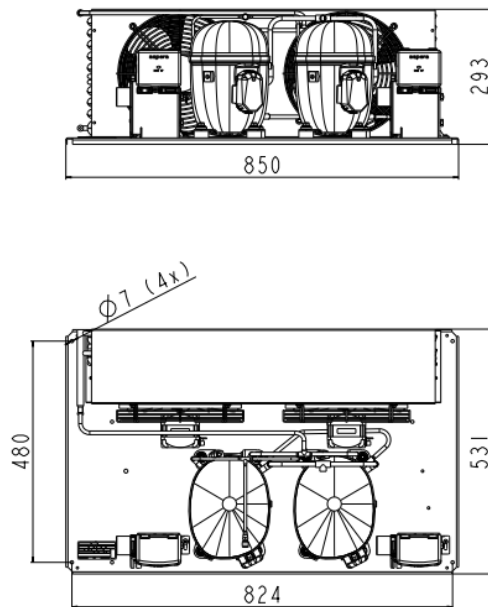


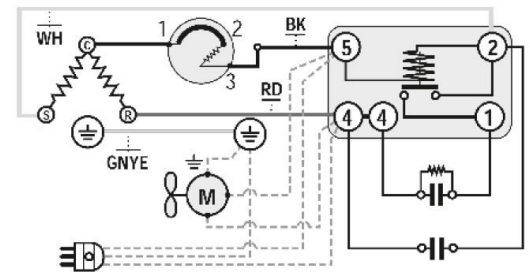
GENERAL DATA

Application:	LBP
Refrigerant:	R404A
Expansion Device:	C-V
Weight:	57.4 kg
Receiver:	0 liter
Voltage/Frequency:	220 - 240 V 50 ~
Height:	57.4 mm
Length:	531 mm
Width:	850 mm
Institute Approvals:	CE

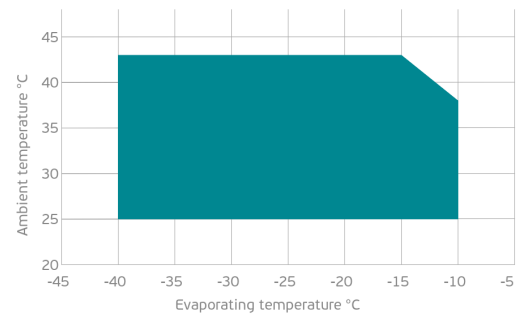
EXTERNAL DIMENSIONS



WIRING DIAGRAM



OPERATING ENVELOPE



COMPONENTS (SPARE PARTS)

fankit:	16W 254/28/5B	1996609
compressor:	NT2180GK	923HA94..AC

condenser:	3R11T DOUBLE FAN 254	2451209
elkit:	ELKOM NT2180GK	923HA0404A

For additional accessories please contact our technical support

ELECTRICAL DATA

Motor Type: CSR -
Locked Rotor Amperage (LRA): 35 A
Max.Current: 5.03 A

At maximum evaporating temperature and maximum ambient temperature.

FAN MOTOR

Number: 1 -
Shaft Power: 16 W
Air Flow: 1325 m³/h
Blade Diameter: 254 mm

PERFORMANCE CURVE DATA

Standard: EN13215-RG20 / return gas 20°C, subcooling 3K

50 Hz

	Evaporating Temperature (°C)	Cooling Capacity (W)	Power Consumption (W)	Current Consumption (A)	Efficiency (W/W)
25 °C Ambient Temperature	-10°C	3 296	1 863	9.23	1.77
	-15°C	2 836	1 690	8.43	1.68
	-20°C	2 357	1 524	7.66	1.55
	-25°C	1 900	1 364	6.93	1.39
	-30°C	1 501	1 210	6.23	1.24
	Rated point -35°C	1 201	1 063	5.57	1.13
	-40°C	1 037	922	4.95	1.12
32 °C Ambient Temperature	-10°C	2 995	1 921	9.52	1.56
	-15°C	2 582	1 742	8.69	1.48
	-20°C	2 147	1 570	7.89	1.37
	-25°C	1 727	1 405	7.14	1.23
	-30°C	1 363	1 247	6.42	1.09
	Rated point -35°C	1 092	1 096	5.74	1.00
	-40°C	952	952	5.11	1.00
43 °C Ambient Temperature	-15°C	2 191	1 850	9.23	1.18
	-20°C	1 807	1 666	8.38	1.08
	-25°C	1 433	1 490	7.57	0.96
	-30°C	1 106	1 322	6.80	0.84
	Rated point -35°C	866	1 162	6.09	0.75
	-40°C	750	1 010	5.42	0.74