

**220-240V 50 1~****GENERAL DATA**

**Application:** LBP  
**Refrigerant:** R600a  
**Evaporating Temperature Range:** -35°C to -10°C  
**Compressor Cooling:** Static  
**Type:** Hermetic reciprocating  
**Technology Type:** On-Off  
**Expansion Device:** Capillary Tube  
**Packing Quantity:** Multi - 100 pcs  
**Displacement:** 5.96 cm<sup>3</sup>  
**Horse power:** 1.10 hp

Approvals:   

**MECHANICAL DATA**

**Bore:** 22.5 mm  
**Stroke:** 15 mm  
**Oil Charge:** 150ml +/-15ml  
**Free Internal Volume:** 1.5 cm<sup>3</sup>  
**Maximum Recommended Refrigerant Charge:** 150 g  
**Oil Type Configuration:** Alkylbenzene  
**Oil Type Viscosity:** ISO5  
**Compressor pressurization:** Light vacuum  
**Weight:** 7.4 kg

**ELECTRICAL DATA**

**Motor Type:** RSCR  
**Starting Torque:** LST  
**Voltage working range at 50 Hz:** 198-254 V  
**Maximum Motor Temperature:** 130 °C  
**Start Winding Resistance:** 23.9 Ω (± 10%) at 25°C  
**Run Winding Resistance:** 42.5 Ω (± 10%) at 25°C

**MOUNTING ACCESSORIES**

	Description	Code
<b>Terminal Board:</b>	no	-
<b>Overload Protector Bracket:</b>	no	-
<b>Capacitor Bracket:</b>	no	-
<b>Washer:</b>	no	-
<b>Pin:</b>	no	-
<b>Clip:</b>	no	-
<b>Rotolock valve:</b>	no	-
<b>Grommets:</b>	no	-
<b>Sleeves:</b>	no	-
<b>Cover:</b>	yes	2075282
<b>Anchorage:</b>	yes	1027058

**ELECTRICAL COMPONENTS**

	Component type	Description	Code
<b>Starting Device:</b>	TSD	TSD2 220V	513605532
<b>Motor Protection:</b>	External	4TM189KFBYY-73	2312011

**EXTERNAL CHARACTERISTICS**

**Base Plate:** European  
**Tray Holder:** No  
**Height:** 166 mm

	Internal Diameter (mm)	Material	Shape
<b>Suction Connector</b>	6.1	Copper	Slanted 42°
<b>Discharge Connector</b>	4.9	Copper	Straight
<b>Process Connector</b>	6.1	Copper	Slanted 46°



**RATED POINT DATA**

Cooling Capacity (W)	Power Consumption (W)	Current Consumption (A)	Gas Flow Rate (kg/h)	Efficiency (W/W)
±5%	±5%	±5%	±5%	±7%
69	51	0.26	0.90	1.35

Test condition: CECOMAF, Static, Return Gas 32°C, Subcooling OK, Evaporating: -25°C, Condensing: 55°C, Ambient: 32°C

**PERFORMANCE CURVE DATA**

**220V 50Hz**

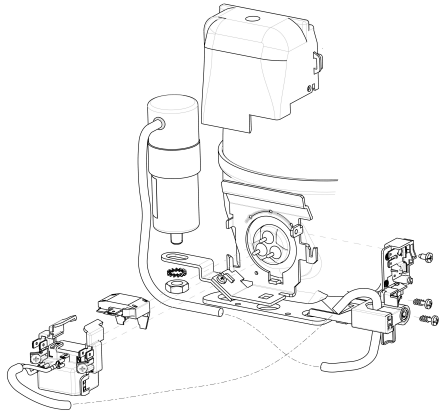
Condensing Temperature (°C)	Evaporating Temperature (°C)	Cooling Capacity (W)	Power Consumption (W)	Current Consumption (A)	Gas Flow Rate (kg/h)	Efficiency (W/W)
		±5%	±5%	±5%	±5%	±7%
<b>35°C</b>	-10	207	63	0.32	2.28	3.29
	-15	167	58	0.30	1.83	2.87
	-20	133	54	0.28	1.46	2.47
	-25	105	49	0.25	1.15	2.14
	-30	82	43	0.23	0.90	1.93
	-35	63	33	0.20	0.69	1.92

Condensing Temperature (°C)	Evaporating Temperature (°C)	Cooling Capacity (W)	Power Consumption (W)	Current Consumption (A)	Gas Flow Rate (kg/h)	Efficiency (W/W)
		±5%	±5%	±5%	±5%	±7%
<b>45°C</b>	-10	179	70	0.35	2.13	2.57
	-15	142	63	0.32	1.69	2.26
	-20	111	57	0.29	1.33	1.96
	-25	86	51	0.26	1.02	1.69
	-30	64	43	0.23	0.76	1.48
	-35	46	33	0.19	0.54	1.38

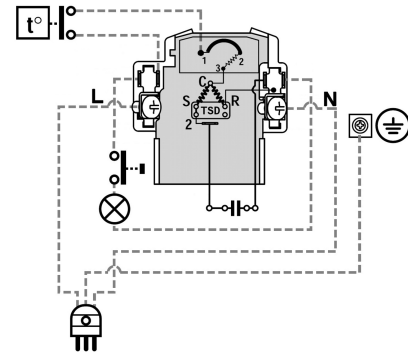
Condensing Temperature (°C)	Evaporating Temperature (°C)	Cooling Capacity (W)	Power Consumption (W)	Current Consumption (A)	Gas Flow Rate (kg/h)	Efficiency (W/W)
		±5%	±5%	±5%	±5%	±7%
<b>55°C</b>	-10	151	74	0.38	1.98	2.03
	-15	119	66	0.34	1.55	1.81
	-20	92	58	0.30	1.20	1.57
	-25	69	51	0.26	0.90	1.35
	-30	49	43	0.23	0.64	1.16
	-35	32	32	0.19	0.41	1.00

Test condition: CECOMAF, Static, Return Gas 32°C, Subcooling OK, Ambient: 32°C

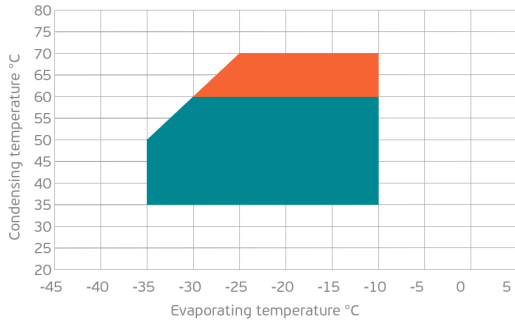
**ASSEMBLY INSTRUCTION**



**WIRING DIAGRAM**

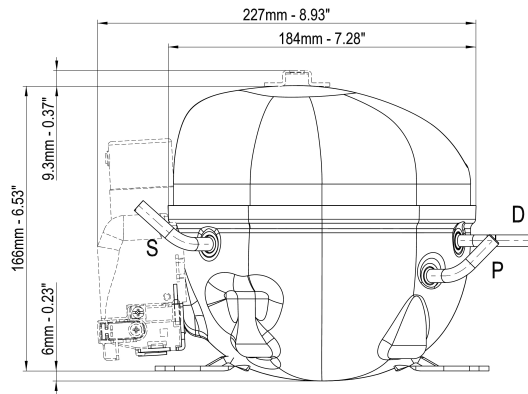


**OPERATING ENVELOPE**



- Operating Condition
- Transient Condition
- Superheating

**NOTE:** usage of compressors outside of intended working range cannot make use of the warranty, or should be consulted with Technical support.



	∅ mm	∅ in	Material
<b>S - Suction</b>	6.10 - 6.20	0.24	Cu
<b>P - Process</b>	6.10 - 6.20	0.24	Cu
<b>D - Discharge</b>	4.90 - 5.02	0.19	Cu

