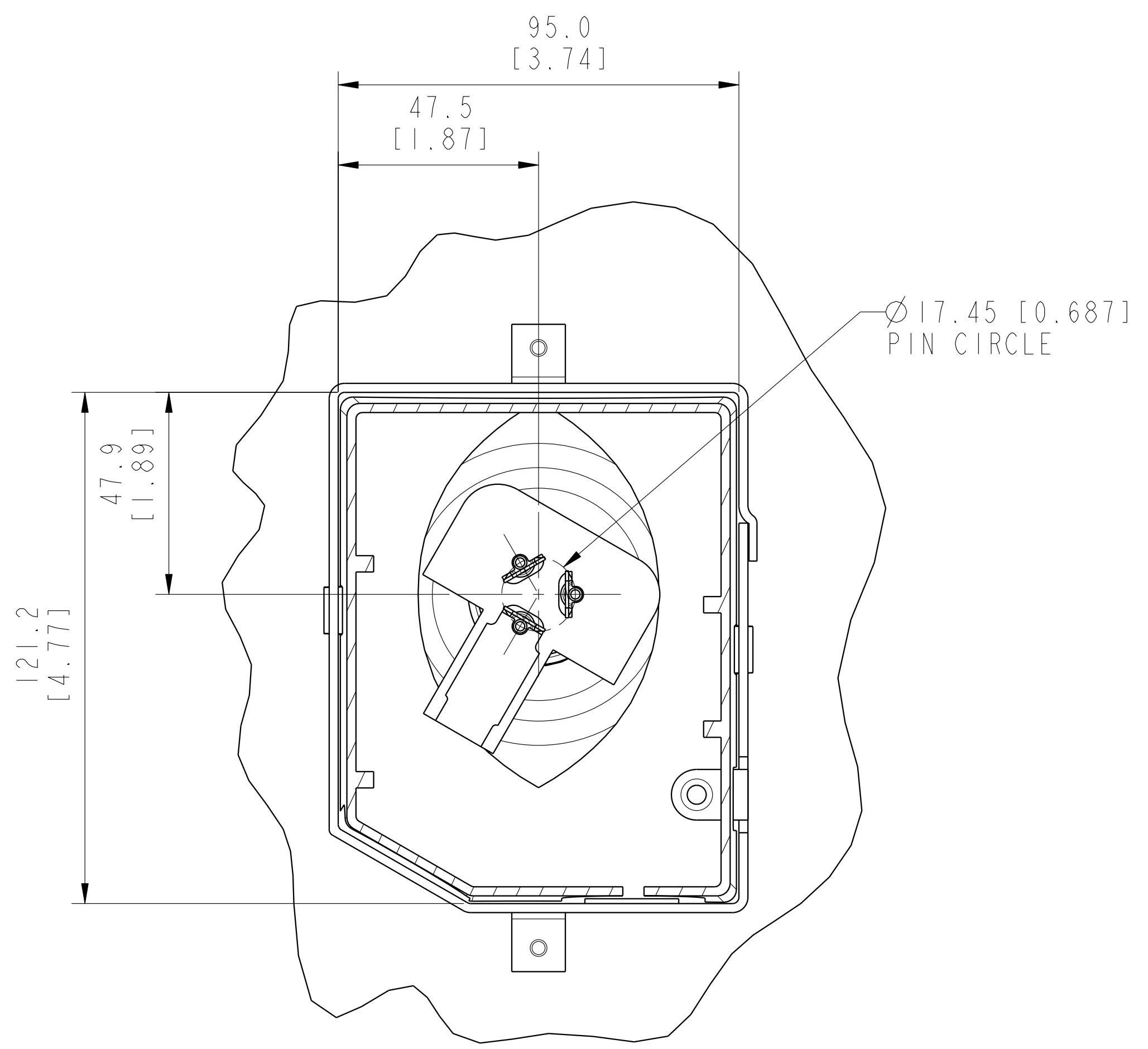
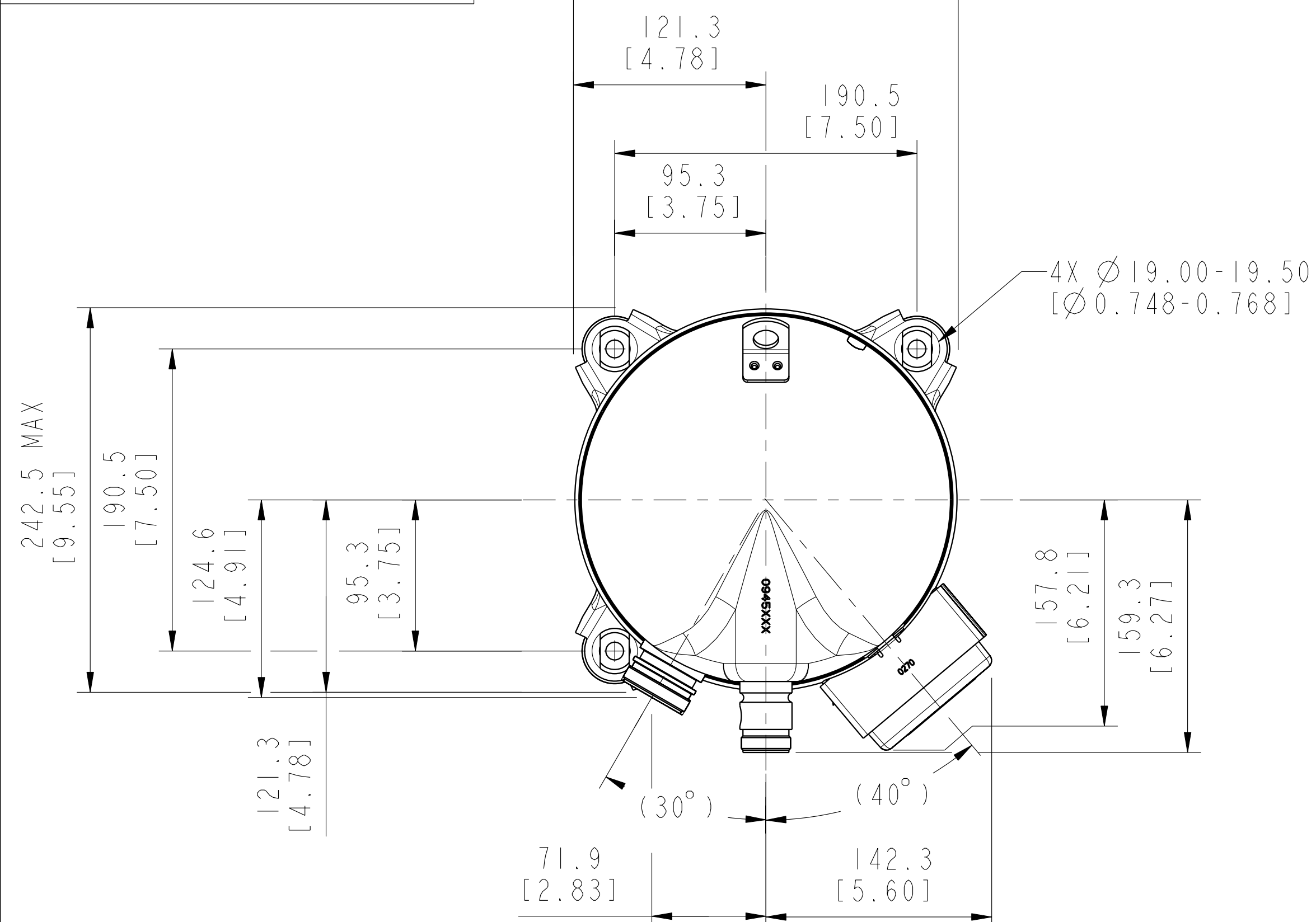
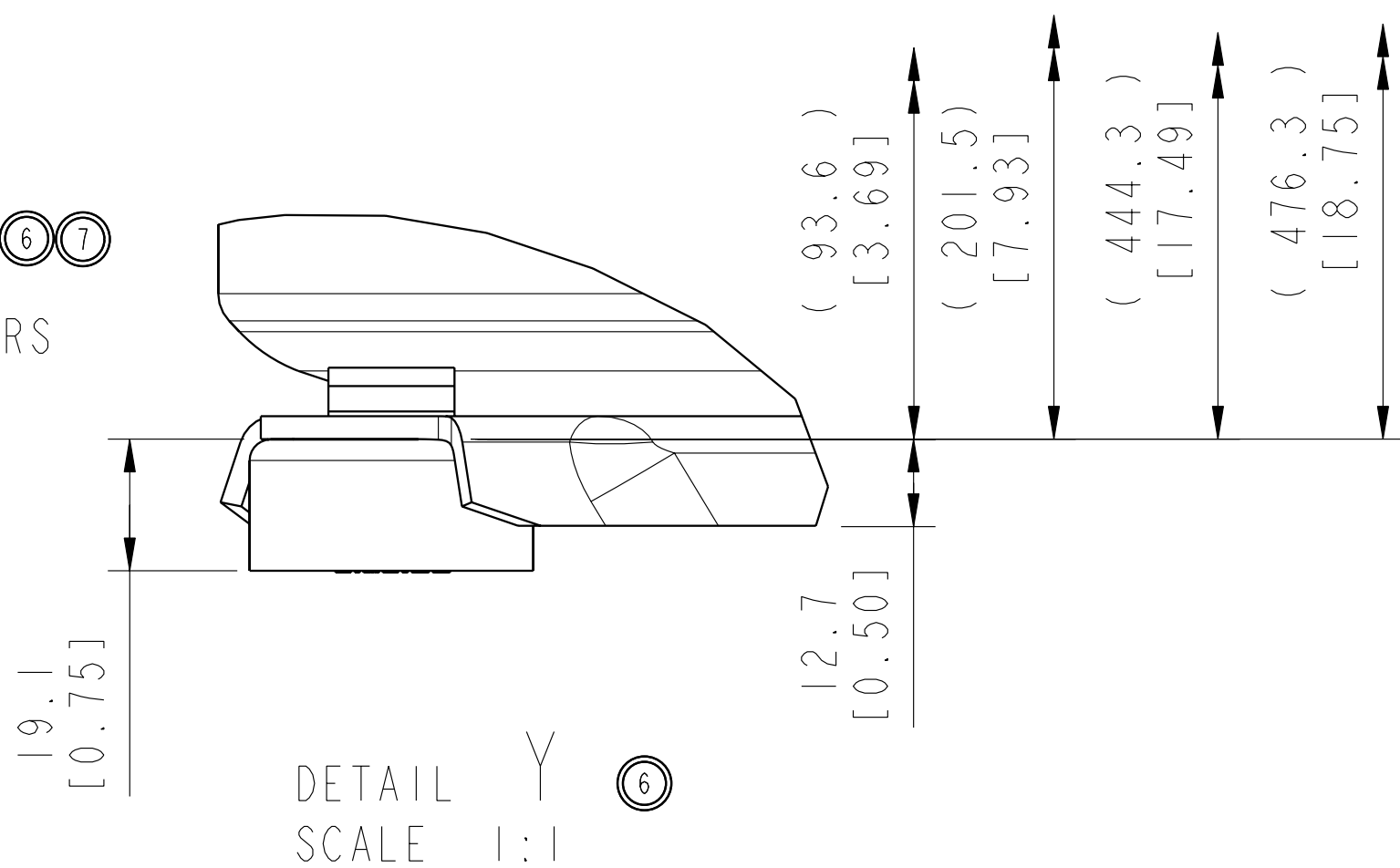
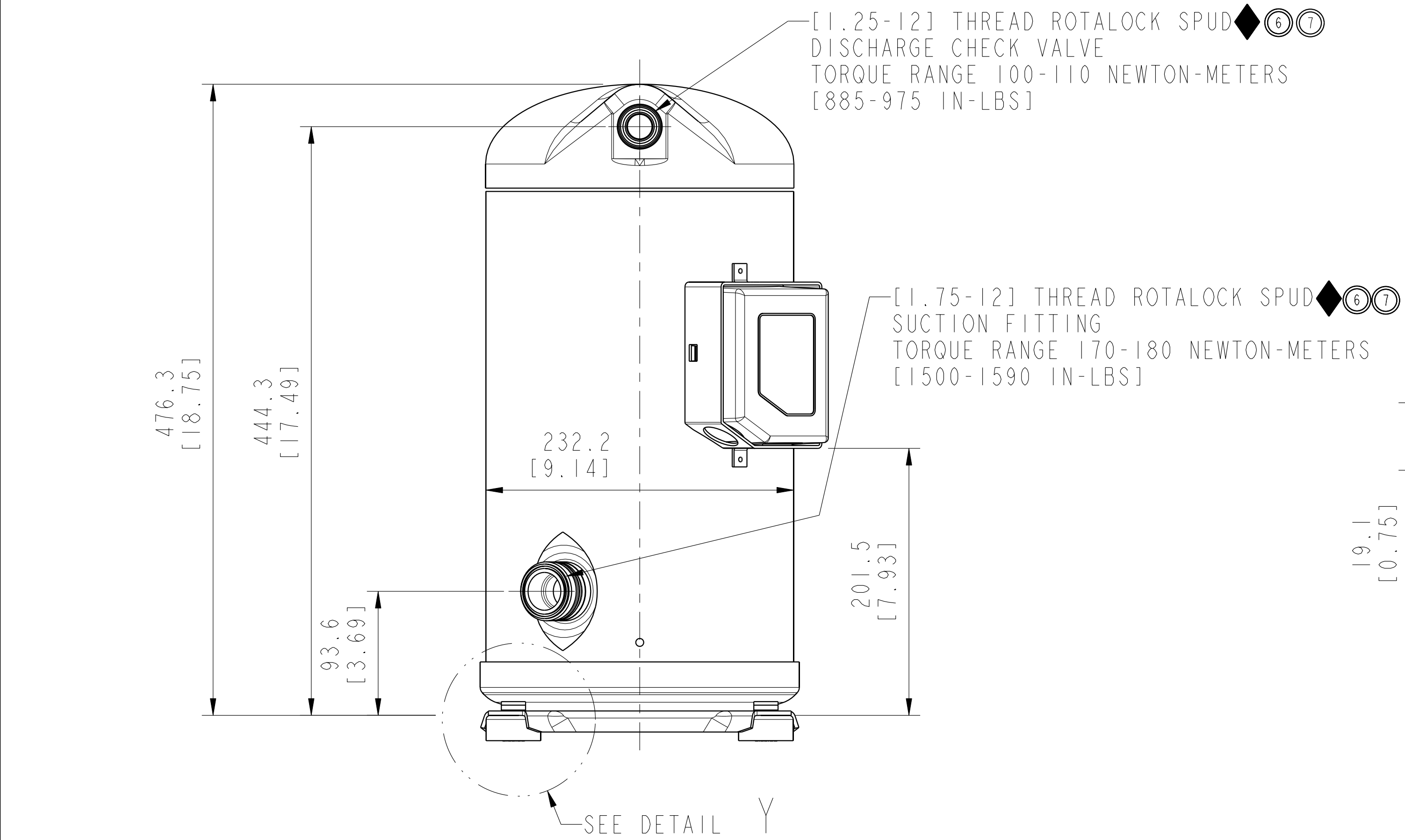


8	7	6	5	4	3	2	1	
MODEL NUMBER							SPECIFICATIONS	
ZB50KC/KCE-TFD/TFE/TF5/TF7							ES NO. DESCRIPTION	
ZB58KC/KCE-TFD/TFE/TF5/TF7							ES92-155 CONVERSION-METRIC	



T-BOX LAYOUT STANDARD  
SECTION A-A  
SCALE 1:1



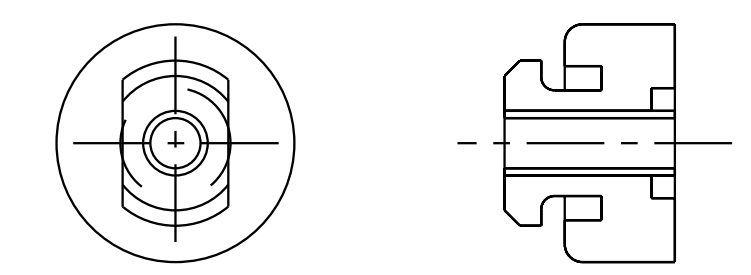
DETAIL Y  
SCALE 1:1

NOTES:  
 1. ALL TOLERANCES ±1.5 [0.06] UNLESS OTHERWISE SPECIFIED. DUE TO ACCUMULATED ASSEMBLY TOLERANCES THE LISTED COMPONENTS MAY VARY FROM THE MOUNTING HOLES AS TABULATED.

- ⑥ ◆ SUCTION FITTING ±3.0 [0.12]
- ⑥ ◆ DISCHARGE FITTING ±3.0 [0.12]

2. MOUNTING KIT:

GROMMET DUROMETER	4 FOOT KIT
35-45	527-0116-00



3. TUBE ENDS MUST BE PLUGGED.

COMPRESSOR WIRING DIAGRAM  
THREE PHASE MOTOR WITH  
INTERNAL PROTECTION

USE COPPER CONDUCTORS ONLY. USE THIS EQUIPMENT ON A GROUNDED SYSTEM ONLY. USE MINIMUM 75° C WIRE FOR AMPACITY. DETERMINATION. INTERNAL MOTOR PROTECTION-ALLOW TIME FOR RESET. PRIMARY SINGLE PHASE FAILURE PROTECTION IS PROVIDED. CRANKCASE HEATER, WHEN APPLIED, MUST BE CONNECTED ONLY TO ITS RATED VOLTAGE. OVERCURRENT PROTECTION DEVICE RATING AND TYPE MUST BE IN ACCORDANCE WITH REGULATORY AGENCY END PRODUCT APPROVALS - SEE SYSTEM NAMEPLATE. TO CORRECT IMPROPER MOTOR ROTATION, SWITCH ANY TWO SUPPLY LINES.

MOTOR WINDING CONNECTION  
2-94 052-1199-00

ECN004392	7	UPDATE TORQUE VALUE FOR SUCTION & DISCHARGE FITTING	09-16-11	PJD	DC	NB
ECN002690	6	CHANGED TO CPC FORMAT, ADDED CPC	07-20-10	AU	LLB	KJR
32-0705-057	5	RE-INSTATED AND REDRAWN	12-03-05	PMM	CHK	JPS
32-1299-010	0	RELEASED	02-02-00	PMM	CHK	JPS

CONFIDENTIALITY NOTICE						
15	THIS DRAWING AND INFORMATION CONTAINED HEREIN ARE THE EXCLUSIVE PROPERTY OF EMERSON CLIMATE TECHNOLOGIES, INC. AND SHALL BE RETURNED UPON DEMAND AND SHALL NOT BE REPRODUCED IN WHOLE OR IN PART, DISCLOSED TO ANYONE ELSE OR USED, WITHOUT THE WRITTEN CONSENT OF EMERSON CLIMATE TECHNOLOGIES, INC.					
MATERIAL SPECIFICATION		DRAWN BY		SUPERSEDES DWG. NO. / REV. NO.		
N/A		PMM		497-0303-00 / 4		
		DATE		SCALE		DATE FORMAT:
		12-03-05		3:8		MM-DD-YY
TITLE			DRAWING NUMBER		SHEET 1 OF 1	
REF DWG-WELD COMP ASSM.			497-0303-00		4	



INTERPRET PER ASME Y14.5M-1994 AND EMERSON CLIMATE TECHNOLOGIES, INC. DESIGN STANDARDS DS2002  
DO NOT SCALE DRAWING

CRITICAL PRODUCT CHARACTERISTIC

THIRD ANGLE PROJECTION

UNLESS OTHERWISE SPECIFIED DIMENSIONS ARE MILLIMETER OR (INCH)

TOLERANCES:  
1- PLACE ± NA  
2- PLACE ± NA  
ANGULAR ± NA