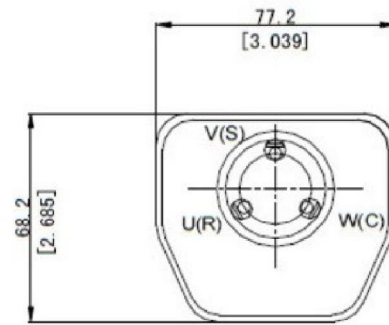
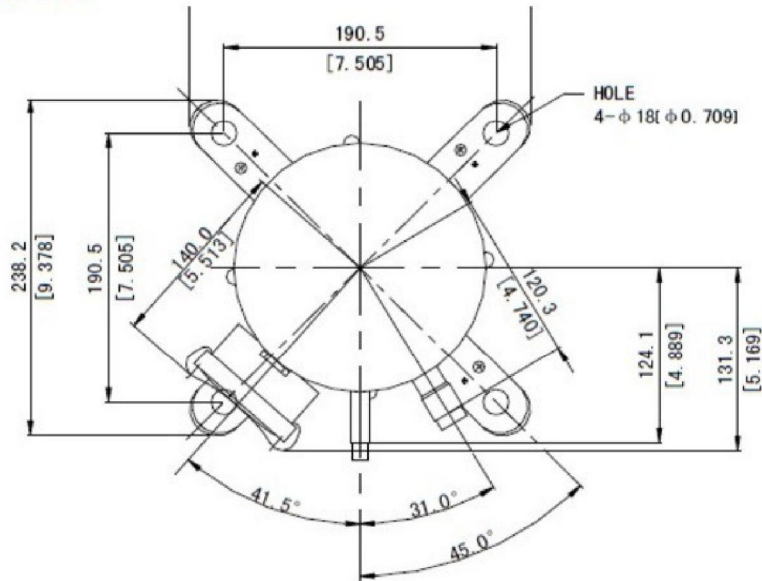
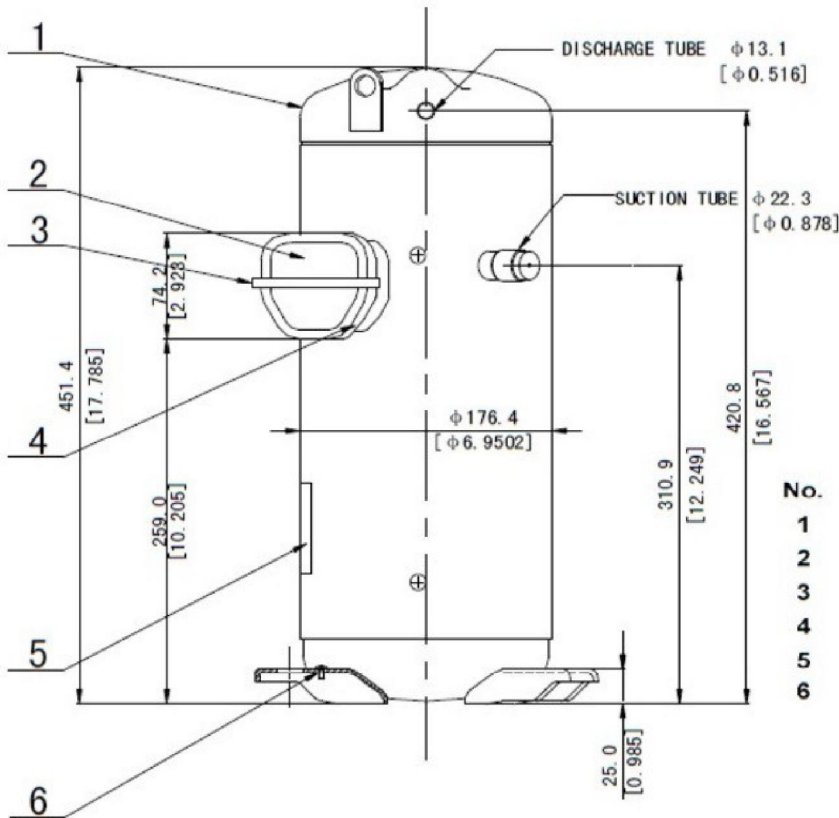


C-SB Series

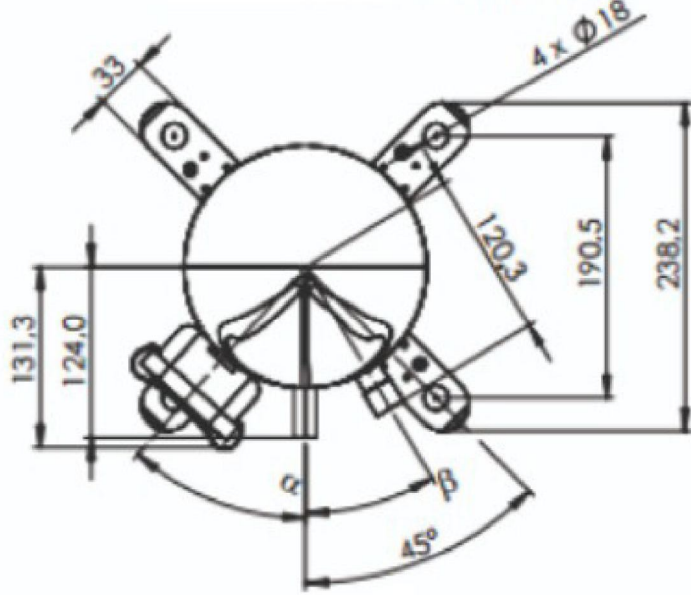


TERMINAL

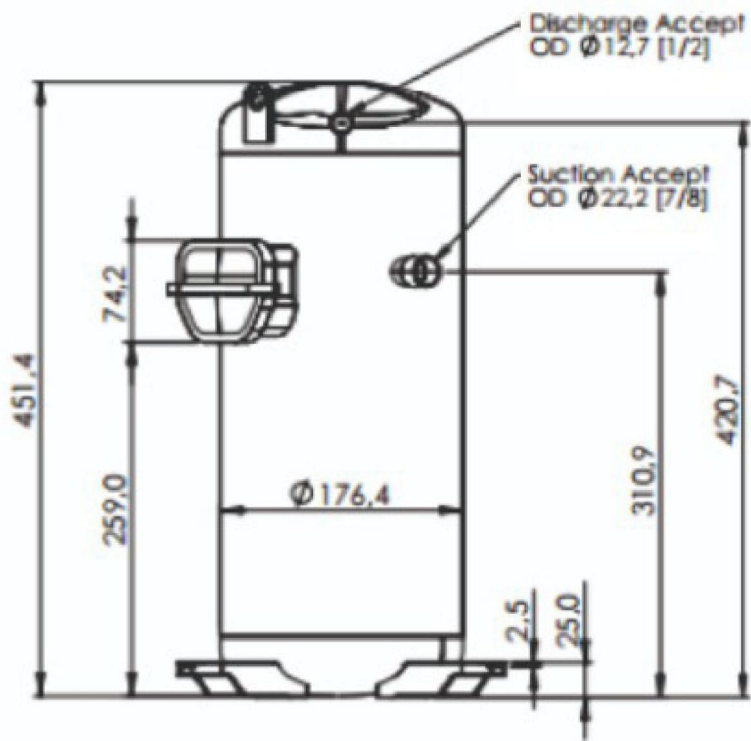


No.	Qty	Name
1	1	Compressor
2	1	Terminal Box Cover
3	1	Terminal Box Clip
4	1	Insulating Grommet
5	1	Nameplate
6	1	Screw Special

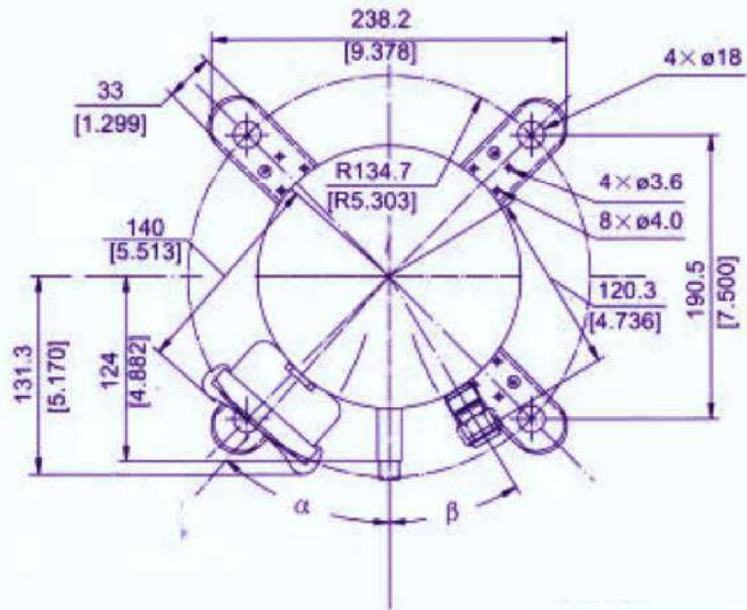
### C-SB Series



Code	$\alpha$	$\beta$
A	41,5°	31,0°
B	27,5°	45,0°



### C-SB Series



### B Series-Single

CODE	$\alpha$	$\beta$
A	41.5°	31.0°
B	27.5°	45.0°

### B Series-Tandem

CODE	$\alpha$	$\beta$
At	41.5°	31.0°

The connection port of oil balance tube is attached to tandem model.

