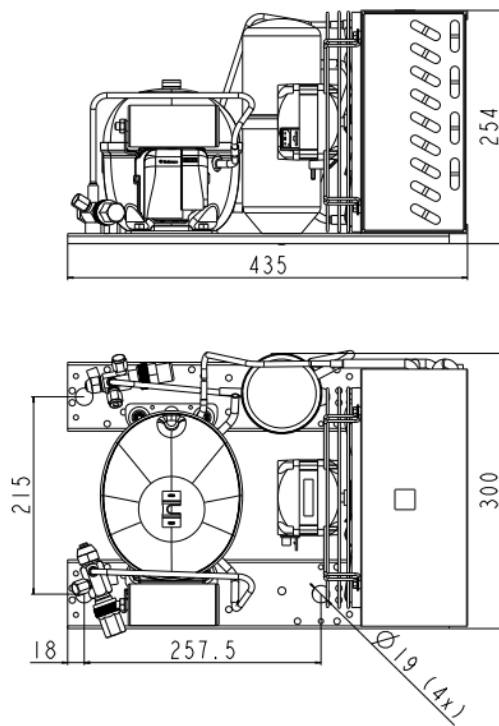


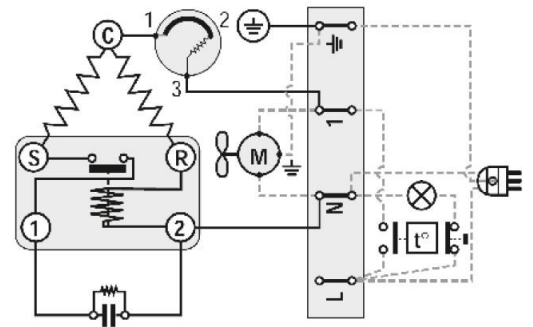
GENERAL DATA

Application:	LBP
Refrigerant:	R404A
Expansion Device:	C-V
Weight:	15.4 kg
Receiver:	1.1 liter
Voltage/Frequency:	220 - 240 V 50 ~
Height:	15.4 mm
Length:	435 mm
Width:	300 mm
Institute Approvals:	CE

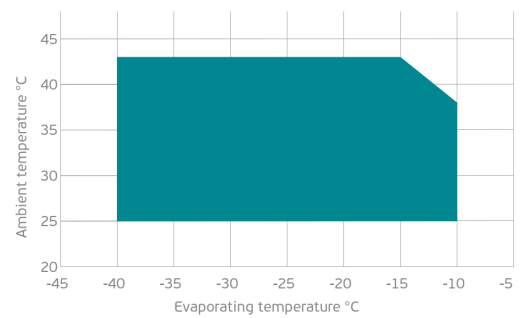
EXTERNAL DIMENSIONS



WIRING DIAGRAM



OPERATING ENVELOPE



COMPONENTS (SPARE PARTS)

valve_suca:	FLARE 3/8"	2110024
condenser:	3R9T	2451205
compressor:	EMT2130GK	913AA62..AR

valve_disch:	FLARE 1/4"	2110025
fankit:	10W 230/31/5B	1996699
elkit:	ELCOM EMT2130GK	913AA6264A

For additional accessories please contact our technical support

ELECTRICAL DATA

Motor Type: CSIR -
Locked Rotor Amperage (LRA): 12.4 A
Max.Current: 2.5 A

At maximum evaporating temperature and maximum ambient temperature.

FAN MOTOR

Number: 1 -
Shaft Power: 10 W
Air Flow: 420 m³/h
Blade Diameter: 230 mm

PERFORMANCE CURVE DATA

Standard: EN13215-RG20 / return gas 20°C, subcooling 3K

50 Hz

	Evaporating Temperature (°C)	Cooling Capacity (W)	Power Consumption (W)	Current Consumption (A)	Efficiency (W/W)
25 °C Ambient Temperature	-10°C	580	433	2.38	1.34
	-15°C	477	384	2.24	1.24
	-20°C	379	343	2.10	1.11
	-25°C	298	306	1.96	0.97
	-30°C	250	271	1.84	0.92
	Rated point -35°C	247	234	1.75	1.05
	-40°C	305	193	1.68	1.58
32 °C Ambient Temperature	-10°C	526	447	2.46	1.18
	-15°C	435	396	2.31	1.10
	-20°C	345	352	2.16	0.98
	-25°C	271	315	2.02	0.86
	-30°C	226	279	1.90	0.81
	Rated point -35°C	225	242	1.80	0.93
	-40°C	281	202	1.73	1.39
43 °C Ambient Temperature	-15°C	370	423	2.45	0.87
	-20°C	294	375	2.29	0.78
	-25°C	230	334	2.14	0.69
	-30°C	191	295	2.01	0.65
	Rated point -35°C	192	257	1.91	0.75
	-40°C	247	215	1.83	1.15