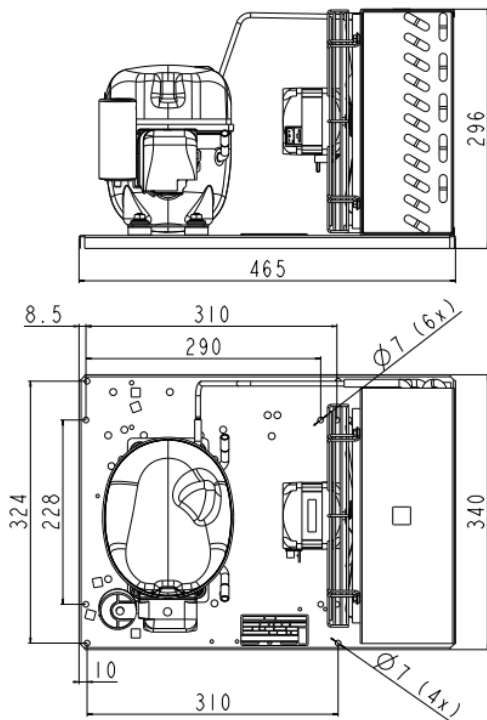


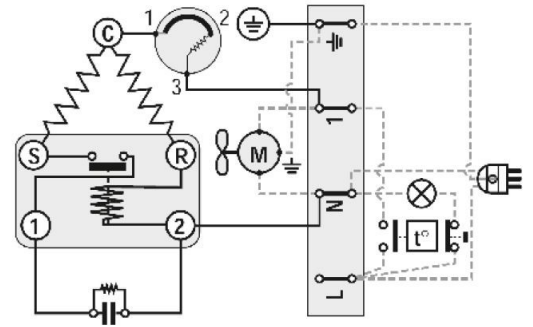
GENERAL DATA

Application:	M/HBP
Refrigerant:	R134a
Expansion Device:	C-V
Weight:	18.6 kg
Receiver:	0 liter
Voltage/Frequency:	220 - 240 V 50 ~
Height:	18.6 mm
Length:	465 mm
Width:	340 mm
Institute Approvals:	CE

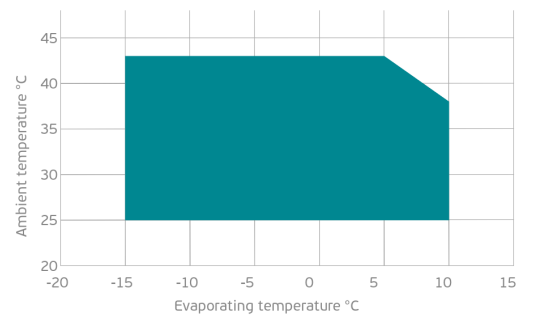
EXTERNAL DIMENSIONS



WIRING DIAGRAM



OPERATING ENVELOPE



COMPONENTS (SPARE PARTS)

condenser:	3R11T	2451206
fankit:	16W 254/28/5B	1996610

compressor:	NEK6187Z	268AA51..AM
elkit:	ELKOM NEK6187Z	268AA51N1A

For additional accessories please contact our technical support

ELECTRICAL DATA

Motor Type: CSIR -
Locked Rotor Amperage (LRA): 16.1 A
Max.Current: 3.43 A

At maximum evaporating temperature and maximum ambient temperature.

FAN MOTOR

Number: 1 -
Shaft Power: 16 W
Air Flow: 320 m³/h
Blade Diameter: 254 mm

PERFORMANCE CURVE DATA

Standard: EN13215-RG20 / return gas 20°C, subcooling 3K

50 Hz

	Evaporating Temperature (°C)	Cooling Capacity (W)	Power Consumption (W)	Current Consumption (A)	Efficiency (W/W)
25 °C Ambient Temperature	10°C	1 171	422	2.79	2.77
	5°C	992	391	2.69	2.54
	0°C	832	361	2.60	2.30
	-5°C	689	334	2.53	2.06
	Rated point -10°C	565	309	2.47	1.83
	-15°C	457	286	2.42	1.60
32 °C Ambient Temperature	10°C	1 081	442	2.85	2.44
	5°C	915	408	2.74	2.24
	0°C	767	376	2.64	2.04
	-5°C	634	347	2.56	1.83
	Rated point -10°C	517	320	2.48	1.62
	-15°C	416	295	2.42	1.41
43 °C Ambient Temperature	5°C	751	444	2.84	1.69
	0°C	624	406	2.72	1.54
	-5°C	511	370	2.61	1.38
	Rated point -10°C	412	337	2.52	1.22
	-15°C	324	307	2.44	1.05