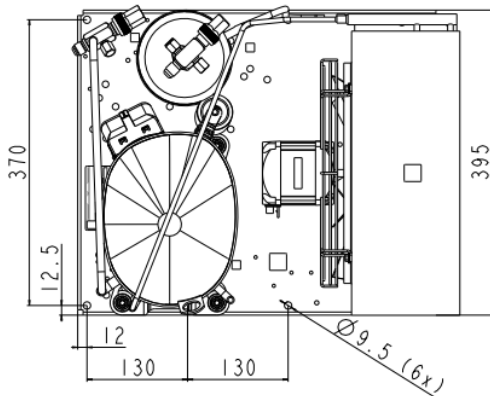
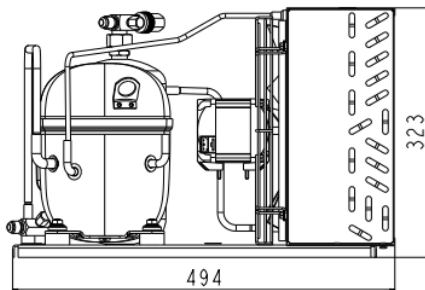


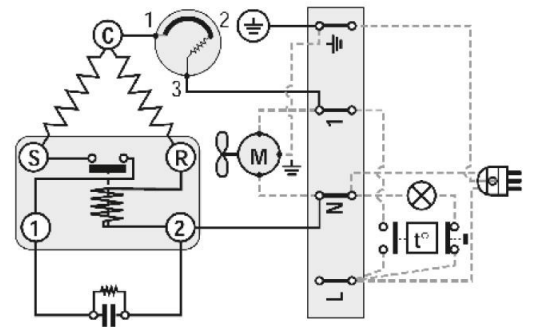
GENERAL DATA

Application:	M/HBP
Refrigerant:	R290
Expansion Device:	C-V
Weight:	33 kg
Receiver:	2.3 liter
Voltage/Frequency:	220 - 240 V 50 ~
Height:	33 mm
Length:	494 mm
Width:	395 mm
Institute Approvals:	CE

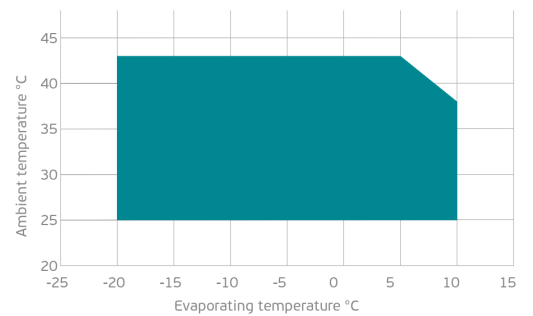
EXTERNAL DIMENSIONS



WIRING DIAGRAM



OPERATING ENVELOPE



COMPONENTS (SPARE PARTS)

valve_disch:	SOLDER 3/8"	2110049
fankit:	IQ3620 275/31/5B	1996704
compressor:	NT6217U	842FA04..AC

valve_suca:	SOLDER 3/8"	2110046
condenser:	3R12T	2451218
elkit:	ELKOM NT6217U	842FA0413A

For additional accessories please contact our technical support

ELECTRICAL DATA

Motor Type: CSIR -
Locked Rotor Amperage (LRA): 25 A
Max.Current: 4.43 A

At maximum evaporating temperature and maximum ambient temperature.

FAN MOTOR

Number: 1 -
Shaft Power: - W
Air Flow: 640 m³/h
Blade Diameter: 275 mm

PERFORMANCE CURVE DATA

Standard: EN13215-RG20 / return gas 20°C, subcooling 3K

50 Hz

	Evaporating Temperature (°C)	Cooling Capacity (W)	Power Consumption (W)	Current Consumption (A)	Efficiency (W/W)
25 °C Ambient Temperature	10°C	1 910	712	4.55	2.68
	5°C	1 640	684	4.44	2.40
	0°C	1 399	644	4.29	2.17
	-5°C	1 185	597	4.13	1.98
	Rated point -10°C	996	551	3.97	1.81
	-15°C	829	511	3.85	1.62
	-20°C	682	484	3.79	1.41
32 °C Ambient Temperature	10°C	1 738	733	4.68	2.37
	5°C	1 490	705	4.58	2.11
	0°C	1 269	664	4.43	1.91
	-5°C	1 075	616	4.26	1.74
	Rated point -10°C	904	569	4.10	1.59
	-15°C	753	527	3.98	1.43
	-20°C	622	498	3.91	1.25
43 °C Ambient Temperature	5°C	1 276	742	4.83	1.72
	0°C	1 084	701	4.68	1.55
	-5°C	915	653	4.51	1.40
	Rated point -10°C	768	603	4.35	1.27
	-15°C	639	560	4.22	1.14
	-20°C	528	528	4.14	1.00