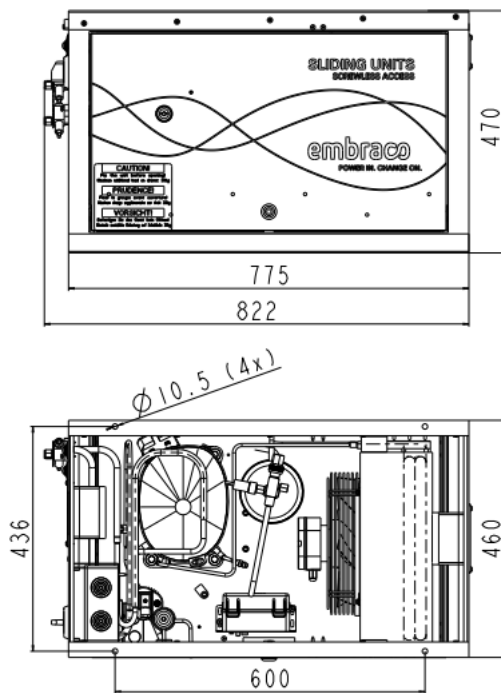


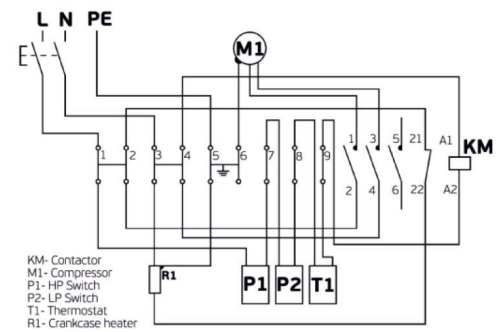
### GENERAL DATA

<b>Application:</b>	M/HBP
<b>Refrigerant:</b>	R134a
<b>Expansion Device:</b>	C-V
<b>Weight:</b>	75.5 kg
<b>Receiver:</b>	2.3 liter
<b>Voltage/Frequency:</b>	220 - 240 V 50 ~
<b>Height:</b>	75.5 mm
<b>Length:</b>	822 mm
<b>Width:</b>	460 mm
<b>Institute Approvals:</b>	<b>CE</b>

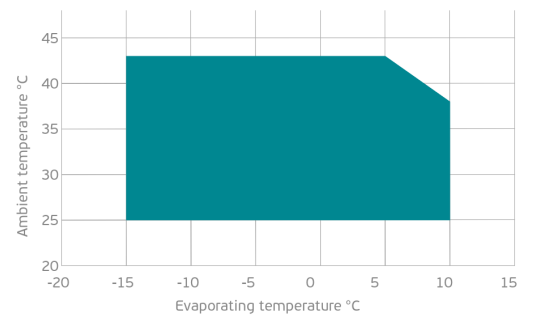
### EXTERNAL DIMENSIONS



### WIRING DIAGRAM



### OPERATING ENVELOPE



### COMPONENTS (SPARE PARTS)

<b>valve_suca:</b>	SOLDER 1/2"	2110118	<b>valve_disch:</b>	SOLDER 3/8"	2110119
<b>dryer:</b>	FILTER DRYER 10MM ODF	2730010	<b>sightglass:</b>	SIGHT GLASS 10MM ODF	2464040
<b>hpressostat:</b>	P100CP-102D	2466033	<b>lpressostat:</b>	PS1-A3K	2466036
<b>condenser:</b>	3R12T	2451226	<b>fankit:</b>	AXIAL FAN 230V/50HZ/1PH	1996726
<b>heater:</b>	CRANKCASE HEATER 230V/40W	2464205	<b>flexihose:</b>	FLEXI HOSE 10MM ODF	2464241
<b>compressor:</b>	NT6217Z	212BA04..AC	<b>elkit:</b>	ELECTRICAL BOX/PROTECTOR	1996555/2321002

For additional accessories please contact our technical support

**ELECTRICAL DATA**

**Motor Type:** CSR -  
**Locked Rotor Amperage (LRA):** 25 A  
**Max.Current:** 4.52 A

At maximum evaporating temperature and maximum ambient temperature.

**FAN MOTOR**

**Number:** 1 -  
**Shaft Power:** - W  
**Air Flow:** 840 m<sup>3</sup>/h  
**Blade Diameter:** 250 mm

**PERFORMANCE CURVE DATA**

Standard: EN13215-RG20 / return gas 20°C, subcooling 3K

50 Hz

	Evaporating Temperature (°C)	Cooling Capacity (W)	Power Consumption (W)	Current Consumption (A)	Efficiency (W/W)
<b>25 °C</b> Ambient Temperature	10°C	2 246	808	4.82	2.78
	5°C	1 905	723	4.43	2.64
	0°C	1 599	647	4.10	2.47
	-5°C	1 325	580	3.80	2.28
	Rated point -10°C	1 082	520	3.54	2.08
	-15°C	865	467	3.32	1.85
<b>32 °C</b> Ambient Temperature	10°C	2 045	834	4.97	2.45
	5°C	1 730	745	4.57	2.32
	0°C	1 449	666	4.22	2.18
	-5°C	1 201	597	3.91	2.01
	Rated point -10°C	982	536	3.65	1.83
	-15°C	790	482	3.42	1.64
<b>43 °C</b> Ambient Temperature	5°C	1 487	794	4.87	1.87
	0°C	1 227	708	4.48	1.73
	-5°C	998	633	4.15	1.58
	Rated point -10°C	797	568	3.86	1.40
	-15°C	624	511	3.63	1.22