

Data sheets

UL Semi-hermetic reciprocating compressors > UL Standard series / for HFC-HCFC-HFO Blends

Technical data:		
Cylinders	#	4
Displacement @ 60 Hz	m3/h [60Hz]	39.36
Motor version[1]		2
Nominal Motor power (HP)		5
Nominal Motor power (kW)		3.7
Motor voltage at 60 Hz[2]	V/ph/Hz	440-480V/3/60Hz PWS
Bridges for DOL start		Standard
CC Head capacity control steps	%	100%-50%
RSH Head capacity control steps	%	100%-75%
Capacity control: CC + RSH	%	100%-75%-50%-25%
Frequency min	Hz	25
Frequency max[3]	Hz	87
Electric terminal box class protection		IP56
Maximum pressure HP	bar	30
Maximum pressure LP	bar	20.5
Oil type[4]		POE32
Oil charge (3/4 of sight glass)	l	2.9
Lubrication type		Centrifugal
Suction valve (SV)	inch	1 3/8
Discharge valve (DV)	inch	1 1/8
Net weight	kg	115
Max Length	mm	550
Max Width	mm	405
Max Height	mm	405
Rubber mounts diameter[2]	mm	50
Rubber mounts height	mm	50
Rubber mounts shore	sh	55
Sound power level (-10/45, R404A)[5]	dB(A)	72.5
Sound pressure level @ 1m (-10/45, R404A)[5]	dB(A)	64.5
Sound power level (-35/40, R404A)	dB(A)	77.5
Sound pressure level @ 1m (-35/40, R404A)	dB(A)	69.5
Compressor body material		Cast Iron
MRA, maximum operating current at 208-230V/60Hz	A	29.4
LRA, maximum starting current at 208-230V/60Hz , PWS	A	77
LRA, maximum starting current at 208-230V/60Hz , DOL	A	128
MRA, maximum operating current at 460V/60Hz	A	14.7
LRA, maximum starting current at 460V/60Hz , DOL motor	A	62
LRA, maximum starting current at 575V/60Hz PWS	A	28.9
LRA, maximum starting current at 575V/60Hz PWS motor	A	46.7
UL Motor type -2NU	V/ph/Hz	208-230/3/60 DOL/PWS; 460/3/60 DOL
UL Motor type -5PU	V/ph/Hz	575/3/60 PWS
LRA, maximum starting current at 208-230V/60Hz - PWS	A	
Motor protection		AMS
Oil level sight glass	#	2
Control, diagnostics and protection device		INT69® Diagnose

[1] Motor version: 1 = high and mid temperature, all refrigerants; 2 = low and mid temperature, all refrigerants; 3 = ECOinside, low temperature, R134a and R1234ze only

[2] Others available on request

[3] Maximum frequency depends on the working condition: see FSS3 (Frascold selection software)

[4] Different kind of oil available on request

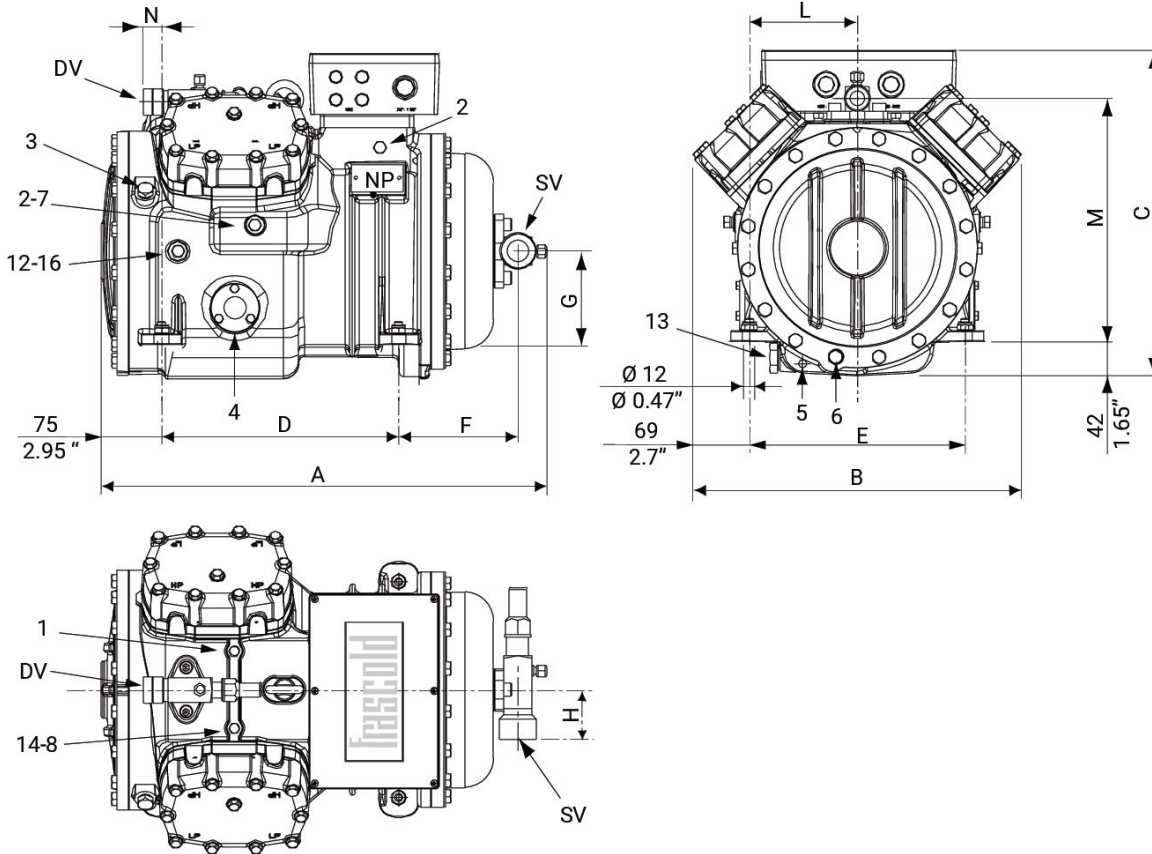
Data sheets

UL Semi-hermetic reciprocating compressors > UL Standard series / for HFC-HCFC-HFO Blends

Accessories:	
Oil heater (230V-70W)	T00CH1-RIC
CC capacity control head 230V AC	T00SK220100
US unloader start head 230V AC	T00SK250100
Optoelectronic oil level switch	T00WK252
Electronic oil level regulator	T00EC1900
Discharge temperature sensor	T00EC50D
Head cooling fan - 230-400V/3/50-60Hz	SZ-FM2S
Kit adapters for oil equalization line - 1" ROT 5/8" ODS	T00SK170200
Kit adapters for oil equalization line - 1"1/4 ROT 1"1/8 ODS	T00SK170300

Data sheets

UL Semi-hermetic reciprocating compressors > UL Standard series / for HFC-HCFC-HFO Blends



Dimensional drawing:

SV Suction valve	mm	35
SV Suction valve	inch	1 3/8
DV Discharge valve	mm	28.6
DV Discharge valve	inch	1 1/8
A Length	mm	550
B Width	mm	405
C Height	mm	405
D Base mounting	mm	292
E Base mounting	mm	266
F Suction valve	mm	147
G Suction valve	mm	115
H Suction valve	mm	58
L Discharge valve	mm	133
M Discharge valve	mm	298
N Discharge valve	mm	23
1 High pressure plug		1/8" NPT

2 Low pressure plug		1/8" NPT
3 Oil charge plug		1/4" GAS
4 Oil level sight glass		-
5 Crankcase heater		-
6 Oil drain plug		M10 x 30
7 Liquid injection valve plug		1/4" NPT
8 Liquid injection sensor plug		1/8" NPT
12 Oil return plug		1/4" NPT
13 Magnetic plug		1/2" GAS
14 Max. discharge temperature sensor		1/8" NPT
16 Crankcase pressure plug		1/4" NPT
DV Discharge valve		-
SV Suction valve		-
NP Name Plate		-