

Model

Designation	HXD30MA	220-240V/50Hz 1~	Sales code:	CDO00081
-------------	----------------	-------------------------	-------------	-----------------

Compressor design

Oil type	Mineral	Refrigerant(s)	R600a
Oil viscosity	5cSt	Displacement	3cm ³ / 0,18cu.in
Oil quantity	84cm ³ / 2,8fl.oz	Compressors on pallet	168
Refr. charge - tech. limit	110g / 3,9oz		
Free gas volume comp.	837cm ³ / 28,3fl.oz		
Weight	3,6kg / 7,9lbs		
Motor protection	external		
Winding resistance main	66,1Ω (at 25°C)		
Winding resistance aux	43Ω (at 25°C)		
Max. winding temp.	120°C / 248°F		
Max. discharge temp.	120°C / 248°F		



General - Configurations with HXD30MA

	Conf. 1	Conf. 2
Motorconfiguration	RSCR	RSIR
Power supply (nominal)	220-240V/50Hz	220-240V/50Hz
Number of phases	1	1
Voltage range	187-254V	187-254V
Approvals	VDE	VDE
Starting torque	LST	LST
Note	Electrical equipment will be pre-assembled to compressor.	

Applications with HXD30MA

	Conf. 1	Conf. 2
Refrigerant	R600a	R600a
Application	LBP+MBP	LBP+MBP
System cooling	static	static
Hot gas defrost	-/-	-/-
Long interval pull down	OK	OK

Electrical data - Configurations with HXD30MA

	Conf. 1	Conf. 2
Starting device type	PTC	PTC
Run capacitor	2μF	0μF
Start capacitor	0μF	0μF
LRA (locked rotor amps / 4s)	1,7A	1,7A
RLA (rated load amps / 1s)	0,15A	0,15A
Cut in current	4,5A	4,5A
IP class	21	21

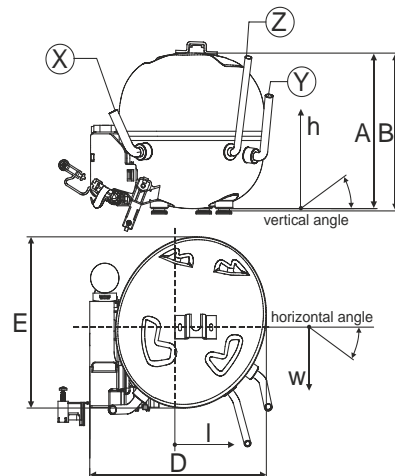
Model

Designation	HXD30MA	220-240V/50Hz 1~	Sales code:	CDO00081
-------------	----------------	-------------------------	-------------	-----------------

Compressor dimensions

Housing	A Height	133mm / 5,24in
	B Height	134,5mm / 5,3in
	C Length shell	135mm / 5,31in
	D Length w. cover	159mm / 6,26in
	E Width	147mm / 5,79in

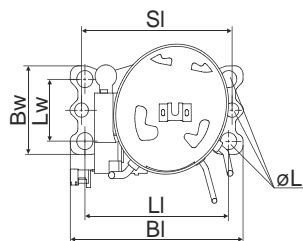
Connectors		Suction	Discharge	Process
		X	Y	Z
Diameter	[mm]	øi 6,1-6,3	øi 4,9-5,1	øo 5,92-6,08
	(i:inside, o:outside) [in]	øi 0,24-0,25	øi 0,19-0,2	øo 0,23-0,24
Material		copper	steel/CU	copper
Horizontal angle	±2°	0°	80°	74°
Vertical angle	±2°	79°	79°	72°
Position l/h/w	[mm]	-54/83/74	87/96/72	69/130/103
	[in]	-2,1/3,3/2,9	3,4/3,8/2,8	2,7/5,1/4,1
Straight tube l.	[mm]	14	14	14
	[in]	0,5	0,5	0,5



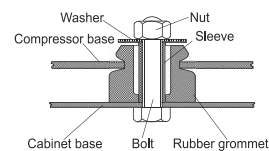
Compressor fixation

Adapter plate

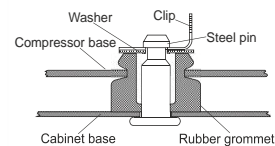
Bolt joint



Baseplate	[mm]	[inch]
BI	204	8,03
Bw	100	3,94
Large holes		
LI	170	6,7
LW	70	2,76
SI	178	7
øL	ø 16	ø 0,63



Snap-on



For standard mounting	one comp.	multi pack
Adapter plate	157008_	
Bolt joint M6 ø16mm	118-1917	118-1918
Bolt joint ø1/4" ø16mm	118-1946	
Snap-on ø7,3 ø16mm	118-1947	118-1919

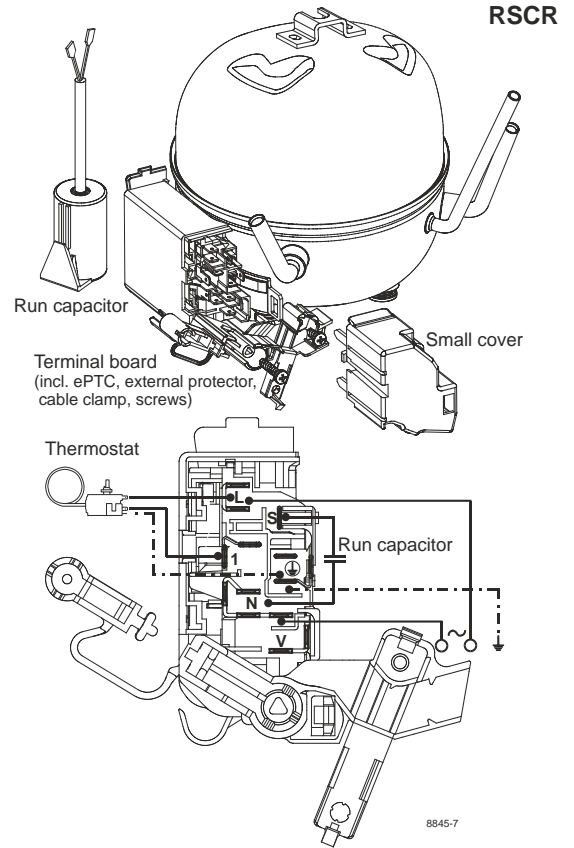
Model

Designation **HXD30MA 220-240V/50Hz** Conf. 1 Sales code: **CDO00081**

Configuration

Motorconfiguration RSCR
 Power supply (nominal) 220-240V/50Hz 1~
 Refrigerant R600a
 Application LBP+MBP
 Voltage range 187-254V
 Starting torque LST
 Approvals VDE

Electrical accessories / wiring diagram

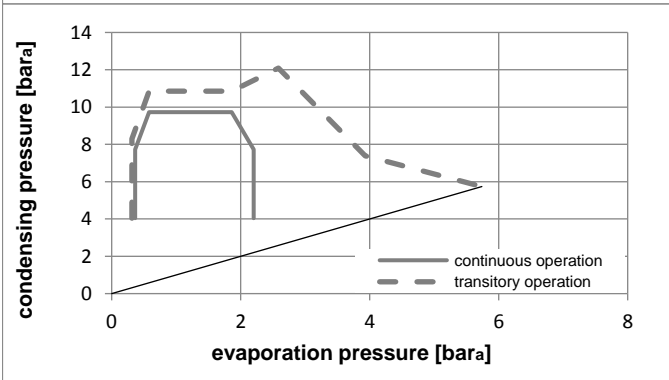
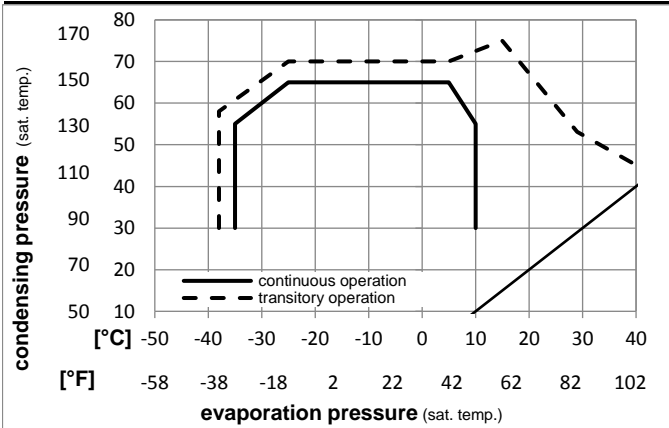


Ambient temperatures / system cooling

Ambient temperature min.: 10°C / 50°F
 Ambient temperature max.: 43°C / 110°F

System cooling			
T ambient	LBP	MBP	HBP
32°C / 90°F	static	static	n/a
38°C / 100°F	static	static	n/a
43°C / 110°F	static	static	n/a

Operation pressure range



Components (will be pre-assembled)

- terminal board (ePTC,4.8mm) BX E6
- motor protector BDG AE 88 AHM x E6
- run capacitor (2µF, 4.8mm) cap. 2µF
- cover terminal board 160943_

Model

Designation **HXD30MA 220-240V/50Hz** Conf. 1 Sales code: **CDO00081**

Optimization + standard conditions

220-240V/50Hz 1~, RSCR, static, VDE

		Evaporating pressure (saturation temperature)				Condensing pressure (saturation temperature)						Power consumption			
		Return gas temp.				Liquid temp.						Current consumption		Ref. mass flow	
		Cooling capacity				COP		EER		P1	I	m			
	pe	pc	RGT	Tliq	[W]	[Btu/h]	[kcal/h]	[W/W]	[Btu/Wh]	[kcal/Wh]	[W]	[A]	[kg/h]		
[°C]	-23,3	54,4	32,2	32,2	46,5	159	40,0	1,52	5,18	1,31	30,6	0,15	0,50	ASHRAE LBP	
[°F]	-10	130	90	90											
[°C]	-25	55	32	55	33,9	116	29,2	1,16	3,95	1,00	29,3	0,14	0,44	cecomaf LBP	
[°F]	-13	131	89,6	131											
[°C]	-35	40	20	40	21,7	74	18,7	1,01	3,44	0,87	21,6	0,10	0,26	EN12900 LBP	
[°F]	-31	104	68	104											
[°C]	-6,66	54,4	35	46,1	99,6	340	85,8	2,30	7,87	1,98	43,3	0,21	1,19	ASHRAE MBP	
[°F]	20	130	95	115											
[°C]	-10	55	32	55	77,8	266	67,0	1,90	6,48	1,63	41,0	0,20	1,02	cecomaf MBP	
[°F]	14	131	89,6	131											
[°C]	-10	45	20	45	87,9	300	75,7	2,29	7,81	1,97	38,4	0,18	1,13	EN12900 MBP	
[°F]	14	113	68	113											

Performance tables

220-240V/50Hz 1~, RSCR, static, VDE

	pe	Cooling capacity			COP		EER		P1	I	m
	[°C]	[°F]	[W]	[Btu/h]	[kcal/h]	[W/W]	[Btu/Wh]	[kcal/Wh]	[W]	[A]	[kg/h]
[°C / °F]	-35	-31	18,8	64	16,2	0,88	3,01	0,76	21,3	0,10	0,22
cond. pressure	-25	-13	41,8	143	36,0	1,44	4,93	1,24	28,9	0,14	0,50
pc= 45/113	-15	5	72,2	246	62,1	2,03	6,95	1,75	35,5	0,17	0,86
return gas temp.	-10	14	91,5	312	78,7	2,38	8,13	2,05	38,4	0,18	1,10
RGT= 32/90	0	32	141,1	482	121,5	3,22	10,99	2,77	43,9	0,21	1,70
liquid temp	5	41	172,6	589	148,5	3,72	12,70	3,20	46,4	0,22	2,09
Tliq= 45/113	10	50	209,1	714	180,0	4,28	14,61	3,68	48,9	0,23	2,54
[°C / °F]	-35	-31	11,3	39	9,7	0,55	1,88	0,47	20,5	0,10	0,15
cond. pressure	-25	-13	33,9	116	29,2	1,16	3,95	1,00	29,3	0,14	0,44
pc= 55/131	-15	5	61,1	209	52,6	1,64	5,60	1,41	37,3	0,18	0,80
return gas temp	-10	14	77,8	266	67,0	1,90	6,48	1,63	41,0	0,20	1,02
RGT= 32/90	0	32	120,1	410	103,4	2,49	8,51	2,14	48,2	0,23	1,59
liquid temp	5	41	146,9	502	126,4	2,84	9,69	2,44	51,7	0,25	1,95
Tliq= 55/131	10	50	178,0	608	153,2	3,22	11,00	2,77	55,2	0,27	2,37

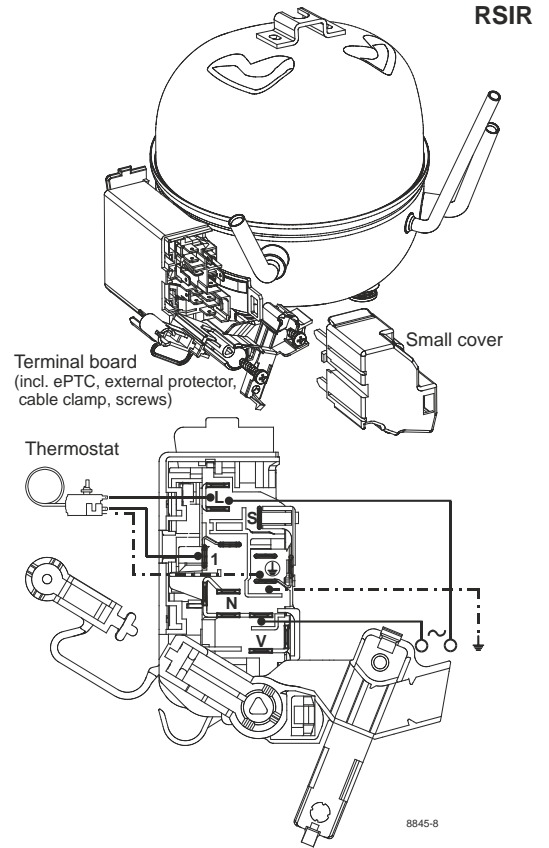
Model

Designation **HXD30MA 220-240V/50Hz** Conf. 2 Sales code: **CDO00081**

Configuration

Motorconfiguration RSIR
 Power supply (nominal) 220-240V/50Hz 1~
 Refrigerant R600a
 Application LBP+MBP
 Voltage range 187-254V
 Starting torque LST
 Approvals VDE

Electrical accessories / wiring diagram

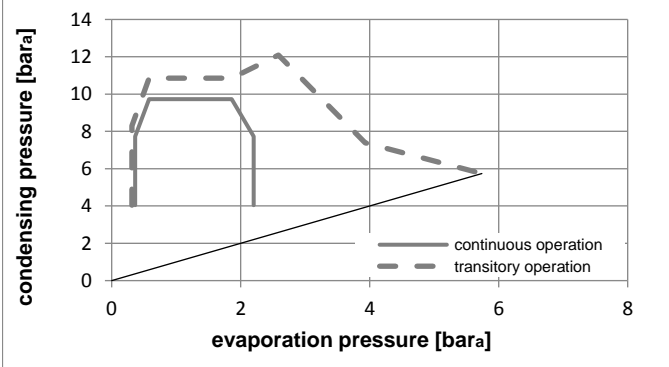
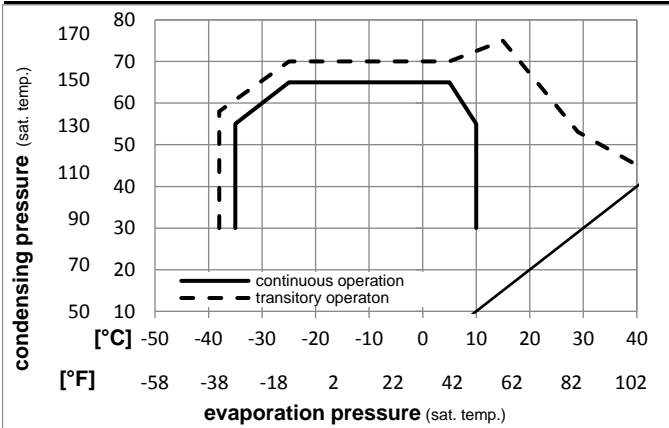


Ambient temperatures / system cooling

Ambient temperature min.: 10°C / 50°F
 Ambient temperature max.: 43°C / 110°F

System cooling			
T ambient	LBP	MBP	HBP
32°C / 90°F	static	static	n/a
38°C / 100°F	static	static	n/a
43°C / 110°F	static	static	n/a

Operation pressure range



Components (will be pre-assembled)

- terminal board (ePTC,4.8mm) BX E6
- motor protector BDG AE 88 AHM x E6
- cover terminal board 160943_

Model

Designation	HXD30MA	220-240V/50Hz	Conf. 2	Sales code: CDO00081
-------------	----------------	----------------------	----------------	-----------------------------

Optimization + standard conditions

220-240V/50Hz 1~, RSIR, static, VDE

	Evaporating pressure (saturation temperature)				Condensing pressure (saturation temperature)			Return gas temp.			Liquid temp.			Cooling capacity			COP	EER	Power consumption			ASHRAE LBP
	pe	pc	RGT	Tliq	[W]	[Btu/h]	[kcal/h]	[W/W]	[Btu/WWh]	[kcal/Wh]	P1	I	m	[W]	[A]	[kg/h]	Ref. mass flow					
[°C]	-23,3	54,4	32,2	32,2	45,9	157	39,5	1,43	4,89	1,23	32,1	0,26	0,49									
[°F]	-10	130	90	90																		
[°C]	-25	55	32	55	33,5	115	28,9	1,09	3,74	0,94	30,6	0,25	0,44								cecomaf LBP	
[°F]	-13	131	89,6	131																		
[°C]	-35	40	20	40	22,2	76	19,1	0,98	3,35	0,84	22,6	0,23	0,27								EN12900 LBP	
[°F]	-31	104	68	104																		
[°C]	-6,66	54,4	35	46,1	99,3	339	85,4	2,15	7,34	1,85	46,2	0,30	1,18								ASHRAE MBP	
[°F]	20	130	95	115																		
[°C]	-10	55	32	55	77,4	264	66,6	1,77	6,06	1,53	43,6	0,29	1,02								cecomaf MBP	
[°F]	14	131	89,6	131																		
[°C]	-10	45	20	45	87,7	299	75,4	2,15	7,34	1,85	40,8	0,28	1,13								EN12900 MBP	
[°F]	14	113	68	113																		

Performance tables

220-240V/50Hz 1~, RSIR, static, VDE

	pe	Cooling capacity			COP			EER			P1	I	m
	[°C]	[°F]	[W]	[Btu/h]	[kcal/h]	[W/W]	[Btu/WWh]	[kcal/Wh]	[W]	[A]	[kg/h]		
[°C / °F]	-35	-31	19,5	67	16,8	0,87	2,96	0,75	22,5	0,23	0,23		
cond. pressure	-25	-13	41,4	141	35,7	1,37	4,68	1,18	30,2	0,25	0,49		
pc= 45/113	-15	5	71,8	245	61,8	1,92	6,55	1,65	37,4	0,27	0,86		
return gas temp.	-10	14	91,2	312	78,5	2,24	7,64	1,93	40,8	0,28	1,09		
RGT= 32/90	0	32	141,0	481	121,3	3,01	10,27	2,59	46,9	0,30	1,70		
liquid temp	5	41	172,2	588	148,2	3,47	11,85	2,99	49,6	0,31	2,08		
Tliq= 45/113	10	50	208,2	711	179,2	3,99	13,64	3,44	52,1	0,32	2,53		
[°C / °F]	-35	-31	12,4	43	10,7	0,57	1,96	0,49	21,7	0,22	0,16		
cond. pressure	-25	-13	33,5	115	28,9	1,09	3,74	0,94	30,6	0,25	0,44		
pc= 55/131	-15	5	60,5	207	52,1	1,54	5,25	1,32	39,4	0,28	0,79		
return gas temp	-10	14	77,4	264	66,6	1,77	6,06	1,53	43,6	0,29	1,02		
RGT= 32/90	0	32	120,0	410	103,3	2,31	7,89	1,99	51,9	0,32	1,58		
liquid temp	5	41	146,7	501	126,3	2,62	8,96	2,26	55,9	0,33	1,95		
Tliq= 55/131	10	50	177,6	607	152,8	2,97	10,15	2,56	59,8	0,34	2,37		