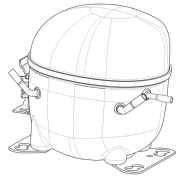


**220-240V 50 1~****GENERAL DATA**

**Application:** MBP  
**Refrigerant:** R404A  
**Evaporating Temperature Range:** -20°C to 10°C  
**Compressor Cooling:** Fan  
**Fan air flow:** 520 m<sup>3</sup>/h  
**Type:** Hermetic reciprocating  
**Technology Type:** On-Off  
**Expansion Device:** Capillary Tube or Expansion Valve  
**Packing Quantity:** Multi - 28 pcs  
**Displacement:** 12.11 cm<sup>3</sup>  
**Horse power:** 3.4 hp

Approvals:     

**MECHANICAL DATA**

**Bore:** 27.78 mm  
**Stroke:** 20 mm  
**Oil Charge:** 350ml +/-15ml  
**Free Internal Volume:** 2.1 cm<sup>3</sup>  
**Maximum Recommended Refrigerant Charge:** 350 g  
**Oil Type Configuration:** Polyolester  
**Oil Type Viscosity:** ISO22  
**Compressor pressurization:** Dry air charge  
**Weight:** 12.3 kg

**ELECTRICAL DATA**

**Motor Type:** CSR  
**Starting Torque:** HST  
**Voltage working range at 50 Hz:** 198-254 V  
**Maximum Motor Temperature:** 130 °C  
**Start Winding Resistance:** 13.91 Ω (± 10%) at 25°C  
**Run Winding Resistance:** 4.48 Ω (± 10%) at 25°C  
**Locked Rotor Amperage (LRA):** 22 A

**MOUNTING ACCESSORIES**

	Description	Code
<b>Terminal Board:</b>	no	-
<b>Anchorage:</b>	no	-
<b>Capacitor Bracket:</b>	no	-
<b>Washer:</b>	no	-
<b>Pin:</b>	no	-
<b>Clip:</b>	no	-
<b>Rotolock valve:</b>	no	-
<b>Grommets:</b>	yes	2221011
<b>Sleeves:</b>	yes	2222018
<b>Overload Protector Bracket:</b>	yes	2075299
<b>Cover:</b>	yes	2075278

**ELECTRICAL COMPONENTS**

	Component type	Description	Code
<b>Starting Device:</b>	Potential relay	RVA3AN3C-647	1253026
<b>Start Capacitor:</b>		88-108 MFD 330V	2252269
<b>Motor Protection:</b>	External 3/4"	T0634/G9	2321002
<b>Run Capacitor:</b>		10 MFD	2253316
<b>CSR / CSIR Box:</b>	yes		1272379

**EXTERNAL CHARACTERISTICS**

**Base Plate:** European  
**Tray Holder:** No  
**Height:** 206 mm

	Internal Diameter (mm)	Material	Shape
<b>Suction Connector</b>	8.1	Copper	Slanted 42°
<b>Discharge Connector</b>	6.1	Copper	Straight



**RATED POINT DATA**

Cooling Capacity (W)	Power Consumption (W)	Current Consumption (A)	Gas Flow Rate (kg/h)	Efficiency (W/W)
±5%	±5%	±5%	±5%	±7%
1 995	857	4.05	55.77	2.33

Test condition: ASHRAE, Fan, Return Gas 35°C, Subcooling 8.3K, Evaporating: 7.2°C, Condensing: 54°C, Ambient: 35°C

**PERFORMANCE CURVE DATA**

**220V 50Hz**

Condensing Temperature (°C)	Evaporating Temperature (°C)	Cooling Capacity (W)	Power Consumption (W)	Current Consumption (A)	Gas Flow Rate (kg/h)	Efficiency (W/W)
		±5%	±5%	±5%	±5%	±7%
<b>35°C</b>	10	2 818	735	3.53	64.17	3.83
	5	2 420	683	3.28	54.44	3.54
	0	2 056	632	3.04	45.79	3.25
	-5	1 727	582	2.81	38.13	2.96
	-10	1 432	534	2.60	31.40	2.68
	-15	1 172	487	2.40	25.54	2.40
	-20	947	442	2.22	20.48	2.14

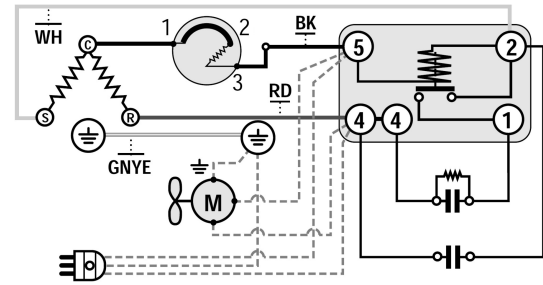
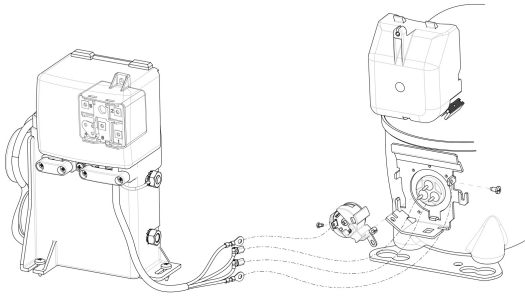
Condensing Temperature (°C)	Evaporating Temperature (°C)	Cooling Capacity (W)	Power Consumption (W)	Current Consumption (A)	Gas Flow Rate (kg/h)	Efficiency (W/W)
		±5%	±5%	±5%	±5%	±7%
<b>45°C</b>	10	2 474	814	3.88	62.52	3.04
	5	2 116	752	3.60	52.75	2.81
	0	1 790	692	3.32	44.11	2.59
	-5	1 497	634	3.06	36.52	2.36
	-10	1 236	579	2.81	29.92	2.14
	-15	1 008	525	2.57	24.26	1.92
	-20	813	474	2.35	19.45	1.72

Condensing Temperature (°C)	Evaporating Temperature (°C)	Cooling Capacity (W)	Power Consumption (W)	Current Consumption (A)	Gas Flow Rate (kg/h)	Efficiency (W/W)
		±5%	±5%	±5%	±5%	±7%
<b>55°C</b>	10	2 150	908	4.27	61.40	2.37
	5	1 827	833	3.94	51.42	2.19
	0	1 534	761	3.62	42.63	2.02
	-5	1 273	692	3.31	34.96	1.84
	-10	1 041	625	3.02	28.34	1.67

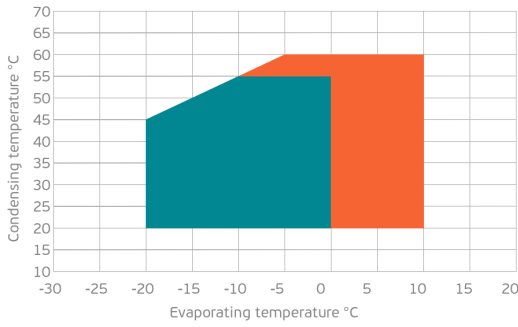
Test condition: ASHRAE, Fan, Return Gas 35°C, Subcooling 8.3K, Ambient: 35°C

**ASSEMBLY INSTRUCTION**

**WIRING DIAGRAM**

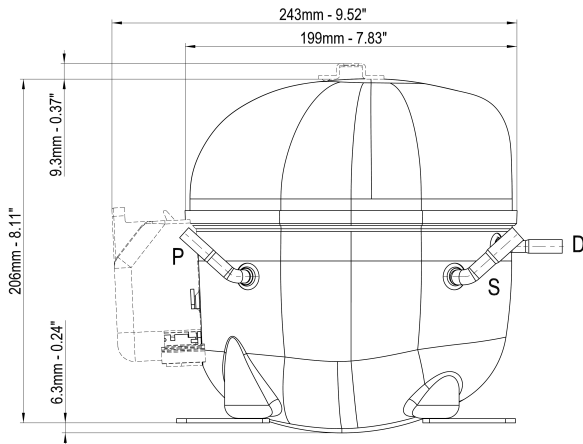


**OPERATING ENVELOPE**

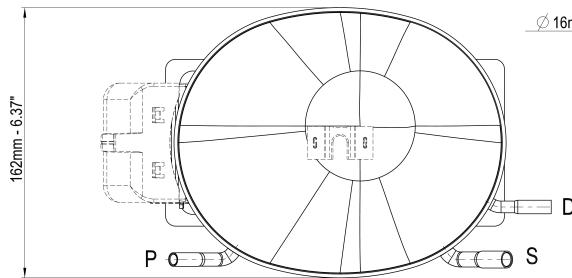


- Operating Condition
- Transient Condition
- Superheating

**NOTE:** usage of compressors outside of intended working range cannot make use of the warranty, or should be consulted with Technical support.



	∅ mm	∅ in	Material
<b>S - Suction</b>	8.10 - 8.20	0.32	Cu
<b>P - Process</b>	6.10 - 6.20	0.24	Cu
<b>D - Discharge</b>	6.10 - 6.20	0.24	Cu



∅ 16mm - 0.63" (x6)

