

12		11		10		9		8		7		6		5		4		3		2		1	
PART NO.	MODEL NUMBER	A ± 3.0	B ± 3.0	C ± 3.0	SPECIFICATIONS																		
					ES NO.	DESCRIPTION																	
		ES92-155 CONVERSION-METRIC																					
497-0877-00	ZB30/38/45KQ(E)-***-523	437.7 [17.23]	409.6 [16.13]	OMIT																			
497-0877-01	ZB48KQ(E)-***-523	443.4 [17.46]	413.7 [16.30]	OMIT																			
497-0877-02	ZB30/38KQ(E)-***-559	437.7 [17.23]	409.6 [16.13]	91.3 [3.59]																			
497-0877-03	ZB45KQ(E)-***-559 ZB30/38KQ(E)-***-559	437.7 [17.23]	409.6 [16.13]	77.2 [3.04]																			
497-0877-04	ZB48KQ(E)-***-559	443.4 [17.46]	413.7 [16.30]	77.2 [3.04]																			

NOTES:

1. ALL TOLERANCES ±1.50 [0.060] UNLESS OTHERWISE SPECIFIED.

DUE TO ACCUMULATED ASSEMBLY TOLERANCES THE LISTED COMPONENTS MAY VARY FROM THE MOUNTING HOLES AS SHOWN BELOW:

2. SUCTION FITTING : ±3.0 [0.12]

3. DISCHARGE FITTING: ±3.0 [0.12]

2. TUBE ENDS MUST BE PLUGGED.

3. TORQUE T-BLOCK SCREWS TO 2.4-2.6 Nm [21-23 IN LBS].

4. FOR MORE INFORMATION SEE PRODUCT CATALOG.

5. FULL HEIGHT OF COMPRESSOR DOES NOT INCLUDE MOUNTING SPACERS.

6. MOUNTING KIT:

GROMMET DUROMETER	4 FOOT KIT
35-45	527-0116-00



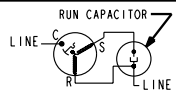
USE COPPER CONDUCTORS ONLY. USE MINIMUM 75° C WIRE FOR AMPACITY DETERMINATION. INTERNAL MOTOR PROTECTION - ALLOW TIME FOR RESET. OVERCURRENT PROTECTION DEVICE RATING AND TYPE MUST BE IN ACCORDANCE WITH REGULATORY AGENCY END PRODUCT APPROVALS - SEE SYSTEM NAMEPLATE. CRANKCASE HEATER, WHEN APPLIED, MUST BE CONNECTED ONLY TO ITS RATED VOLTAGE. TO CORRECT IMPROPER ROTATION OF THREE PHASE MODELS, SWITCH ANY TWO SUPPLY LINES. REFER TO THE APPLICABLE SYSTEM WIRING DIAGRAM.

COMPRESSOR WIRING DIAGRAM

COMPRESSOR WIRING DIAGRAM

SINGLE PHASE MOTOR WITH INTERNAL PROTECTION

THREE PHASE MOTOR WITH INTERNAL PROTECTION



ENG NOTICE NO.	REV. NO.	REVISIONS	DATE	BY	CHKD	APP'D
ECN000148	2	ADDED CPC SYMBOL	01-26-11	FY	LZC	CA
ECN000218	1	CHANGE FROM 10 AL MOUNTING KIT WITH BOM NUMBER	09-21-10	FY	LZC	SA
ECN001009	0	RELEASED - 00 TO -04	01-02-09	FY	LZC	SA

CONFIDENTIALITY NOTICE
THIS DRAWING AND INFORMATION CONTAINED HEREIN ARE THE EXCLUSIVE PROPERTY OF EMERSON CLIMATE TECHNOLOGIES, INC. AND SHALL BE RETURNED UPON DEMAND AND SHALL NOT BE REPRODUCED IN WHOLE OR IN PART, DISCLOSED TO ANYONE ELSE OR USED, WITHOUT THE WRITTEN CONSENT OF EMERSON CLIMATE TECHNOLOGIES, INC.

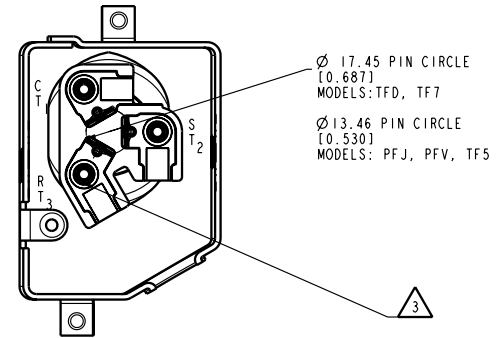
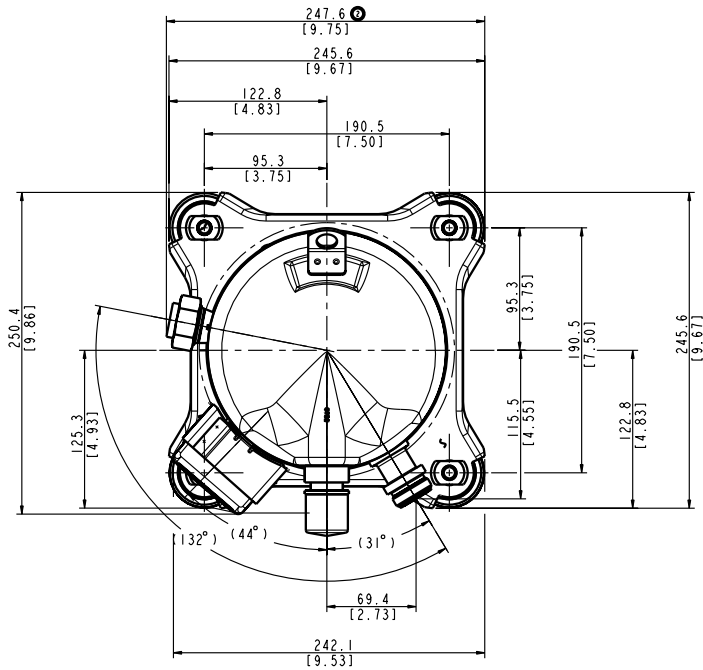
DATE: 07-02-09
SCALE: 3:4
DATE FORMAT: MM-DD-YY

EMERSON CLIMATE TECHNOLOGIES, INC.
SUPERSEDES DWG. NO. / REV. NO.: 497-3544-00 / 30
INITIALS: N/A
DRAWN BY: N/A
DATE: 07-02-09
SCALE: 3:4
DATE FORMAT: MM-DD-YY

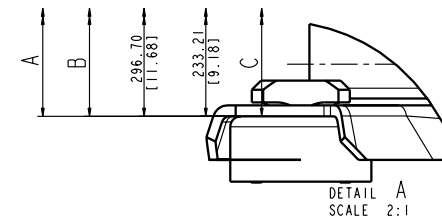
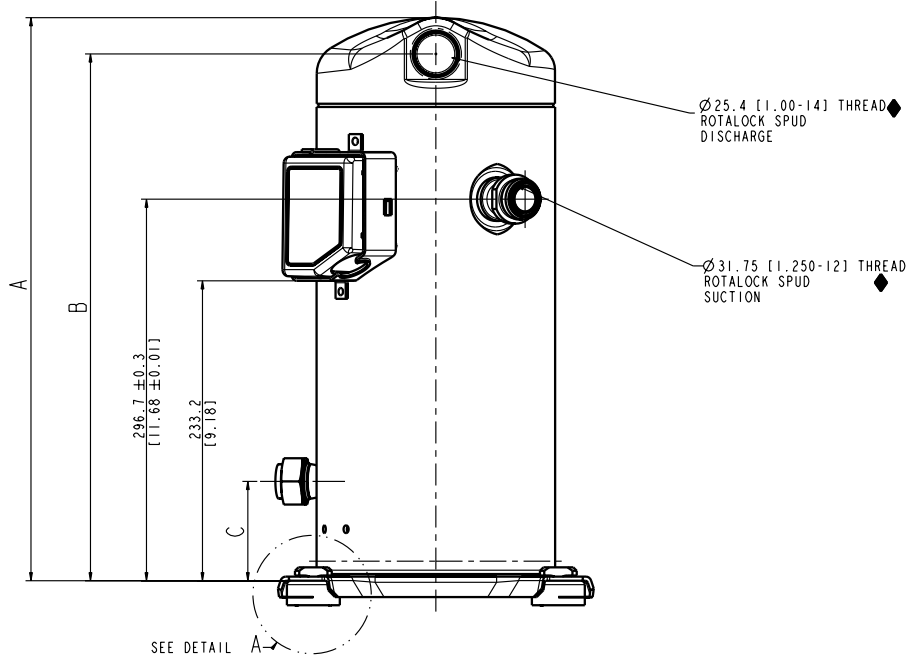
TITLE: REF DWG-WELD COMP ASSM
DRAWING NUMBER: 497-0877-00
SHEET 1 OF 2

UNCONTROLLED - DO NOT MODIFY

COPYRIGHT EMERSON CLIMATE TECHNOLOGIES, INC. - CONFIDENTIAL



TERMINAL BOX LAYOUT OPTIONS
TERMINAL BOX COVER NOT SHOWN
SCALE 3:2



ENG NOTICE NO.	REV. NO.	DESCRIPTION	DATE	BY	APP'D
ECN00140	2	UPDATED SIGHT GLASS ASSEMBLY	01-26-11	FY	LJC
ECN00018	1	SEE SHEET 1	09-21-10	FY	LJC
ECN00100	0	RELEASED	01-02-09	FY	LJC

INITIALS	DATE	SCALE	DATE FORMAT
N/A	07-02-09	3:2	MM-DD-YY

TITLE	DRAWING NUMBER	SHEET 2 OF 2
REF DWG - WELD COMP ASSM	497-0877-00	6



INTERPRET PER ASME Y14.2M-1994 AND Y14.3M-1994 AND EMERSON CLIMATE TECHNOLOGIES, INC. DESIGN STANDARDS 000022-00. ALL DIMENSIONS UNLESS OTHERWISE SPECIFIED IN TOLERANCES AND UNLESS NOTED IN (INCH) UNLESS OTHERWISE SPECIFIED IN PLACE AND ANGLE ± 0.5°

CONFIDENTIALITY NOTICE
THIS DRAWING AND INFORMATION CONTAINED HEREIN ARE THE EXCLUSIVE PROPERTY OF EMERSON CLIMATE TECHNOLOGIES, INC. AND SHALL BE RETURNED UPON DEMAND AND SHALL NOT BE REPRODUCED IN WHOLE OR IN PART, DISCLOSED TO ANYONE ELSE OR USED, WITHOUT THE WRITTEN CONSENT OF EMERSON CLIMATE TECHNOLOGIES, INC.