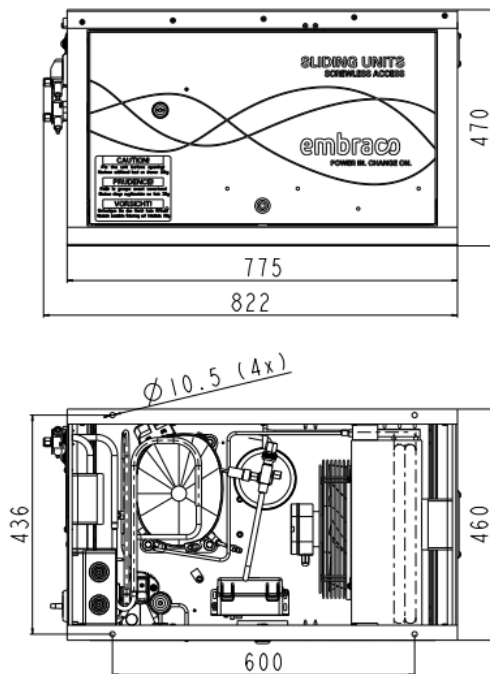


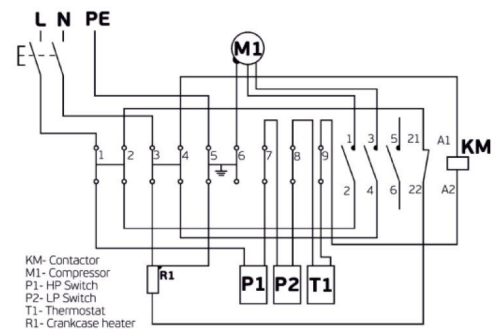
GENERAL DATA

| | |
|-----------------------------|------------------|
| Application: | LBP |
| Refrigerant: | R404A |
| Expansion Device: | C-V |
| Weight: | 65 kg |
| Receiver: | 2.3 liter |
| Voltage/Frequency: | 220 - 240 V 50 ~ |
| Height: | 65 mm |
| Length: | 822 mm |
| Width: | 460 mm |
| Institute Approvals: | CE |

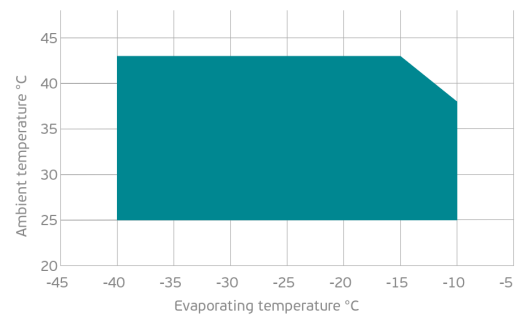
EXTERNAL DIMENSIONS



WIRING DIAGRAM



OPERATING ENVELOPE



COMPONENTS (SPARE PARTS)

| | | |
|---------------------|------------------------------|-------------|
| valve_suca: | SOLDER 1/2" | 2110118 |
| dryer: | FILTER DRYER 10MM ODF | 2730010 |
| lpressostat: | PS1-A3K | 2466036 |
| condenser: | 3R12T | 2451226 |
| heater: | CRANKCASE HEATER 230V/40W | 2464205 |
| compressor: | NT2180GK | 923HA04..AC |

| | | |
|---------------------|-----------------------------|-----------------|
| valve_disch: | SOLDER 3/8" | 2110119 |
| sightglass: | SIGHT GLASS 10MM ODF | 2464040 |
| hpressostat: | P100CP-106D | 2466034 |
| fankit: | AXIAL FAN 230V/50HZ/1PH | 1996726 |
| flexihose: | FLEXI HOSE 10MM ODF | 2464241 |
| elkit: | ELECTRICAL BOX/PROTECTOR | 1996563/2321113 |

For additional accessories please contact our technical support



ELECTRICAL DATA

Motor Type: CSR -
Locked Rotor Amperage (LRA): 35 A
Max.Current: 5.99 A

At maximum evaporating temperature and maximum ambient temperature.

FAN MOTOR

Number: 1 -
Shaft Power: - W
Air Flow: 840 m³/h
Blade Diameter: 250 mm

PERFORMANCE CURVE DATA

Standard: EN13215-RG20 / return gas 20°C, subcooling 3K

50 Hz

| | Evaporating Temperature (°C) | Cooling Capacity (W) | Power Consumption (W) | Current Consumption (A) | Efficiency (W/W) |
|------------------------------|------------------------------|----------------------|-----------------------|-------------------------|------------------|
| 25 °C Ambient Temperature | -10°C | 1 449 | 967 | 4.63 | 1.50 |
| | -15°C | 1 244 | 867 | 4.16 | 1.44 |
| | -20°C | 1 055 | 776 | 3.74 | 1.36 |
| | -25°C | 883 | 694 | 3.37 | 1.27 |
| | -30°C | 725 | 621 | 3.04 | 1.17 |
| | Rated point -35°C | 583 | 557 | 2.76 | 1.05 |
| | -40°C | 456 | 501 | 2.52 | 0.91 |
| 32 °C Ambient Temperature | -10°C | 1 318 | 998 | 4.78 | 1.32 |
| | -15°C | 1 130 | 893 | 4.29 | 1.27 |
| | -20°C | 958 | 799 | 3.85 | 1.20 |
| | -25°C | 801 | 714 | 3.47 | 1.12 |
| | -30°C | 659 | 640 | 3.13 | 1.03 |
| | Rated point -35°C | 531 | 575 | 2.85 | 0.92 |
| | -40°C | 418 | 520 | 2.62 | 0.80 |
| 43 °C Ambient Temperature | -15°C | 966 | 951 | 4.57 | 1.02 |
| | -20°C | 817 | 849 | 4.09 | 0.96 |
| | -25°C | 681 | 757 | 3.68 | 0.90 |
| | -30°C | 559 | 678 | 3.32 | 0.83 |
| | Rated point -35°C | 451 | 609 | 3.02 | 0.74 |
| | -40°C | 356 | 552 | 2.78 | 0.65 |