

MODEL NUMBER	A ± 3.0	B	C	D ± 3.0
ZR40KC/PF ZR40K3/K3E - PFJ, PFV, TFD, TFE, TF5 ZR40K3E - PFJ ZR42KC - PFV ZR42K3/K3E - PFJ, PFV, TFD, TFE, TF5 ZR42K3E - TFD ZR36KH/KHE - PFJ	400.2 [15.76]	374.6 [14.75]	277.1 [10.91]	248.6 [9.79]
ZR30KC - PFV ZR30K3/K3E - PFJ, PFV, TFD, TF5, TFE ZR32KC/PFV ZR32K3/K3E - PFJ, PFV, TFD, TFE, TF5 ZR34KC - PFV ZR34K3/K3E - PFJ, PFV, TFD, TFE, TF5, TF7 ZR34K3E - TFD, PFJ ZR36KC - PFV ZR36K3/K3E - PFJ, PFV, TFD, TFE, TF5	386.4 [15.21]	360.9 [14.21]	264.4 [10.41]	235.9 [9.29]
ZR22K3/K3E - PFJ, PFV, TFD, TF5 ZCH22C1G - PFV/PFJ ZR24K3/K3E - PFJ, PFV, TFD, TF5 ZR26K3/K3E - PFJ, PFV, TFD, TF5 ZR28KC - PFV ZR28K3/K3E - PFJ, PFV, TFD, TF5	363.8 [14.32]	338.3 [13.32]	244.5 [9.63]	216.0 [8.50]
ZR18K3/K3E - PFV	352.8 [13.89]	327.3 [12.89]	233.5 [9.19]	205.0 [8.07]
ZR42KH/KHE - PFZ	417.3 [16.43]	391.7 [15.42]	294.2 [11.58]	265.7 [10.46]

SPECIFICATIONS	
ES NO.	DESCRIPTION
ES92-155	CONVERSION-METRIC

NOTES:

1 ALL TOLERANCES ± 1.50 [0.060] UNLESS OTHERWISE SPECIFIED.

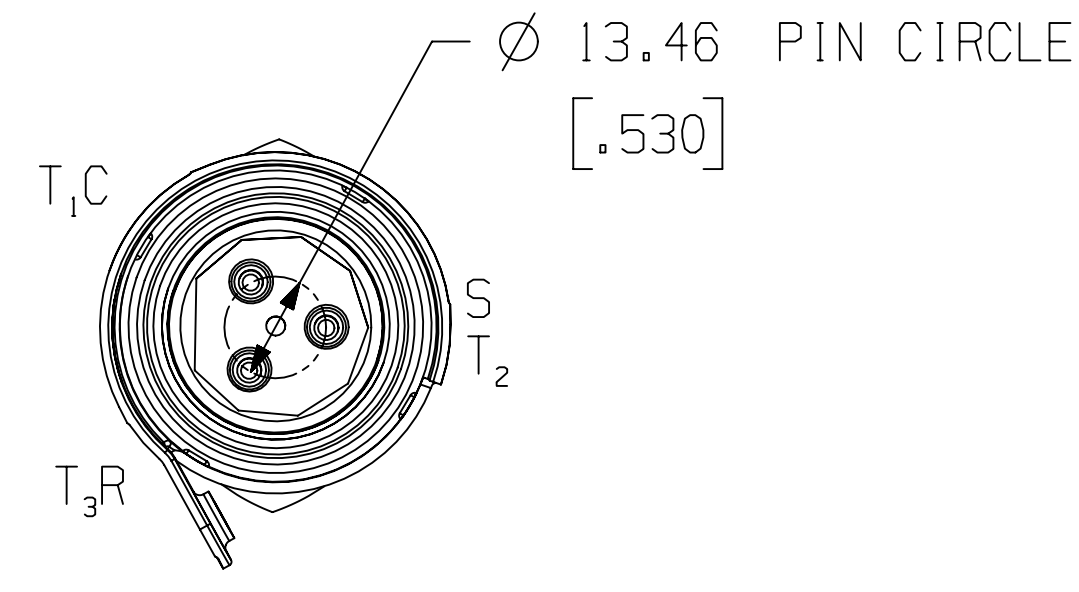
DUE TO ACCUMULATED ASSEMBLY TOLERANCES THE LISTED COMPONENTS MAY VARY FROM THE MOUNTING HOLES AS SHOWN BELOW:

◆ ALL FITTINGS : ± 3.0 [0.12]

2 MOUNTING KIT.

3. TUBE ENDS MUST BE PLUGGED.

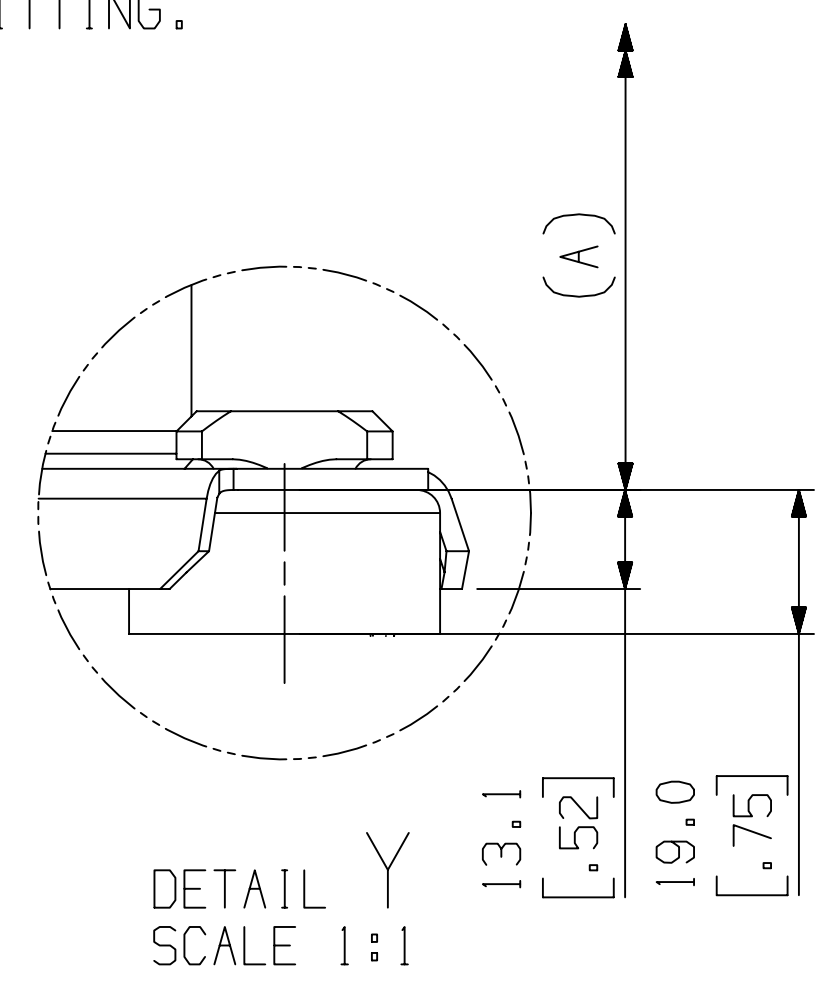
GROMMET DUROMETER	4 FOOT KIT
35-45	527-0116-00



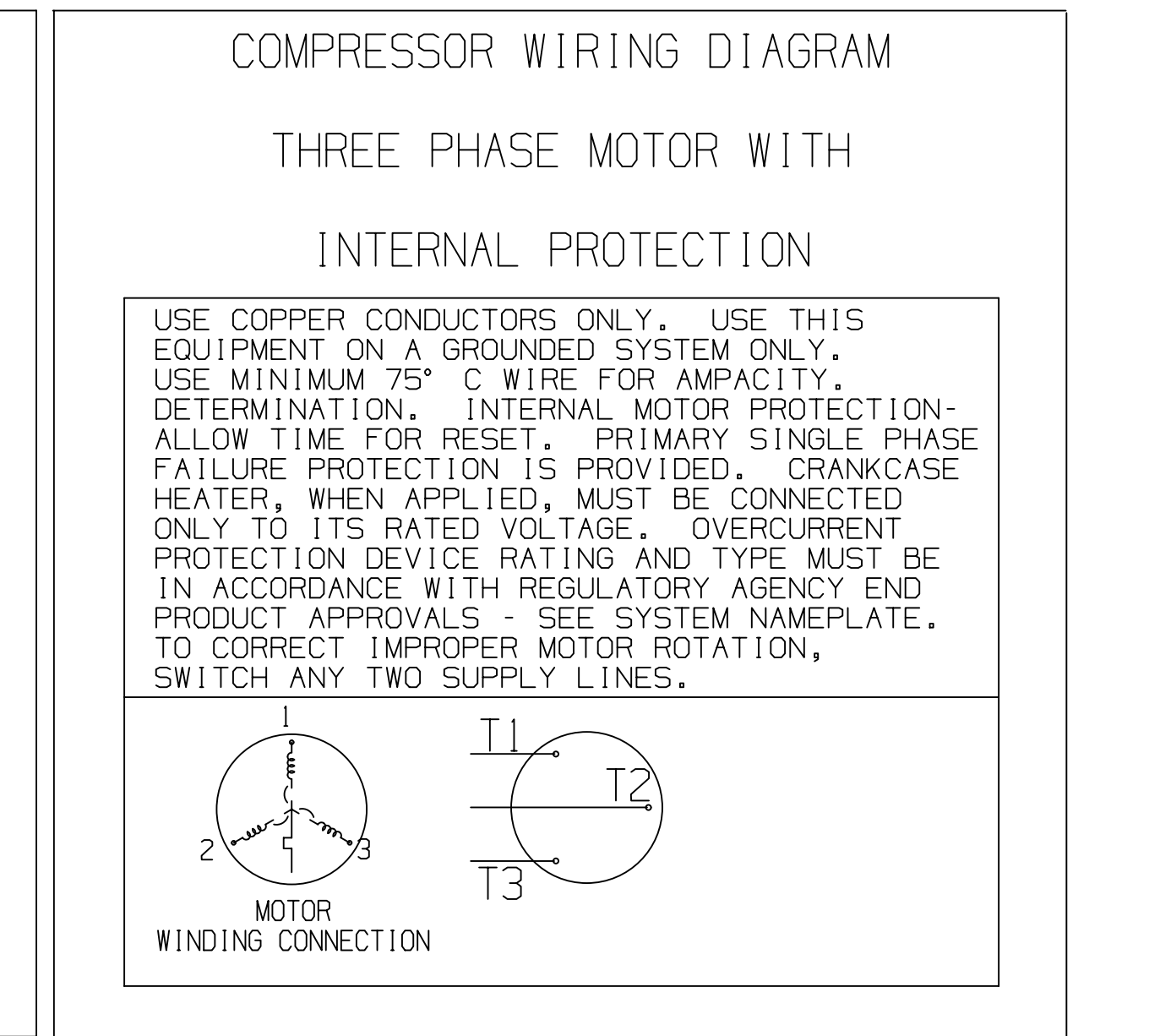
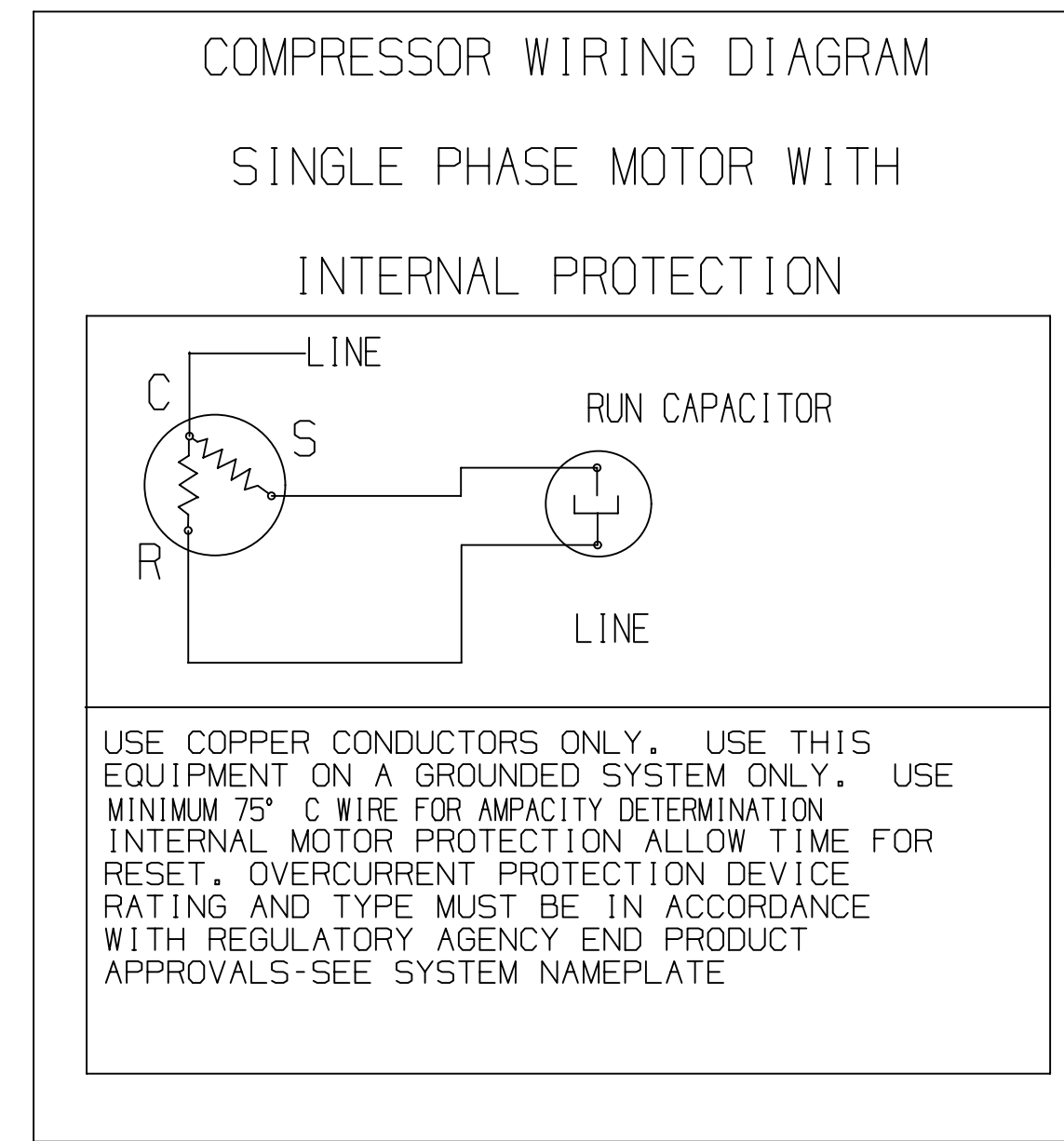
T'BOX LAYOUT SCALE 1:1

12.78-12.95 I.D. ◆
(0.504-0.509)
▽ 10.10 [0.398] MIN
0.038 [0.0015] MIN THICK EXTERIOR AND
0.038 [0.0015] MIN THICK INTERIOR
COPPER PLATED STEEL DISCHARGE FITTING.

19.12-19.30 I.D. ◆
[0.753-0.761]
▽ 17.00 [0.669] MIN.
0.038 [0.0015] MIN THICK EXTERIOR AND
0.038 [0.0015] MIN THICK INTERIOR
COPPER PLATED STEEL SUCTION FITTING.



DETAIL SCALE 1:1



ECN	REV.	DESCRIPTION	DATE	BY	CHKD	APPR
ECN308152	31	REMOVED ZR34K3-TFD/PFJ, ZR40K3-PFJ, ZR42K3-TFD	07-17-18	SZ	ZH	AW
ECN101093	30	ADDED ZR42KH/KHE - PFZ	05-05-15	SZ	LG	AW
ECN100644	29	ADDED ZR36KHE - PFJ	02-12-14	AZ	LG	AW
ECN100312	28	REDRAWN AND ADDED ZR36KH - PFJ	12-01-14	AZ	LG	AW
32-1194-056	0	RELEASED	06-20-95	TAS		

ENG NOTICE NO.	REV.NO.	REVISIONS	DATE	BY	CHKD	APPR
10		CONFIDENTIALITY NOTICE				
THIS DRAWING AND INFORMATION CONTAINED HEREIN ARE THE EXCLUSIVE PROPERTY OF EMERSON CLIMATE TECHNOLOGIES, INC. AND SHALL BE RETURNED UPON DEMAND AND SHALL NOT BE REPRODUCED IN WHOLE OR IN PART DISCLOSED TO ANYONE ELSE OR USED, WITHOUT THE WRITTEN CONSENT OF EMERSON CLIMATE TECHNOLOGIES, INC.						
MATERIAL SPECIFICATION		DRAWN BY	SUPERSEDES DWG. NO. / REV. NO.			
N/A		AZ	497-2604-00/027			
		DATE	SCALE	DATE FORMAT:		
		12-01-14	1:2	MM-DD-YY		
TITLE		DRAWING NUMBER		SHEET 1 OF 1		DWG
REF DWG-WELD COMP ASSM		497-2604-00				4
						SIZE

EMERSON
Climate Technologies

INTERPRET PER ASME Y14.5M-1994 AND EMERSON CLIMATE TECHNOLOGIES, INC. DESIGN STANDARDS DS2002

DO NOT SCALE DRAWING

THIRD ANGLE PROJECTION

CRITICAL PRODUCT CHARACTERISTICS

UNLESS OTHERWISE SPECIFIED DIMENSIONS ARE MILLIMETER OR (1 INCH)

1-PLACE ±
2-PLACE ±
ANGULAR ± N/A

Copeland
brand products