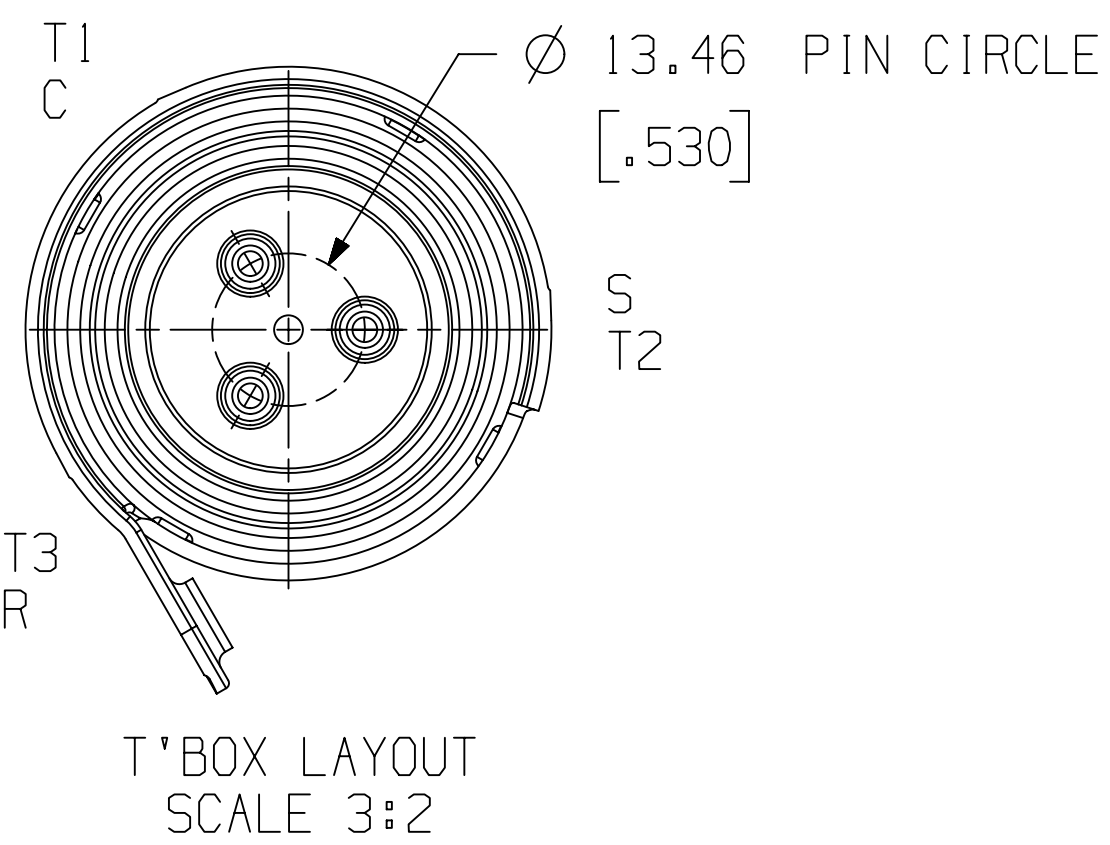
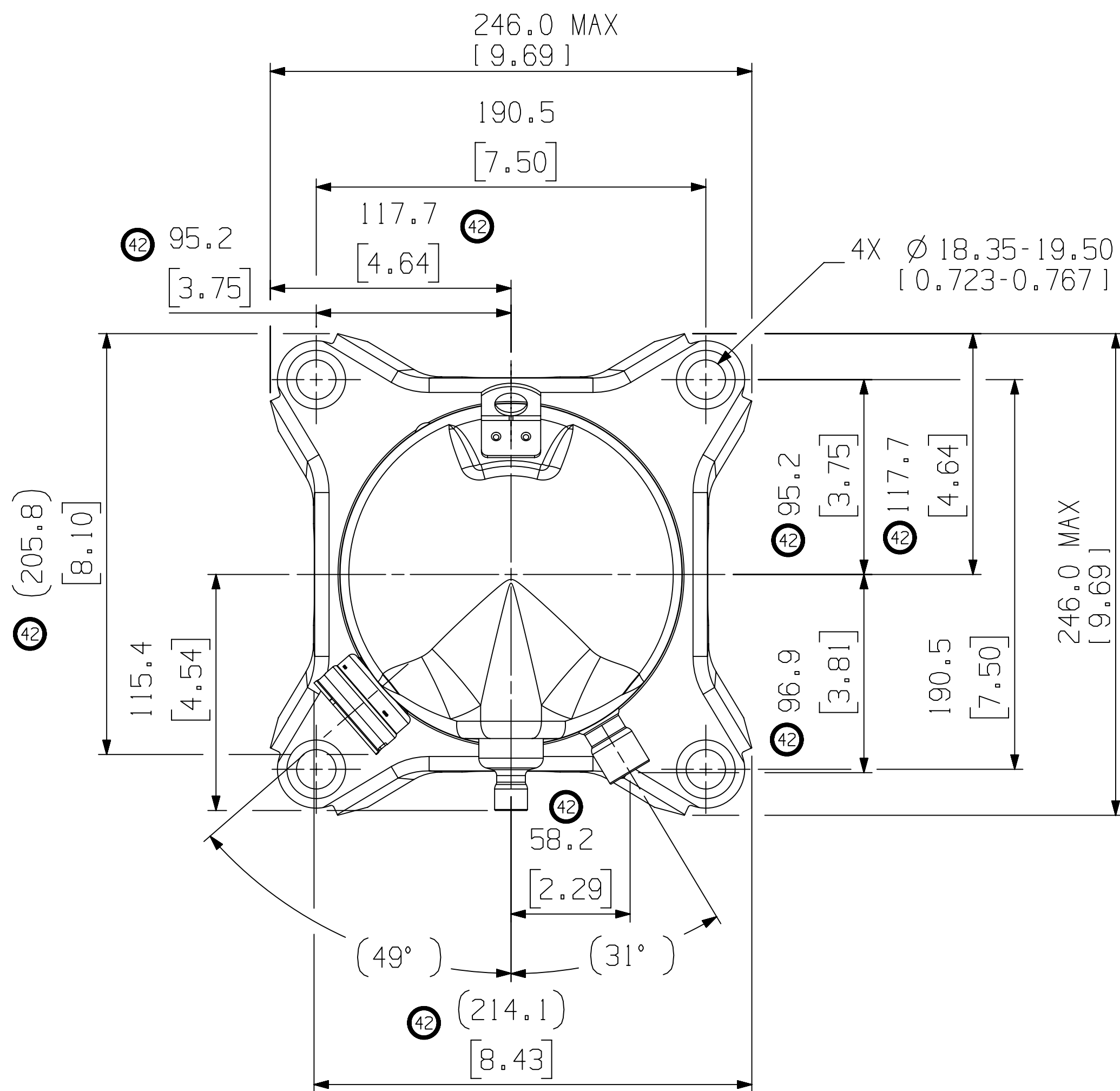


PART NUMBER	A ±3.0	B	C ±3.0	D ±3.0	MODEL NUMBER
497-2699-00	362.2 [14.26]	338.4 [13.32]	244.6 [9.63]	229.1 [9.02]	ZP23K3E-PFV
497-2699-01	397.5 [15.65]	371.5 [14.63]	277.9 [10.94]	263.5 [10.37]	ZP41K3E-TF5

SPECIFICATIONS	
ES NO.	DESCRIPTION
ES92-155	CONVERSION-METRIC



NOTES:

1 ALL TOLERANCES ± 1.5 [0.06] UNLESS OTHERWISE SPECIFIED.

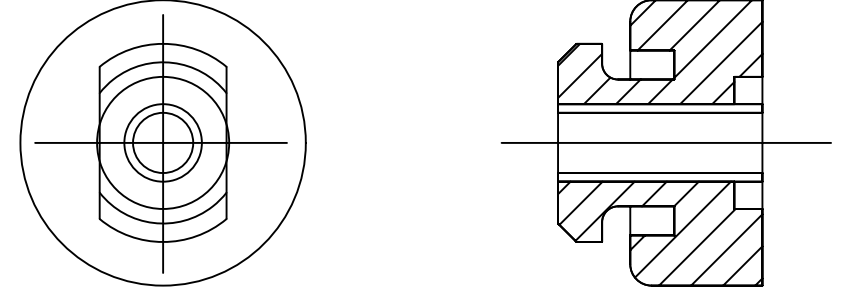
DUE TO ACCUMULATED ASSEMBLY TOLERANCES THE LISTED COMPONENTS MAY VARY FROM THE MOUNTING HOLES AS SHOWN BELOW:

ALL FITTINGS : ± 3.0 [0.12]

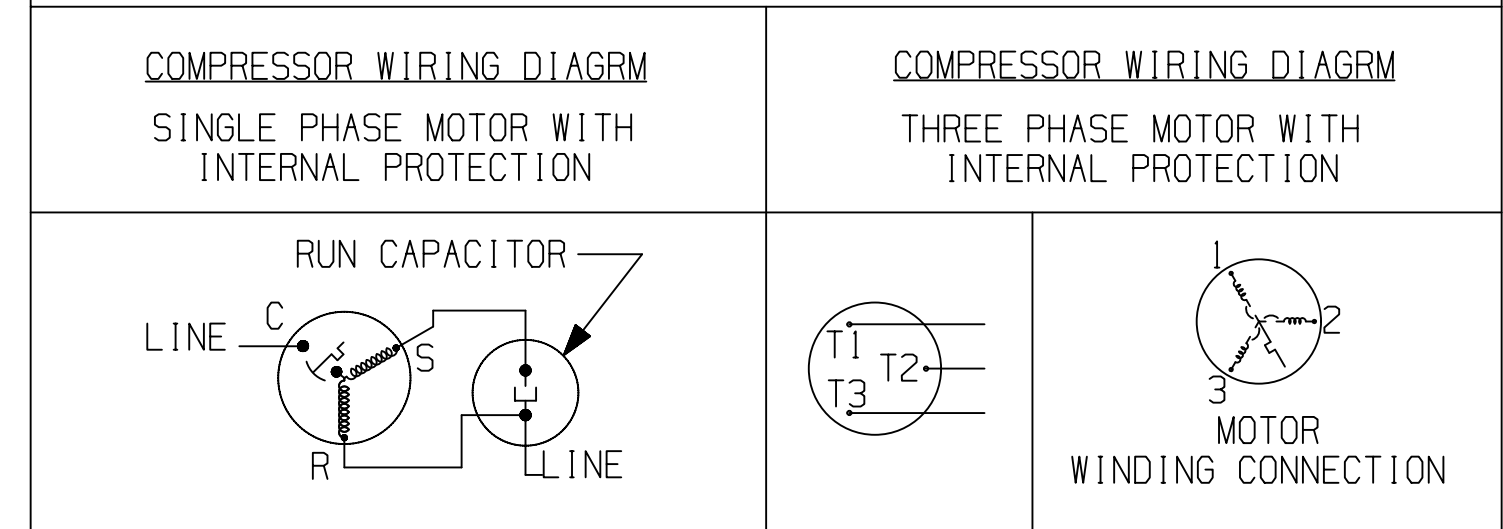
2 MOUNTING KIT.

3. TUBE ENDS MUST BE PLUGGED.

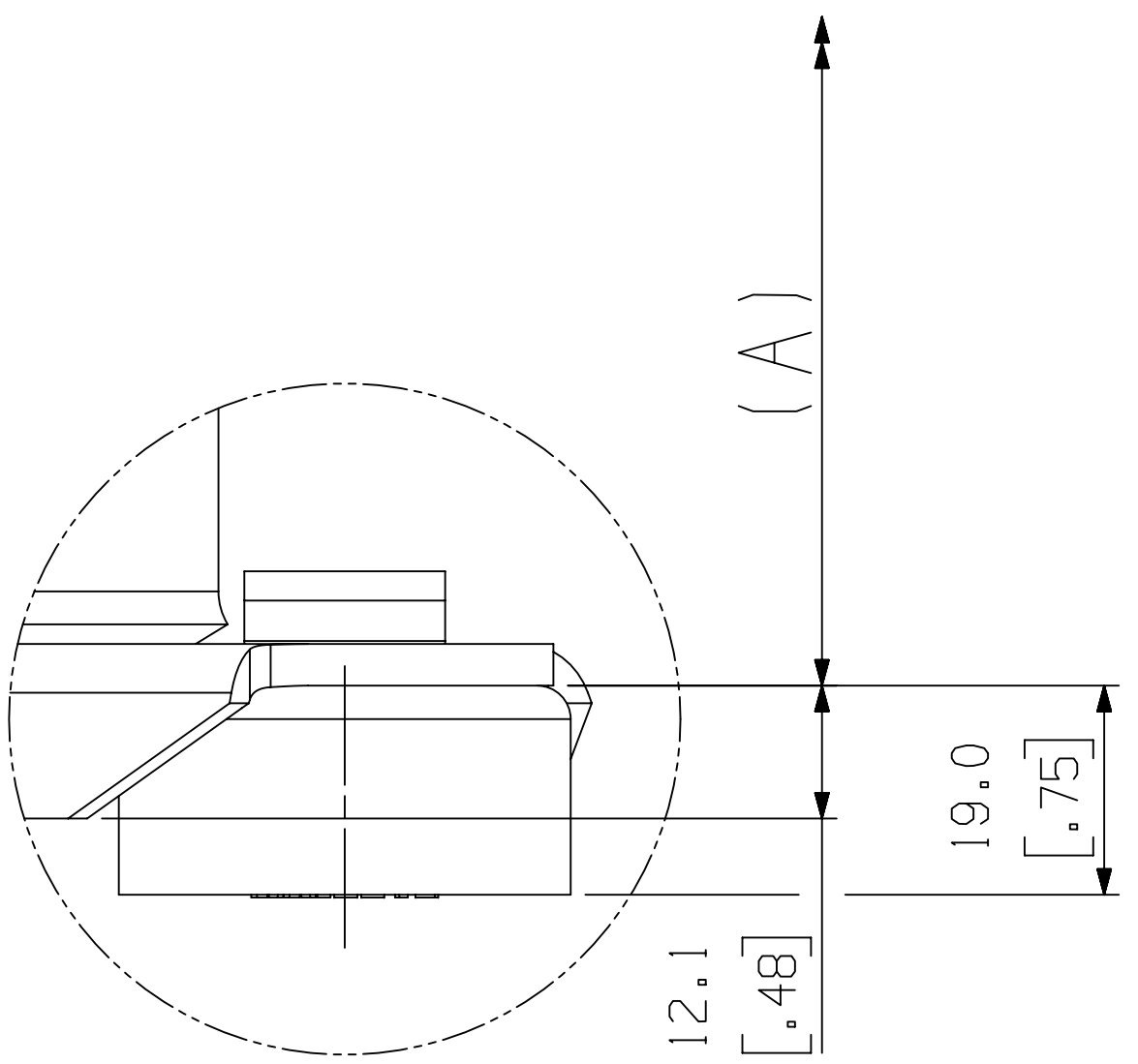
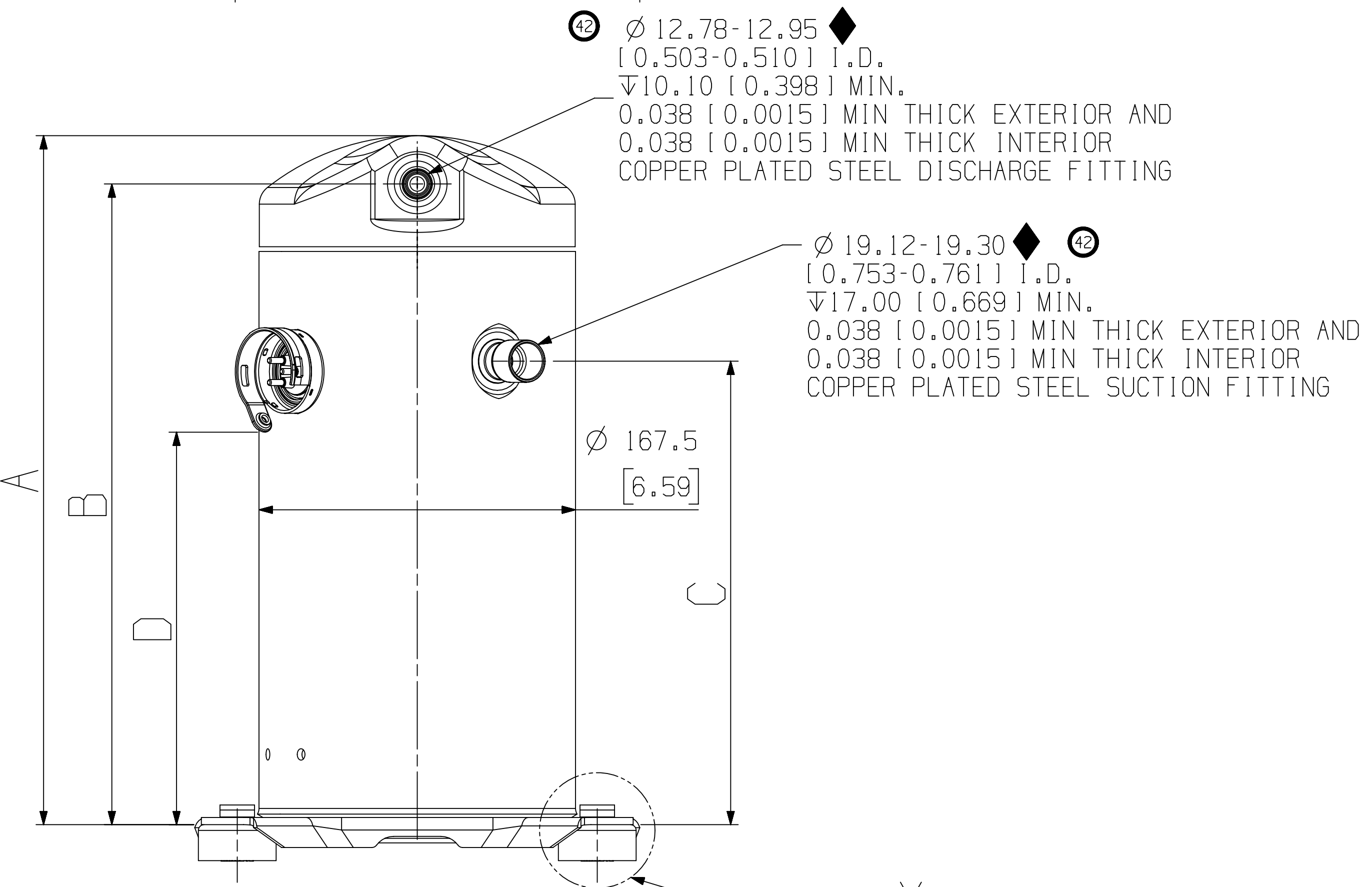
GROMMET DUROMETER	4 FOOT KIT
35-45	527-0116-00



USE COPPER CONDUCTORS ONLY. USE MINIMUM 75° C WIRE FOR AMPACITY DETERMINATION. INTERNAL MOTOR PROTECTION - ALLOW TIME FOR RESET. OVERCURRENT PROTECTION DEVICE RATING AND TYPE MUST BE IN ACCORDANCE WITH REGULATORY AGENCY END PRODUCT APPROVALS - SEE SYSTEM NAMEPLATE. CRANKCASE HEATER, WHEN APPLIED, MUST BE CONNECTED ONLY TO ITS RATED VOLTAGE. TO CORRECT IMPROPER ROTATION OF THREE PHASE MODELS, SWITCH ANY TWO SUPPLY LINES. REFER TO THE APPLICABLE SYSTEM WIRING DIAGRAM.



OBSOLETE



DETAIL Y
SCALE 3:2

ECN	REV.	DESCRIPTION	DATE	BY	CHKD	APPR
ECN307677	44	OBSOLETE	05-28-18	AZ	ZH	AW
ECN302840	43	OBSOLETE -00	09-21-17	KVM	PBM	JAS
ECN302384	42	REDRAWN WITH CHANGES & RELEASED -01	07-05-17	NST	PBM	JAS
32-0998-056	0	RELEASED	09-23-98	NST		

ENG NOTICE NO.	REV.NO.	REVISIONS	DATE	BY	CHKD	APPR
10		CONFIDENTIALITY NOTICE				
THIS DRAWING AND INFORMATION CONTAINED HEREIN ARE THE EXCLUSIVE PROPERTY OF EMERSON CLIMATE TECHNOLOGIES, INC. AND SHALL BE RETURNED UPON DEMAND AND SHALL NOT BE REPRODUCED IN WHOLE OR IN PART DISCLOSED TO ANYONE ELSE OR USED, WITHOUT THE WRITTEN CONSENT OF EMERSON CLIMATE TECHNOLOGIES, INC.						
MATERIAL SPECIFICATION		DRAWN BY	SUPERSEDES DWG. NO. / REV. NO.			
N/A		NST	497-2699-00/041			
		DATE	SCALE	DATE FORMAT:		
		07-05-17	1:1	MM-DD-YY		
TITLE			DRAWING NUMBER	SHEET 1 OF 1		
REF DWG-WELD COMP ASSM			497-2699-00	4		
			SIZE			

EMERSON Climate Technologies

Copeland brand products

INTERPRET PER ASME Y14.5M-1994 AND EMERSON CLIMATE TECHNOLOGIES, INC. DESIGN STANDARDS DS2002

DO NOT SCALE DRAWING

THIRD ANGLE PROJECTION

CRITICAL PRODUCT CHARACTERISTICS

UNLESS OTHERWISE SPECIFIED DIMENSIONS ARE MILLIMETER OR (1 INCH)

TOLERANCES:

1-PLACE ±

2-PLACE ±

ANGULAR ±

© COPYRIGHT EMERSON CLIMATE TECHNOLOGIES, INC. - CONFIDENTIAL