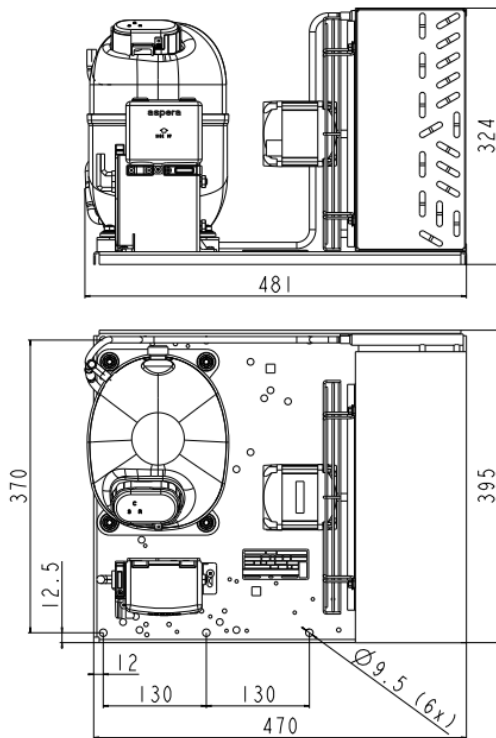


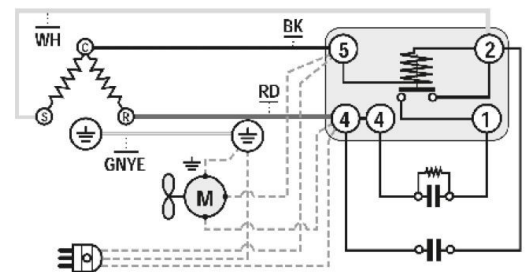
GENERAL DATA

Application:	LBP
Refrigerant:	R404A
Expansion Device:	C-V
Weight:	36.2 kg
Receiver:	0 liter
Voltage/Frequency:	220 - 240 V 50 ~
Height:	36.2 mm
Length:	481 mm
Width:	395 mm
Institute Approvals:	CE

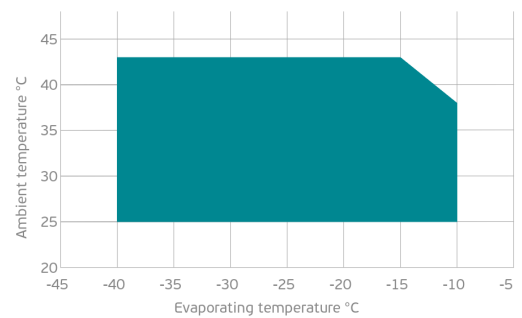
EXTERNAL DIMENSIONS



WIRING DIAGRAM



OPERATING ENVELOPE



COMPONENTS (SPARE PARTS)

fankit:	34W 275/31/5B	1996583
elkit:	ELKOM NJ2192GK	944AA1904A

condenser:	3R12T	2451218
compressor:	NJ2192GK	944AA11..AC

For additional accessories please contact our technical support

ELECTRICAL DATA

Motor Type: CSR -
Locked Rotor Amperage (LRA): 26 A
Max.Current: 4.75 A

At maximum evaporating temperature and maximum ambient temperature.

FAN MOTOR

Number: 1 -
Shaft Power: 34 W
Air Flow: 800 m³/h
Blade Diameter: 275 mm

PERFORMANCE CURVE DATA

Standard: EN13215-RG20 / return gas 20°C, subcooling 3K

50 Hz

	Evaporating Temperature (°C)	Cooling Capacity (W)	Power Consumption (W)	Current Consumption (A)	Efficiency (W/W)
25 °C Ambient Temperature	-10°C	2 023	1 326	6.27	1.53
	-15°C	1 768	1 172	5.51	1.51
	-20°C	1 512	1 039	4.86	1.46
	-25°C	1 261	922	4.29	1.37
	-30°C	1 023	819	3.79	1.25
	Rated point -35°C	806	727	3.36	1.11
	-40°C	615	643	2.98	0.96
32 °C Ambient Temperature	-10°C	1 923	1 359	6.32	1.41
	-15°C	1 665	1 204	5.58	1.38
	-20°C	1 406	1 067	4.93	1.32
	-25°C	1 155	944	4.36	1.22
	-30°C	917	833	3.85	1.10
	Rated point -35°C	701	731	3.39	0.96
	-40°C	513	635	2.98	0.81
43 °C Ambient Temperature	-15°C	1 362	1 239	5.81	1.10
	-20°C	1 129	1 097	5.12	1.03
	-25°C	904	966	4.50	0.94
	-30°C	696	843	3.92	0.83
	Rated point -35°C	511	726	3.38	0.70
	-40°C	356	612	2.86	0.58