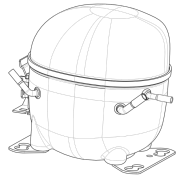


200-230V 50 / 208-230V 60Hz 1~



### GENERAL DATA

**Application:** HBP  
**Refrigerant:** R134a  
**Evaporating Temperature Range:** -15°C to 10°C  
**Compressor Cooling:** Fan  
**Fan air flow:** 520 m<sup>3</sup>/h  
**Type:** Hermetic reciprocating  
**Technology Type:** On-Off  
**Expansion Device:** Capillary Tube or Expansion Valve  
**Packing Quantity:** Single - 1 pc  
**Displacement:** 14.28 cm<sup>3</sup>  
**Horse power:** 1.2 hp



### MECHANICAL DATA

**Bore:** 30.16 mm  
**Stroke:** 20 mm  
**Oil Charge:** 350ml +/-15ml  
**Free Internal Volume:** 2.1 cm<sup>3</sup>  
**Maximum Recommended Refrigerant Charge:** 350 g  
**Oil Type Configuration:** Polyolester  
**Oil Type Viscosity:** ISO22  
**Compressor pressurization:** Dry air charge  
**Weight:** 11.9 kg

### ELECTRICAL DATA

**Motor Type:** CSR  
**Starting Torque:** HST  
**Voltage working range at 50 Hz:** 180-244 V  
**Voltage working range at 60 Hz:** 187-244 V  
**Maximum Motor Temperature:** 130 °C  
**Start Winding Resistance:** 12.8 Ω (± 10%) at 25°C  
**Run Winding Resistance:** 3.58 Ω (± 10%) at 25°C  
**Locked Rotor Amperage (LRA):** 21 A

### MOUNTING ACCESSORIES

	Description	Code
<b>Terminal Board:</b>	no	-
<b>Anchorage:</b>	no	-
<b>Capacitor Bracket:</b>	no	-
<b>Washer:</b>	no	-
<b>Pin:</b>	no	-
<b>Clip:</b>	no	-
<b>Rotolock valve:</b>	no	-
<b>Grommets:</b>	yes	2221011
<b>Sleeves:</b>	yes	2222018
<b>Overload Protector Bracket:</b>	yes	2075299
<b>Cover:</b>	yes	2075278

### ELECTRICAL COMPONENTS

	Component type	Description	Code
<b>Starting Device:</b>	Potential relay	RVA4M3C-109	1253012
<b>Motor Protection:</b>	External 3/4"	T0883/G9	2321105
<b>Start Capacitor:</b>		64-77 MFD 330V	2252291
<b>Run Capacitor:</b>		10 MFD	2253316
<b>CSR / CSIR Box:</b>	yes		1262274

### EXTERNAL CHARACTERISTICS

**Base Plate:** European  
**Tray Holder:** No  
**Height:** 206 mm

	Internal Diameter (mm)	Material	Shape
<b>Suction Connector</b>	8.1	Copper	Slanted 42°
<b>Discharge Connector</b>	6.1	Copper	Straight

**RATED POINT DATA**

Cooling Capacity (W)	Power Consumption (W)	Current Consumption (A)	Gas Flow Rate (kg/h)	Efficiency (W/W)
±5%	±5%	±5%	±5%	±7%
1 493	744	4.28	32.91	2.01

Test condition: ASHRAE, Fan, Return Gas 35°C, Subcooling 8.3K, Evaporating: 7.2°C, Condensing: 54°C, Ambient: 35°C

**PERFORMANCE CURVE DATA**

**200V 50Hz**

Condensing Temperature (°C)	Evaporating Temperature (°C)	Cooling Capacity (W)	Power Consumption (W)	Current Consumption (A)	Gas Flow Rate (kg/h)	Efficiency (W/W)
		±5%	±5%	±5%	±5%	±7%
<b>35°C</b>	10	2 108	688	4.02	39.84	3.07
	5	1 777	609	3.67	33.35	2.92
	0	1 478	538	3.36	27.58	2.75
	-5	1 211	474	3.09	22.51	2.55
	-10	977	418	2.87	18.09	2.34
	-15	775	370	2.69	14.31	2.10

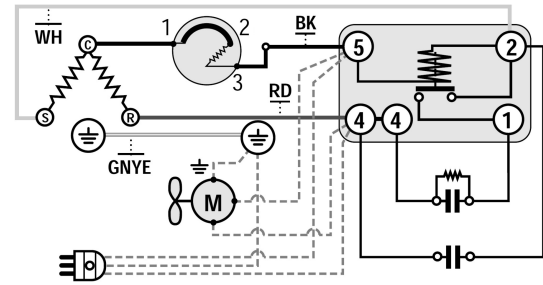
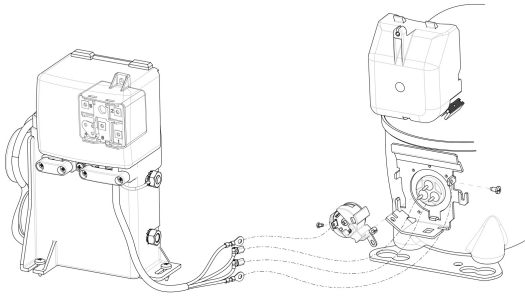
Condensing Temperature (°C)	Evaporating Temperature (°C)	Cooling Capacity (W)	Power Consumption (W)	Current Consumption (A)	Gas Flow Rate (kg/h)	Efficiency (W/W)
		±5%	±5%	±5%	±5%	±7%
<b>45°C</b>	10	1 869	740	4.27	38.22	2.53
	5	1 570	657	3.89	31.87	2.39
	0	1 299	581	3.55	26.23	2.24
	-5	1 059	512	3.25	21.27	2.07
	-10	847	450	2.99	16.95	1.88
	-15	665	395	2.78	13.25	1.68

Condensing Temperature (°C)	Evaporating Temperature (°C)	Cooling Capacity (W)	Power Consumption (W)	Current Consumption (A)	Gas Flow Rate (kg/h)	Efficiency (W/W)
		±5%	±5%	±5%	±5%	±7%
<b>55°C</b>	10	1 620	802	4.54	36.20	2.02
	5	1 358	711	4.12	30.12	1.91
	0	1 122	627	3.74	24.73	1.79
	-5	912	549	3.40	20.00	1.66
	-10	729	478	3.10	15.90	1.52

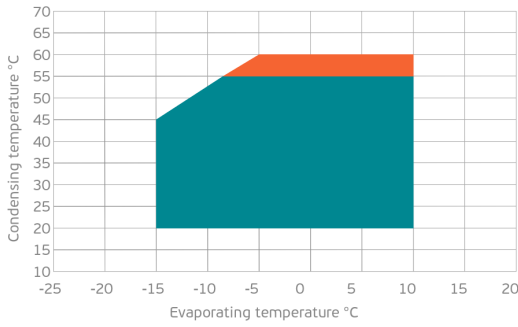
Test condition: ASHRAE, Fan, Return Gas 35°C, Subcooling 8.3K, Ambient: 35°C

**ASSEMBLY INSTRUCTION**

**WIRING DIAGRAM**

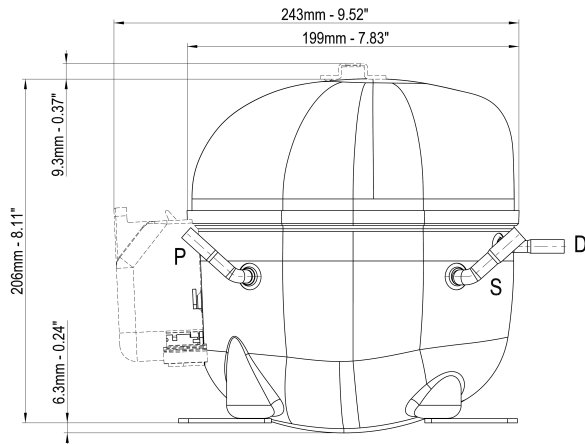


**OPERATING ENVELOPE**

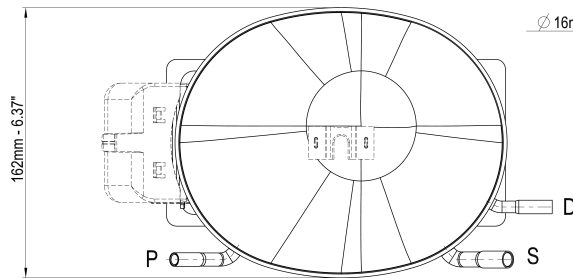


- Operating Condition
- Transient Condition
- Superheating

**NOTE:** usage of compressors outside of intended working range cannot make use of the warranty, or should be consulted with Technical support.



	∅ mm	∅ in	Material
<b>S - Suction</b>	8.10 - 8.20	0.32	Cu
<b>P - Process</b>	6.10 - 6.20	0.24	Cu
<b>D - Discharge</b>	6.10 - 6.20	0.24	Cu



∅ 16mm - 0.63" (x6)

