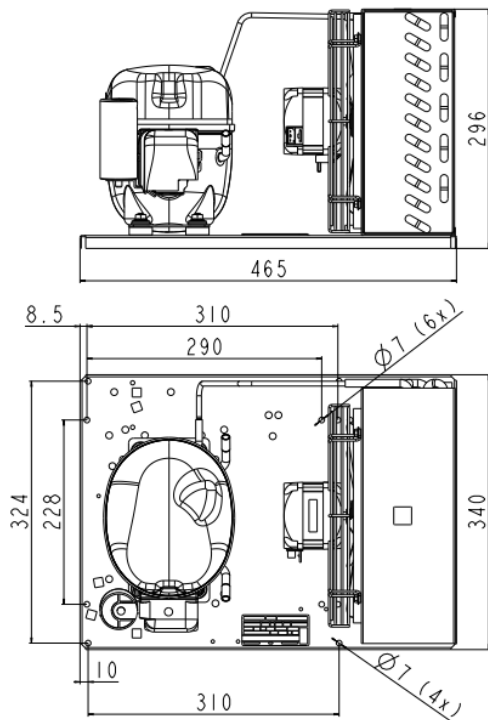


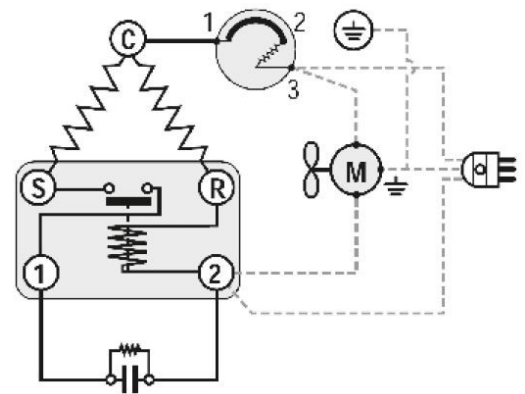
GENERAL DATA

Application:	LBP
Refrigerant:	R404A
Expansion Device:	C-V
Weight:	16.8 kg
Receiver:	0 liter
Voltage/Frequency:	115 V 60 ~
Height:	16.8 mm
Length:	465 mm
Width:	340 mm
Institute Approvals:	CE c RA us

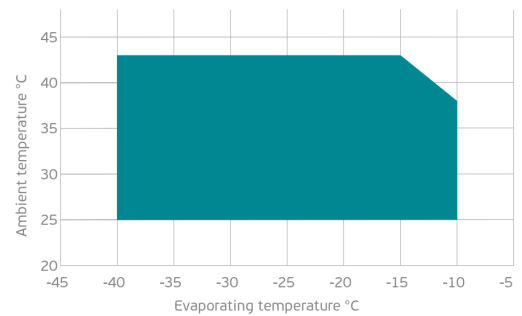
EXTERNAL DIMENSIONS



WIRING DIAGRAM



OPERATING ENVELOPE



COMPONENTS (SPARE PARTS)

condenser:	3R11T	2451206
compressor:	NEK2134GK	958AG71..AM

For additional accessories please contact our technical support

fankit:	16W 254/28/5B	1996688
elkit:	RELAY/PROTECTOR/CONDENSER	2283073/2321086/2252335

ELECTRICAL DATA

Motor Type: CSIR -
Locked Rotor Amperage (LRA): 37.5 A
Max.Current: 6.34 A

At maximum evaporating temperature and maximum ambient temperature.

FAN MOTOR

Number: 1 -
Shaft Power: 16 W
Air Flow: 595 m³/h
Blade Diameter: 254 mm

PERFORMANCE CURVE DATA

Standard: EN13215-RG20 / return gas 20°C, subcooling 3K

60 Hz

	Evaporating Temperature (°C)	Cooling Capacity (W)	Power Consumption (W)	Current Consumption (A)	Efficiency (W/W)
25 °C Ambient Temperature	-10°C	1 038	571	6.95	1.82
	-15°C	859	522	6.62	1.64
	-20°C	699	476	6.32	1.47
	-25°C	559	433	6.06	1.29
	-30°C	439	392	5.83	1.12
	Rated point -35°C	340	355	5.65	0.96
	-40°C	263	321	5.52	0.82
32 °C Ambient Temperature	-10°C	945	589	7.17	1.60
	-15°C	779	538	6.82	1.45
	-20°C	633	490	6.51	1.29
	-25°C	505	446	6.24	1.13
	-30°C	398	404	6.01	0.98
	Rated point -35°C	311	366	5.83	0.85
	-40°C	246	332	5.70	0.74
43 °C Ambient Temperature	-15°C	765	568	6.98	1.35
	-20°C	617	511	6.59	1.21
	-25°C	487	458	6.24	1.06
	-30°C	377	409	5.95	0.92
	Rated point -35°C	286	364	5.72	0.79
	-40°C	217	324	5.54	0.67