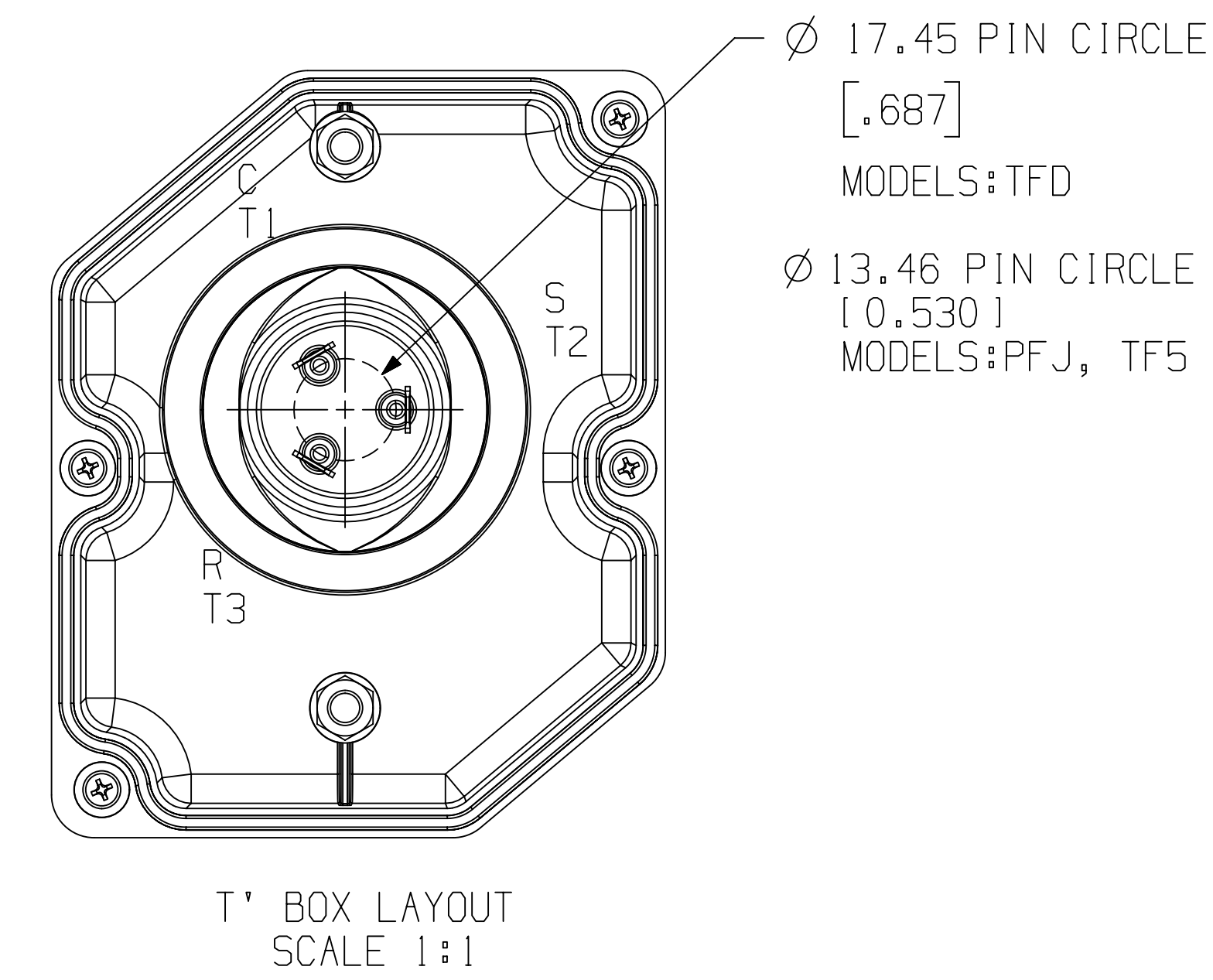
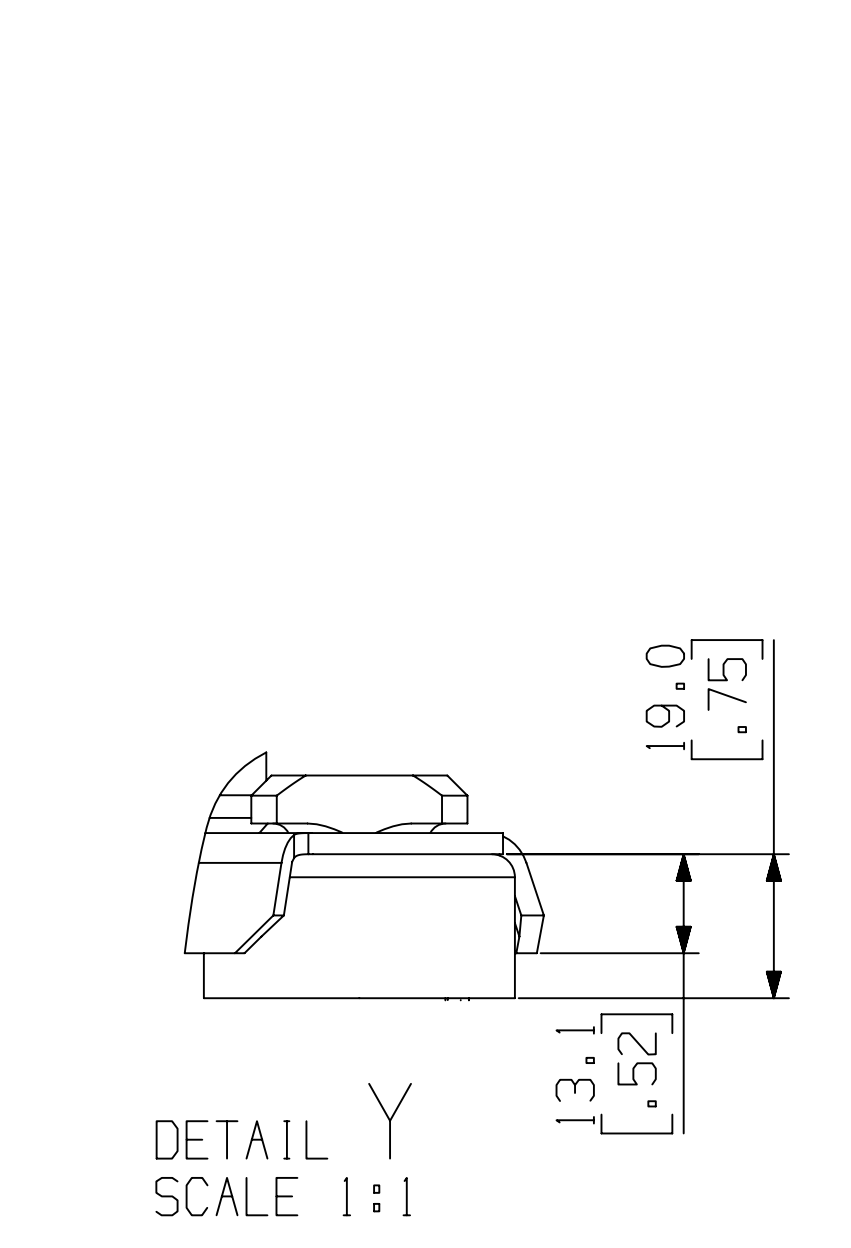


PART NO	MODEL NUMBER	A ±3.0	B	C	D	DETAIL W
497-3043-00	ZR40K3E-TFD,PFJ,TF5	400.8 [15.78]	374.6 [14.75]	277.1 [10.91]	198.4 [7.81]	OPTION 1
497-3043-01	ZR34K3E-TFD,PFJ,TF5	387.0 [15.24]	360.9 [14.21]	264.4 [10.41]	185.7 [7.31]	OPTION 1
497-3043-02	ZR22K3E-TFD,PFJ,TF5 ZR28K3E-TFD,PFJ,TF5	364.4 [14.35]	338.3 [13.32]	244.5 [9.62]	165.8 [6.53]	OPTION 1
497-3043-03	ZR48K3E-TFD,PFJ,TF5	417.8 [16.45]	391.6 [15.42]	294.1 [11.58]	215.4 [8.48]	OPTION 2

SPECIFICATIONS	
ES NO.	DESCRIPTION
ES92-155	CONVERSION-METRIC



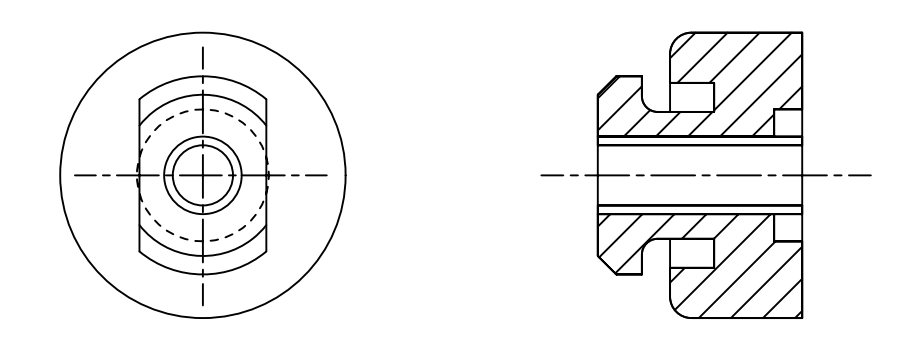
NOTES:

- ALL TOLERANCES ±1.5 [0.06] UNLESS OTHERWISE SPECIFIED.
- MOUNTING KIT.
- TUBE ENDS MUST BE PLUGGED.

DUE TO ACCUMULATED ASSEMBLY TOLERANCES THE LISTED COMPONENTS MAY VARY FROM THE MOUNTING HOLES AS SHOWN BELOW:

◆ ALL FITTINGS : ±3.0 [0.12]

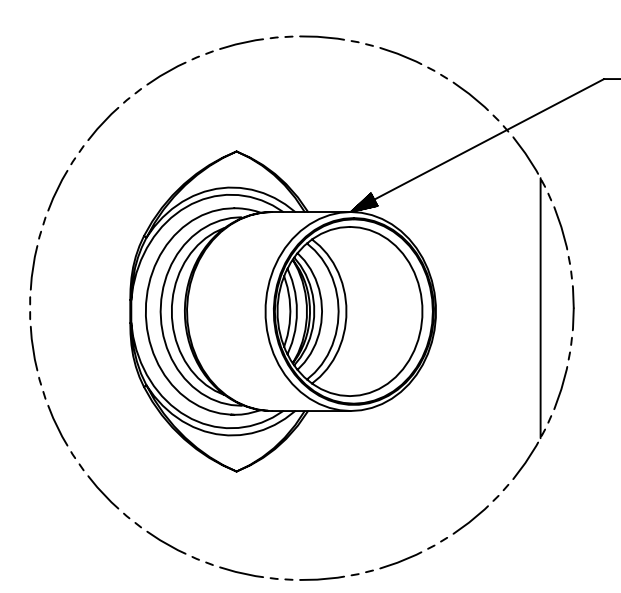
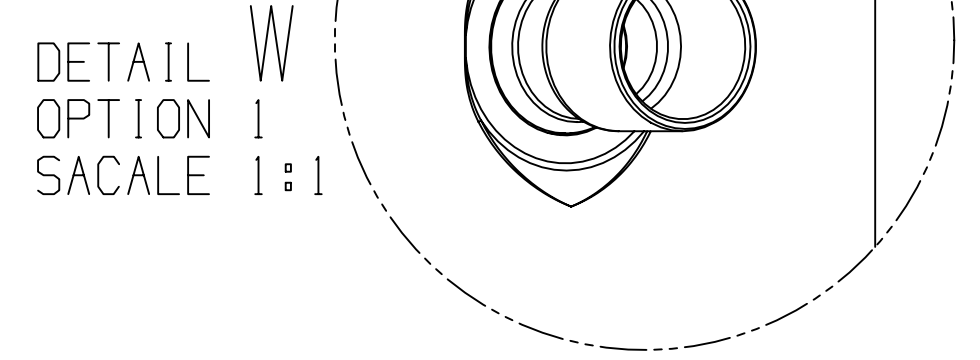
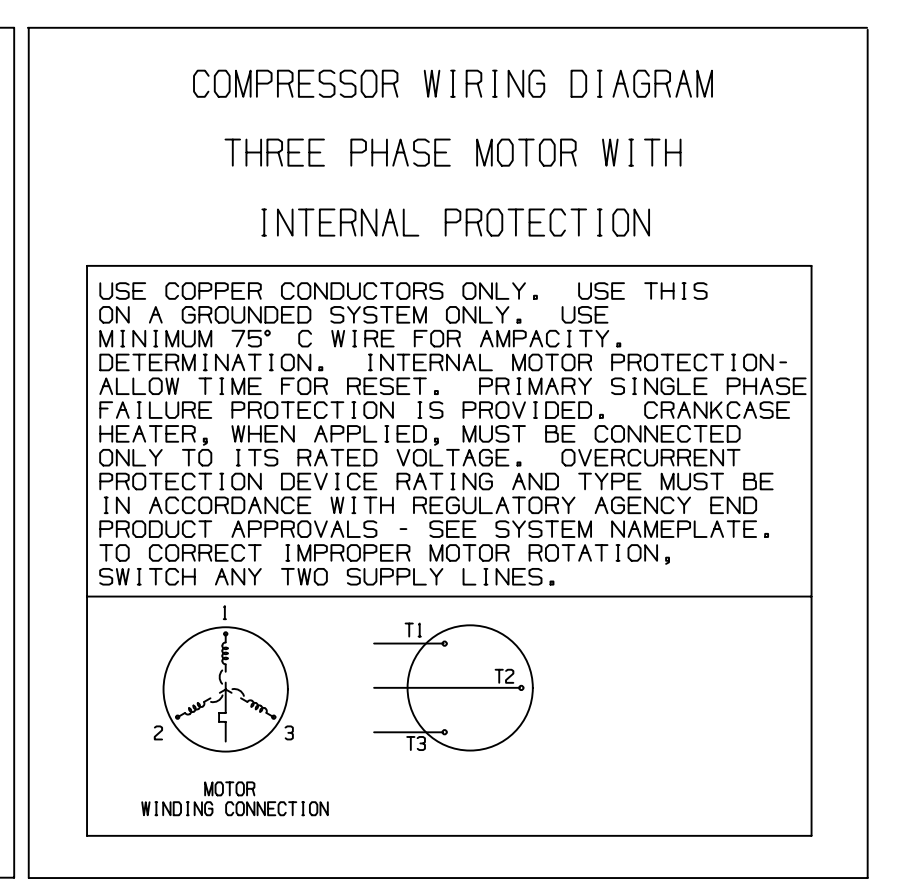
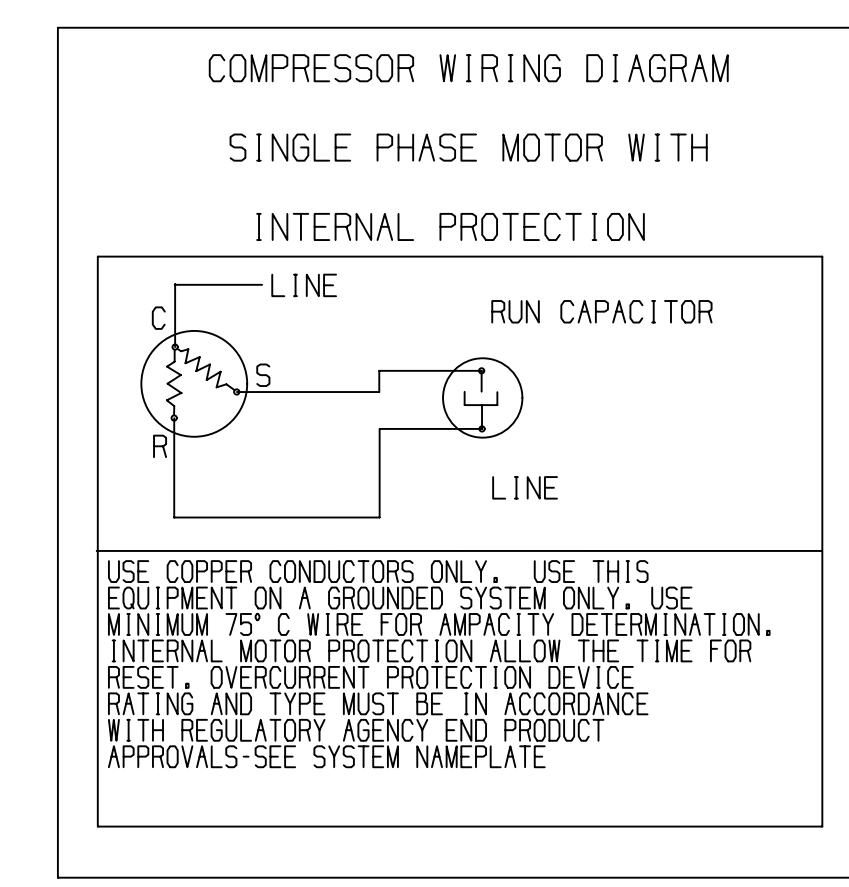
GROMMET DUROMETER	4 FOOT KIT
35-45	527-0116-00



Ø 12.78-12.95 [0.503-0.510] I.D.  
▽ 10.10 [0.398] MIN.  
0.038 [0.0015] MIN THICK EXTERIOR AND  
0.038 [0.0015] MIN THICK INTERIOR  
COPPER PLATED STEEL DISCHARGE FITTING.

Ø 19.12-19.30 [0.753-0.761] I.D.  
▽ 17.00 [0.669] MIN.  
0.038 [0.0015] MIN THICK EXTERIOR AND  
0.038 [0.0015] MIN THICK INTERIOR  
COPPER PLATED STEEL SUCTION FITTING.

Ø 22.30-22.48 [0.878-0.885] I.D.  
▽ 20.40 [0.803] MIN.  
0.038 [0.0015] MIN THICK EXTERIOR AND  
0.038 [0.0015] MIN THICK INTERIOR  
COPPER PLATED STEEL SUCTION FITTING.



ECN302551	0	RELEASED	07-17-17	KVB	MD	VC
ENG NOTICE NO.	REV.NO.	REVISIONS	DATE	BY	CHKD	APPR
CONFIDENTIALITY NOTICE						
THIS DRAWING AND INFORMATION CONTAINED HEREIN ARE THE EXCLUSIVE PROPERTY OF EMERSON CLIMATE TECHNOLOGIES, INC. AND SHALL BE RETURNED UPON DEMAND AND SHALL NOT BE REPRODUCED, IN WHOLE OR IN PART, DISCLOSED TO ANYONE ELSE OR USED, WITHOUT THE WRITTEN CONSENT OF EMERSON CLIMATE TECHNOLOGIES, INC.						
MATERIAL SPECIFICATION		DRAWN BY	SUPERSEDES DWG. NO. / REV. NO.			
N/A		KVB	497-2546-00/056			
		DATE	SCALE	DATE FORMAT:		
		07-17-17	1:2	MM-DD-YY		
TITLE			DRAWING NUMBER	SHEET 1 OF 1		
REF DWG-WELD COMP ASSM			497-3043-00	4		
			SIZE			

EMERSON Climate Technologies

Copeland brand products

INTERPRET PER ASME Y14.5M-1994 AND EMERSON CLIMATE TECHNOLOGIES, INC. DESIGN STANDARDS DS2002

DO NOT SCALE DRAWING

THIRD ANGLE PROJECTION

CRITICAL PRODUCT CHARACTERISTICS

UNLESS OTHERWISE SPECIFIED DIMENSIONS ARE MILLIMETER OR (INCH)

TOLERANCES:

1-PLACE ±

2-PLACE ±

ANGULAR ±

© COPYRIGHT EMERSON CLIMATE TECHNOLOGIES, INC. - CONFIDENTIAL