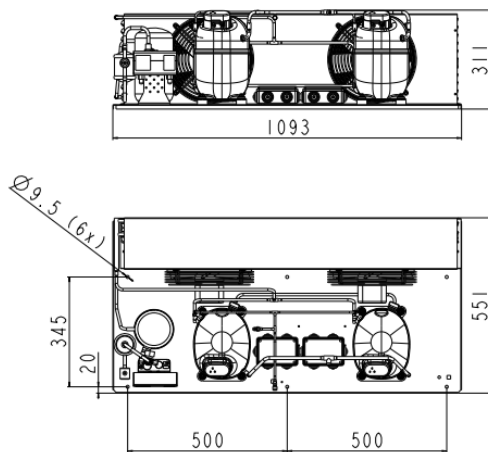


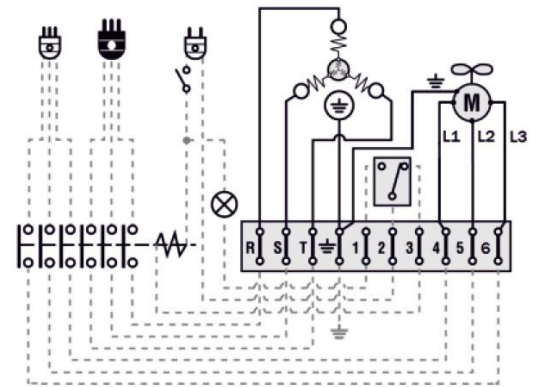
GENERAL DATA

Application:	M/HBP
Refrigerant:	R134a
Expansion Device:	C-V
Weight:	84 kg
Receiver:	2.3 liter
Voltage/Frequency:	380 - 420 V 50 ~
Height:	84 mm
Length:	551 mm
Width:	1093 mm
Institute Approvals:	CE

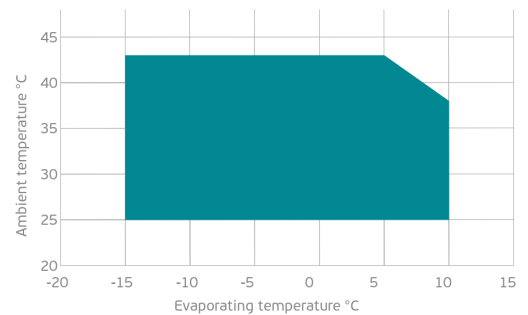
EXTERNAL DIMENSIONS



WIRING DIAGRAM



OPERATING ENVELOPE



COMPONENTS (SPARE PARTS)

valve_disch:	SOLDER 3/8"	2110049
sightglass:	SIGHT GLASS 10MM ODF	2464040
dualpressostat:	PS2 - A7K	2466035
compressor:	NJ6220ZX	148HM95..AC

valve_disch:	SOLDER 3/8"	2110049
sightglass:	SIGHT GLASS 10MM ODF	2464040
dualpressostat:	PS2 - A7K	2466035
compressor:	NJ6220ZX	148HM95..AC

For additional accessories please contact our technical support

ELECTRICAL DATA

Motor Type: 3PH -
Locked Rotor Amperage (LRA): 20 A
Max.Current: 5.44 A

At maximum evaporating temperature and maximum ambient temperature.

FAN MOTOR

Number: 2 -
Shaft Power: 2 W
Air Flow: 3020 m³/h
Blade Diameter: - mm

PERFORMANCE CURVE DATA

Standard: EN13215-RG20 / return gas 20°C, subcooling 3K

50 Hz

	Evaporating Temperature (°C)	Cooling Capacity (W)	Power Consumption (W)	Current Consumption (A)	Efficiency (W/W)
25 °C Ambient Temperature	10°C	5 497	1 943	3.59	2.83
	5°C	4 713	1 738	3.32	2.71
	0°C	3 916	1 557	3.09	2.52
	-5°C	3 165	1 396	2.88	2.27
	Rated point -10°C	2 518	1 252	2.68	2.01
	-15°C	2 032	1 122	2.48	1.81
32 °C Ambient Temperature	10°C	4 994	2 005	3.70	2.49
	5°C	4 291	1 791	3.42	2.40
	0°C	3 567	1 602	3.18	2.23
	-5°C	2 879	1 436	2.96	2.00
	Rated point -10°C	2 287	1 290	2.76	1.77
	-15°C	1 846	1 159	2.56	1.59
43 °C Ambient Temperature	5°C	3 638	1 910	3.64	1.90
	0°C	3 030	1 704	3.38	1.78
	-5°C	2 445	1 523	3.14	1.60
	Rated point -10°C	1 940	1 366	2.92	1.42
	-15°C	1 573	1 228	2.71	1.28