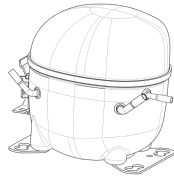


220-240V 50 1~**GENERAL DATA****Application:** LBP**Refrigerant:** R290**Evaporating Temperature Range:** -40°C to -10°C**Compressor Cooling:** Fan**Fan air flow:** 520 m³/h**Type:** Hermetic reciprocating**Technology Type:** On-Off**Expansion Device:** Capillary Tube or Expansion Valve**Packing Quantity:** Multi - 80 pcs**Displacement:** 9.99 cm³**Horse power:** 1.2 hp
Approvals:




MECHANICAL DATA**Bore:** 26.5 mm**Stroke:** 18.12 mm**Oil Charge:** 350ml +/-15ml**Free Internal Volume:** 2.1 cm³**Maximum Recommended Refrigerant Charge:** 150 g**Oil Type Configuration:** Polyolester**Oil Type Viscosity:** ISO22**Compressor pressurization:** Without dry air charge**Weight:** 10.6 kg**ELECTRICAL DATA****Motor Type:** CSIR**Starting Torque:** HST**Voltage working range at 50 Hz:** 198-254 V**Maximum Motor Temperature:** 130 °C**Start Winding Resistance:** 24.26 Ω (± 10%) at 25°C**Run Winding Resistance:** 7.79 Ω (± 10%) at 25°C**Locked Rotor Amperage (LRA):** 14 A**MOUNTING ACCESSORIES**

	Description	Code
Terminal Board:	no	-
Anchorage:	no	-
Overload Protector Bracket:	no	-
Capacitor Bracket:	no	-
Washer:	no	-
Pin:	no	-
Clip:	no	-
Rotolock valve:	no	-
Cover:	no	-
Grommets:	no	-
Sleeves:	no	-

ELECTRICAL COMPONENTS

Component type	Description	Code

EXTERNAL CHARACTERISTICS**Base Plate:** European**Tray Holder:** Yes**Height:** 200 mm

	Internal Diameter (mm)	Material	Shape
Suction Connector	6.1	Copper	Slanted 42°
Discharge Connector	4.86	Copper	Straight
Process Connector	6.1	Copper	Slanted 42°



RATED POINT DATA

Cooling Capacity (W)	Power Consumption (W)	Current Consumption (A)	Gas Flow Rate (kg/h)	Efficiency (W/W)
±5%	±5%	±5%	±5%	±7%
453	329	2.03	4.60	1.38

Test condition: ASHRAE, Fan, Return Gas 32.2°C, Evaporating: -23.3°C, Condensing: 54°C, Ambient: 32.2°C, Liquid: 32.2°C

PERFORMANCE CURVE DATA

220V 50Hz

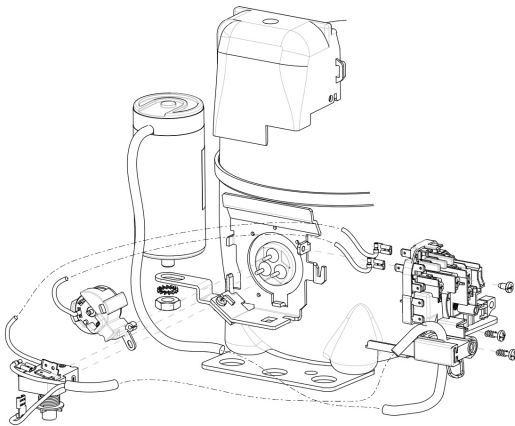
Condensing Temperature (°C)	Evaporating Temperature (°C)	Cooling Capacity (W)	Power Consumption (W)	Current Consumption (A)	Gas Flow Rate (kg/h)	Efficiency (W/W)
		±5%	±5%	±5%	±5%	±7%
35°C	-10	876	358	2.19	9.00	2.45
	-15	719	338	2.05	7.35	2.13
	-20	582	313	1.92	5.92	1.86
	-25	466	285	1.77	4.73	1.64
	-30	371	253	1.62	3.75	1.47
	-35	297	216	1.45	3.00	1.37
	-40	245	176	1.28	2.47	1.39

Condensing Temperature (°C)	Evaporating Temperature (°C)	Cooling Capacity (W)	Power Consumption (W)	Current Consumption (A)	Gas Flow Rate (kg/h)	Efficiency (W/W)
		±5%	±5%	±5%	±5%	±7%
45°C	-10	833	394	2.31	8.55	2.11
	-15	682	365	2.17	6.97	1.87
	-20	552	334	2.03	5.62	1.65
	-25	441	301	1.88	4.48	1.46
	-30	351	267	1.72	3.55	1.32
	-35	281	231	1.56	2.84	1.22

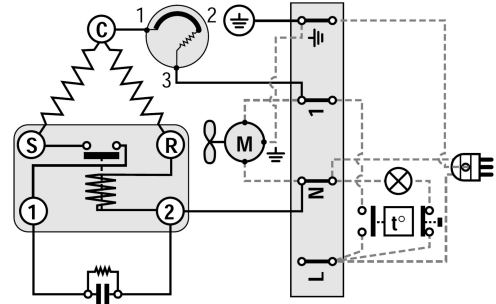
Condensing Temperature (°C)	Evaporating Temperature (°C)	Cooling Capacity (W)	Power Consumption (W)	Current Consumption (A)	Gas Flow Rate (kg/h)	Efficiency (W/W)
		±5%	±5%	±5%	±5%	±7%
55°C	-10	790	430	2.43	8.11	1.84
	-15	646	392	2.29	6.60	1.65
	-20	521	355	2.14	5.31	1.47
	-25	416	318	1.99	4.22	1.31
	-30	331	281	1.83	3.35	1.18

Test condition: ASHRAE, Fan, Return Gas 32.2°C, Ambient: 32.2°C, Liquid: 32.2°C

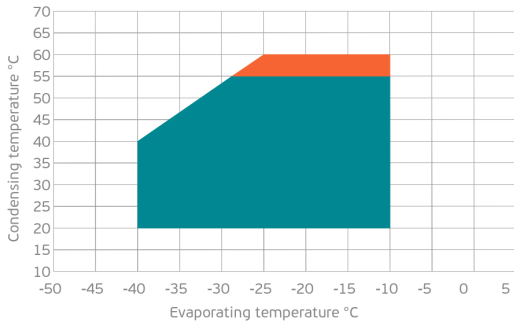
ASSEMBLY INSTRUCTION



WIRING DIAGRAM

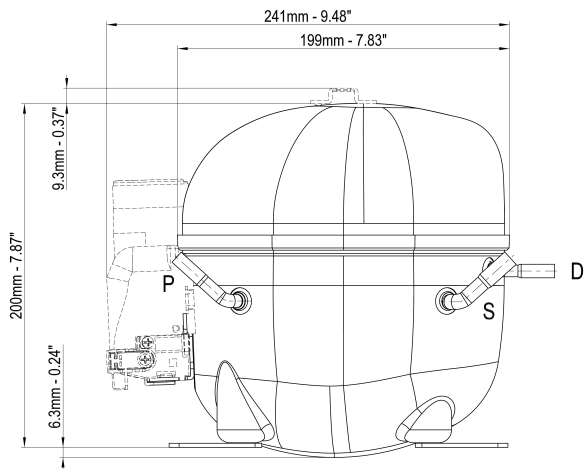


OPERATING ENVELOPE



- Operating Condition
- Transient Condition
- Superheating

NOTE: usage of compressors outside of intended working range cannot make use of the warranty, or should be consulted with Technical support.



	∅ mm	∅ in	Material
S - Suction	6.10-6.20	0.24	Cu
P - Process	6.10-6.20	0.24	Cu
D - Discharge	4.86-5.03	0.19	Cu

