

GENERAL DATA

Application	High/Mid. back pressure
Refrigerant	R134a
Evaporating °C	-25 - 10
Comp. cooling	Fan cooled
Max. ambient temp. °C	43

CONDENSER DATA

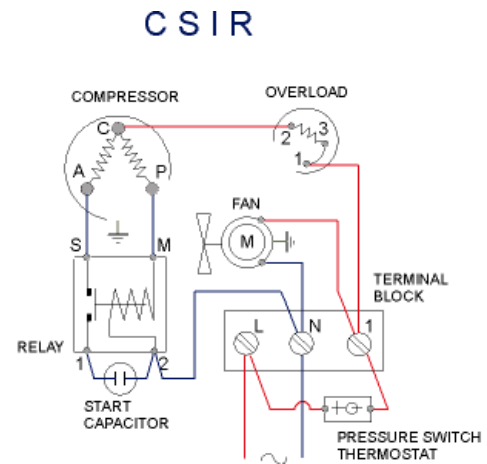
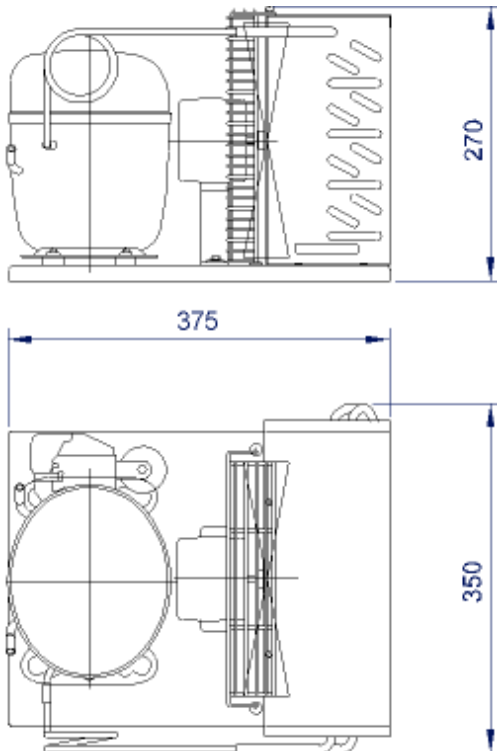
Condenser type	CU-AL
Condenser model	9T 3R
Evaporating (W)	10
Fan blade diameter (mm)	230

COMPRESSOR DATA

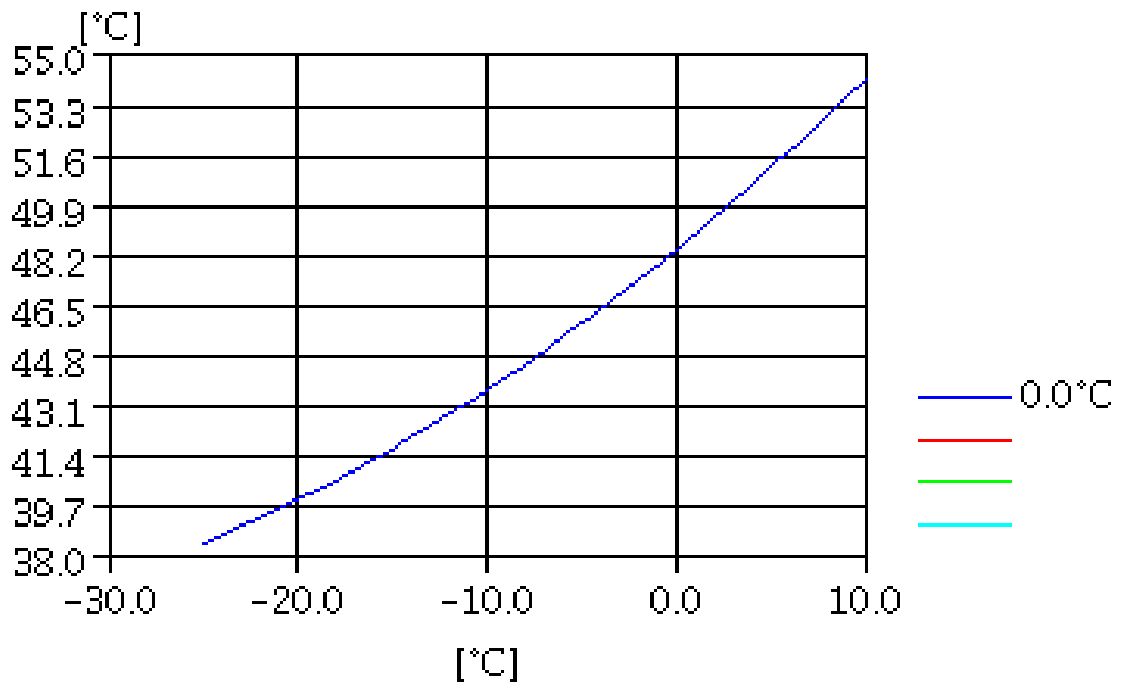
Displacement (cm ³)	14.17
Bore/Stroke (mm)	31,19/18,54
Motor type	CSIR
Voltage/Frequency	220V 50Hz
Voltage range (V)	187-264
Locked rotor current (A)	18.0
Main W. resist. at 25°C (Ω)	4.79
Start W. resist. at 25°C (Ω)	23.96

VERSIONS

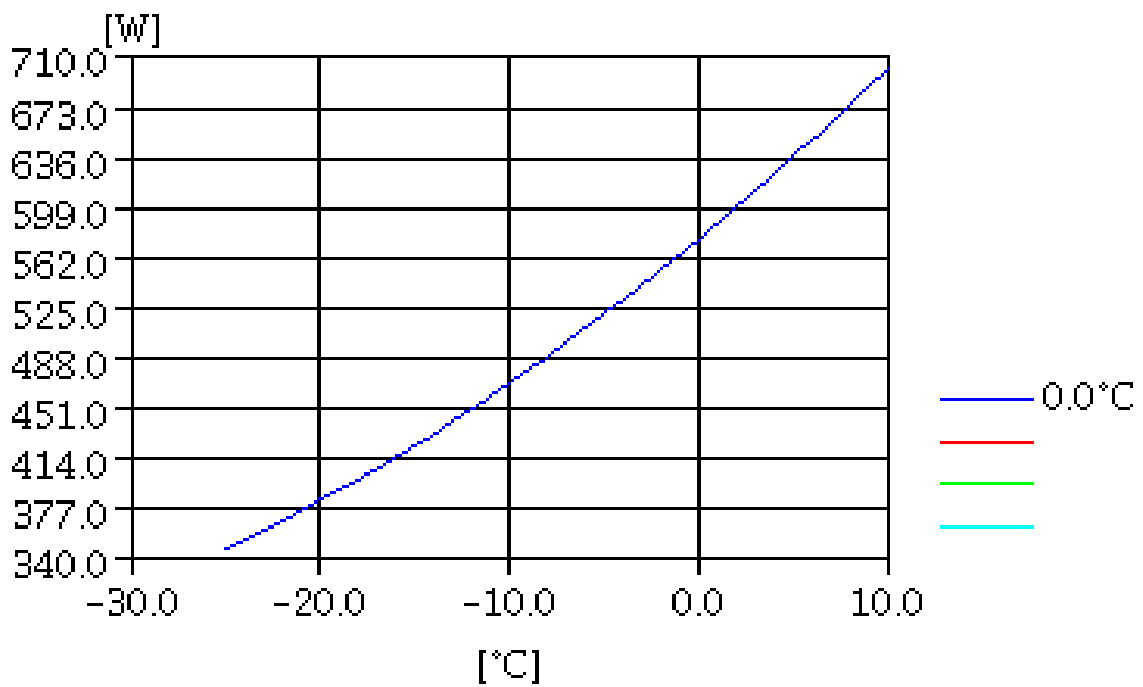
1 -Tube (CGP14TB1N)
Suction tube internal diam. 5/16 in
Discharge tube internal diam. 5/16 in

DIMENSIONS AND ELECTRICAL DIAGRAM


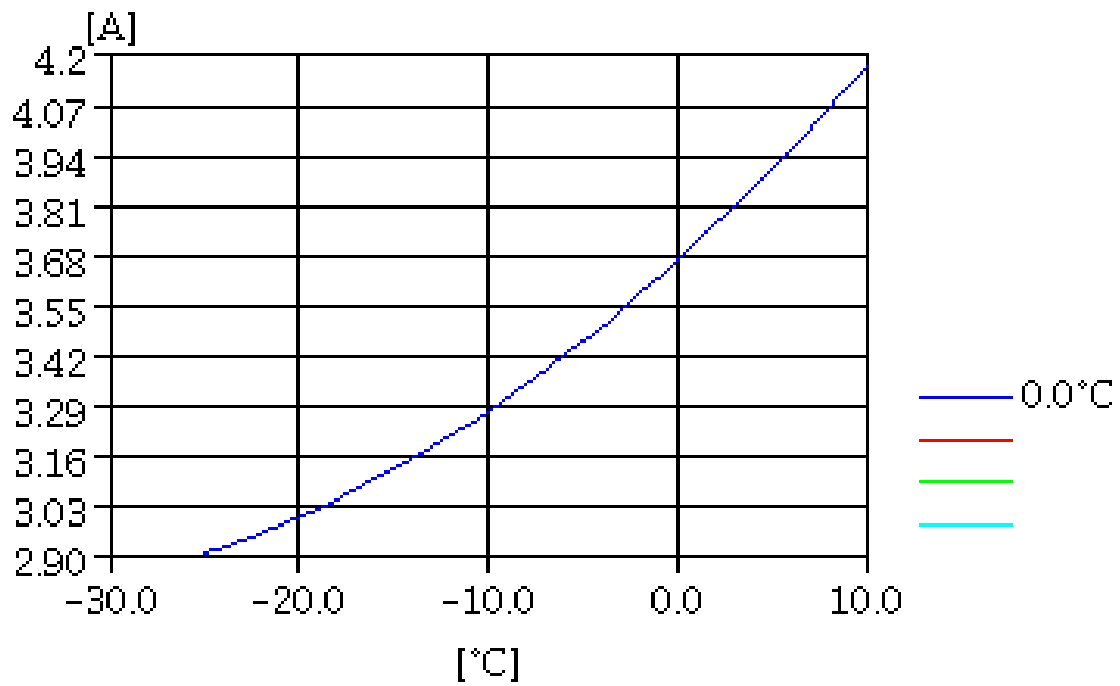
CONDENSING TEMPERATURE



INPUT W



CONSUMPTION



COOLING CAPACITY

