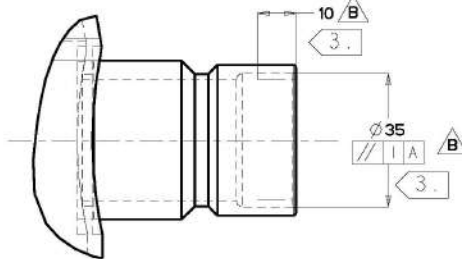
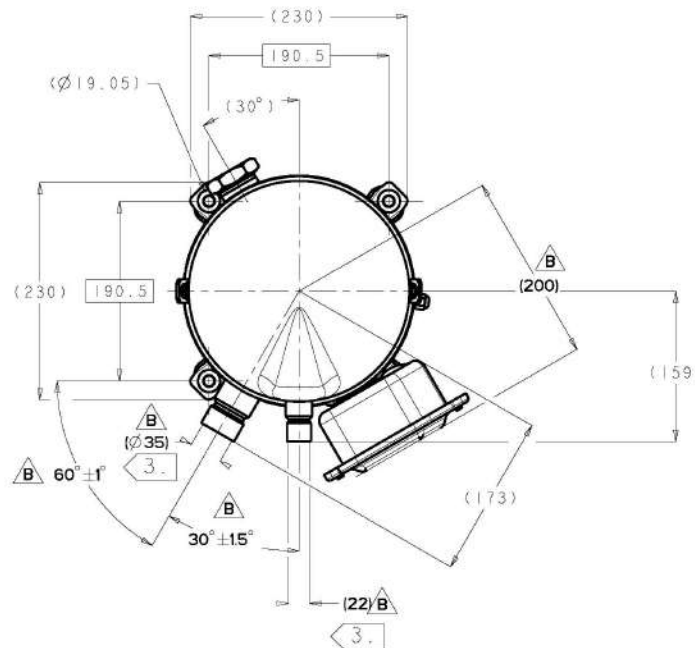


REFOULEMENT /Discharge
SCALE 1/1



ASPIRATION /Suction
SCALE 1/1



△ NOTES:

- 1 - COMPRESSION APPROXIMATIVE DES SILENT-BLOCS : 2mm.
/Estimated grommets compression
- 2 - DIMENSIONS ET TOLERANCES SANS COMPRESSION DES SILENT-BLOCS.
/Vertical dimensions and tolerances and without grommets compression.
- 3 - LE PARALLELISME S'APPLIQUE SUR 10 mm SUR LE DIAMETRE INTERIEUR
/Parallelism applied on 10 mm on inside diameter

REFERENCE PIECE / Part number	8560023	B.11
-------------------------------	---------	------

			Projection	Scale	Material	
B	DMI 080468	28/11/09		1/4	Tol Gen	A2
A	DC1010434/1080006	06/02/08			Designation	
Wrt.	Approva/Rev	Date	 Danfoss Commercial Compressors		SH184 Outline	
Replaces						
Design	ALS				No. 8560023	
Approva	GFD				Production print	
<small>Confidential: Property of Danfoss Commercial Compressors. Not to be handed over to copied or used by third party. Two or three dimensional reproduction of contents to be authorized by Danfoss CC.</small>						