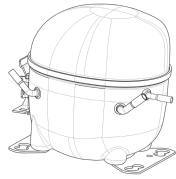


200-220V 50 / 230V 60Hz 1~



### GENERAL DATA

**Application:** LBP  
**Refrigerant:** R134a  
**Evaporating Temperature Range:** -30°C to -5°C  
**Compressor Cooling:** Fan  
**Fan air flow:** 520 m<sup>3</sup>/h  
**Type:** Hermetic reciprocating  
**Technology Type:** On-Off  
**Expansion Device:** Capillary Tube  
**Packing Quantity:** Single - 1 pc  
**Displacement:** 9.26 cm<sup>3</sup>  
**Horse power:** 1.4 hp

Approvals:    

### MECHANICAL DATA

**Bore:** 24.28 mm  
**Stroke:** 20 mm  
**Oil Charge:** 350ml +/-15ml  
**Free Internal Volume:** 2.1 cm<sup>3</sup>  
**Maximum Recommended Refrigerant Charge:** 350 g  
**Oil Type Configuration:** Polyolester  
**Oil Type Viscosity:** ISO22  
**Compressor pressurization:** Dry air charge  
**Weight:** 11.3 kg

### ELECTRICAL DATA

**Motor Type:** RSIR  
**Starting Torque:** LST  
**Voltage working range at 50 Hz:** 180-254 V  
**Voltage working range at 60 Hz:** 207-253 V  
**Maximum Motor Temperature:** 130 °C  
**Start Winding Resistance:** 29.92 Ω (± 10%) at 25°C  
**Run Winding Resistance:** 5.96 Ω (± 10%) at 25°C

### MOUNTING ACCESSORIES

	Description	Code
<b>Anchorage:</b>	no	-
<b>Capacitor Bracket:</b>	no	-
<b>Washer:</b>	no	-
<b>Pin:</b>	no	-
<b>Clip:</b>	no	-
<b>Rotolock valve:</b>	no	-
<b>Cover:</b>	yes	2075282
<b>Grommets:</b>	yes	2221011
<b>Sleeves:</b>	yes	2222018
<b>Terminal Board:</b>	yes	1027060
<b>Overload Protector Bracket:</b>	yes	2075299

### ELECTRICAL COMPONENTS

	Component type	Description	Code
<b>Starting Device:</b>	Current relay	MTRP-45-60	2339108
<b>Motor Protection:</b>	External 3/4"	T0057/G6   MRP59AMK-3259	2319022

### EXTERNAL CHARACTERISTICS

**Base Plate:** European  
**Tray Holder:** No  
**Height:** 200 mm

	Internal Diameter (mm)	Material	Shape
<b>Suction Connector</b>	8.1	Copper	Slanted 42°
<b>Discharge Connector</b>	6.1	Copper	Straight
<b>Process Connector</b>	6.1	Copper	Slanted 42°

## RATED POINT DATA

Cooling Capacity (W)	Power Consumption (W)	Current Consumption (A)	Gas Flow Rate (kg/h)	Efficiency (W/W)
±5%	±5%	±5%	±5%	±7%
298	231	1.72	5.78	1.29

Test condition: ASHRAE, Fan, Return Gas 32.2°C, Evaporating: -23.3°C, Condensing: 54°C, Ambient: 32.2°C, Liquid: 32.2°C

## PERFORMANCE CURVE DATA

200V 50Hz

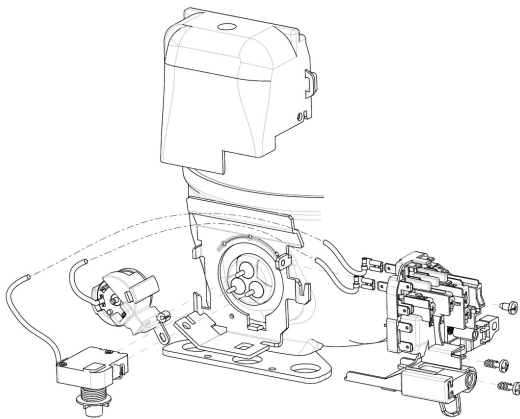
Condensing Temperature (°C)	Evaporating Temperature (°C)	Cooling Capacity (W)	Power Consumption (W)	Current Consumption (A)	Gas Flow Rate (kg/h)	Efficiency (W/W)
		±5%	±5%	±5%	±5%	±7%
<b>35°C</b>	-5	776	322	2.13	15.23	2.41
	-10	633	293	1.99	12.38	2.16
	-15	508	266	1.86	9.90	1.91
	-20	400	240	1.75	7.76	1.67
	-25	308	214	1.64	5.97	1.44
	-30	234	190	1.54	4.52	1.23

Condensing Temperature (°C)	Evaporating Temperature (°C)	Cooling Capacity (W)	Power Consumption (W)	Current Consumption (A)	Gas Flow Rate (kg/h)	Efficiency (W/W)
		±5%	±5%	±5%	±5%	±7%
<b>45°C</b>	-5	749	346	2.25	14.70	2.16
	-10	608	312	2.07	11.88	1.95
	-15	484	279	1.92	9.42	1.74
	-20	377	247	1.78	7.33	1.53
	-25	288	218	1.66	5.58	1.32
	-30	216	190	1.56	4.18	1.14

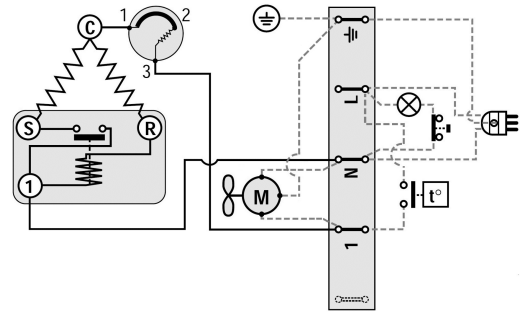
Condensing Temperature (°C)	Evaporating Temperature (°C)	Cooling Capacity (W)	Power Consumption (W)	Current Consumption (A)	Gas Flow Rate (kg/h)	Efficiency (W/W)
		±5%	±5%	±5%	±5%	±7%
<b>55°C</b>	-5	724	370	2.36	14.20	1.96
	-10	583	329	2.15	11.40	1.77
	-15	460	290	1.97	8.97	1.59
	-20	356	254	1.81	6.90	1.40
	-25	268	221	1.68	5.20	1.22

Test condition: ASHRAE, Fan, Return Gas 32.2°C, Ambient: 32.2°C, Liquid: 32.2°C

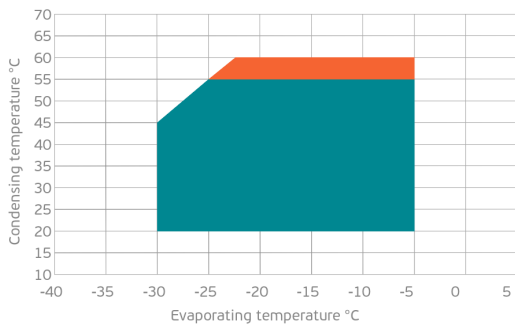
### ASSEMBLY INSTRUCTION



### WIRING DIAGRAM

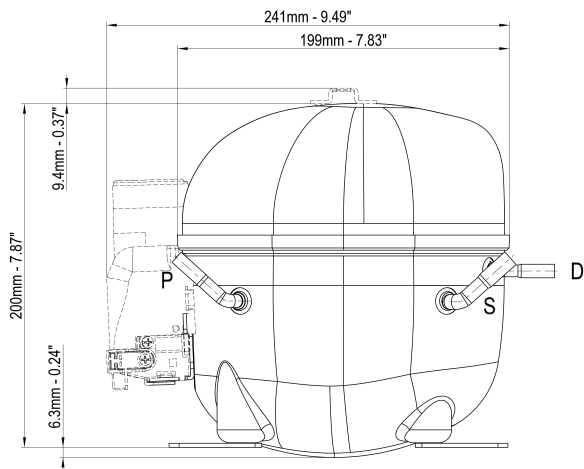


### OPERATING ENVELOPE



- Operating Condition
- Transient Condition
- Superheating

**NOTE:** usage of compressors outside of intended working range cannot make use of the warranty, or should be consulted with Technical support.



	∅ mm	∅ in	Material
<b>S - Suction</b>	8.10 - 8.20	0.32	Cu
<b>P - Process</b>	6.10 - 6.20	0.24	Cu
<b>D - Discharge</b>	6.10 - 6.20	0.24	Cu

