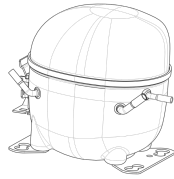


**115V 60 1~****GENERAL DATA**

**Application:** HBP  
**Refrigerant:** R134a  
**Evaporating Temperature Range:** -15°C to 10°C  
**Compressor Cooling:** Fan  
**Fan air flow:** 520 m<sup>3</sup>/h  
**Type:** Hermetic reciprocating  
**Technology Type:** On-Off  
**Expansion Device:** Capillary Tube or Expansion Valve  
**Packing Quantity:** Multi - 28 pcs  
**Displacement:** 16.8 cm<sup>3</sup>  
**Horse power:** 1.2 hp

Approvals:   

**MECHANICAL DATA**

**Bore:** 31.19 mm  
**Stroke:** 22 mm  
**Oil Charge:** 350ml +/-15ml  
**Free Internal Volume:** 2.1 cm<sup>3</sup>  
**Maximum Recommended Refrigerant Charge:** 350 g  
**Oil Type Configuration:** Polyolester  
**Oil Type Viscosity:** ISO22  
**Compressor pressurization:** Dry air charge  
**Weight:** 11.8 kg

**ELECTRICAL DATA**

**Motor Type:** CSR  
**Starting Torque:** HST  
**Voltage working range at 60 Hz:** 103-127 V  
**Maximum Motor Temperature:** 130 °C  
**Start Winding Resistance:** 2.83 Ω (± 10%) at 25°C  
**Run Winding Resistance:** 0.76 Ω (± 10%) at 25°C  
**Locked Rotor Amperage (LRA):** 48 A

**MOUNTING ACCESSORIES**

	Description	Code
<b>Terminal Board:</b>	no	-
<b>Anchorage:</b>	no	-
<b>Capacitor Bracket:</b>	no	-
<b>Washer:</b>	no	-
<b>Pin:</b>	no	-
<b>Clip:</b>	no	-
<b>Rotolock valve:</b>	no	-
<b>Overload Protector Bracket:</b>	yes	2075299
<b>Cover:</b>	yes	2075278
<b>Grommets:</b>	yes	2221003
<b>Sleeves:</b>	yes	2222015

**ELECTRICAL COMPONENTS**

	Component type	Description	Code
<b>Start Capacitor:</b>		243-292 MFD 250V	2252331
<b>Run Capacitor:</b>		35 MFD	2253315
<b>Starting Device:</b>	Potential relay	RVA9AD3C-121	1253050
<b>CSR / CSIR Box:</b>	yes		1262312
<b>Motor Protection:</b>	External 3/4"	MST00AFZ-3261	2321148

**EXTERNAL CHARACTERISTICS**

**Base Plate:** Universal  
**Tray Holder:** No  
**Height:** 206 mm

	Internal Diameter (mm)	Material	Shape
<b>Suction Connector</b>	8.1	Copper	Slanted 42°
<b>Discharge Connector</b>	6.45	Copper	Straight
<b>Process Connector</b>	6.45	Copper	Slanted 42°

## RATED POINT DATA

Cooling Capacity (W)	Power Consumption (W)	Current Consumption (A)	Gas Flow Rate (kg/h)	Efficiency (W/W)
±5%	±5%	±5%	±5%	±7%
1 769	848	8.67	39.00	2.09

Test condition: ASHRAE, Fan, Return Gas 35°C, Subcooling 8.3K, Evaporating: 7.2°C, Condensing: 54°C, Ambient: 35°C

## PERFORMANCE CURVE DATA

**115V 60Hz**

Condensing Temperature (°C)	Evaporating Temperature (°C)	Cooling Capacity (W)	Power Consumption (W)	Current Consumption (A)	Gas Flow Rate (kg/h)	Efficiency (W/W)
		±5%	±5%	±5%	±5%	±7%
<b>35°C</b>	10	2 417	819	8.47	45.66	2.95
	5	2 014	731	7.83	37.82	2.76
	0	1 657	653	7.30	30.94	2.54
	-5	1 345	585	6.87	25.00	2.30
	-10	1 078	525	6.54	19.97	2.05
	-15	857	475	6.31	15.82	1.81

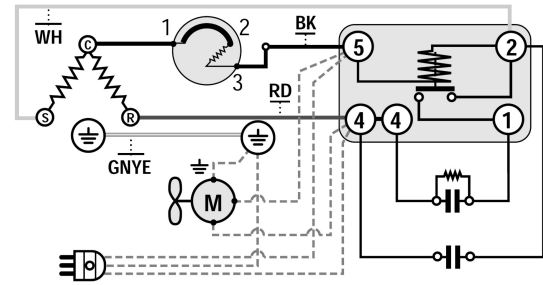
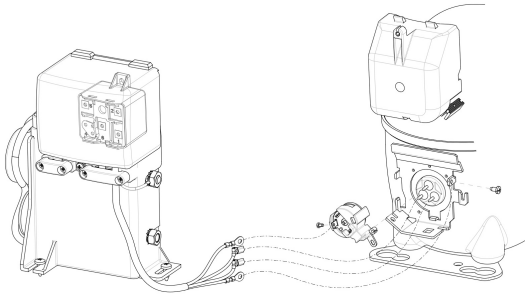
Condensing Temperature (°C)	Evaporating Temperature (°C)	Cooling Capacity (W)	Power Consumption (W)	Current Consumption (A)	Gas Flow Rate (kg/h)	Efficiency (W/W)
		±5%	±5%	±5%	±5%	±7%
<b>45°C</b>	10	2 178	858	8.75	44.53	2.54
	5	1 811	770	8.09	36.77	2.35
	0	1 484	690	7.53	29.96	2.15
	-5	1 198	618	7.06	24.08	1.94
	-10	954	553	6.68	19.08	1.72
	-15	750	495	6.38	14.95	1.51

Condensing Temperature (°C)	Evaporating Temperature (°C)	Cooling Capacity (W)	Power Consumption (W)	Current Consumption (A)	Gas Flow Rate (kg/h)	Efficiency (W/W)
		±5%	±5%	±5%	±5%	±7%
<b>55°C</b>	10	1 938	904	9.10	43.30	2.14
	5	1 605	814	8.41	35.61	1.97
	0	1 309	730	7.80	28.85	1.79
	-5	1 050	652	7.27	23.00	1.61
	-10	826	579	6.83	18.03	1.43

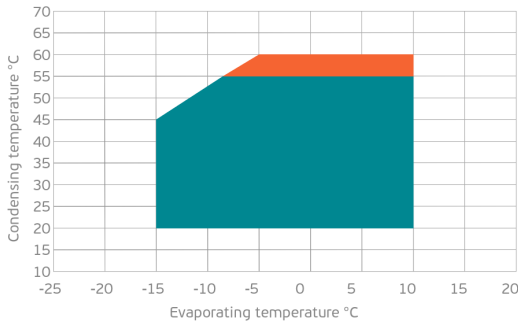
Test condition: ASHRAE, Fan, Return Gas 35°C, Subcooling 8.3K, Ambient: 35°C

**ASSEMBLY INSTRUCTION**

**WIRING DIAGRAM**

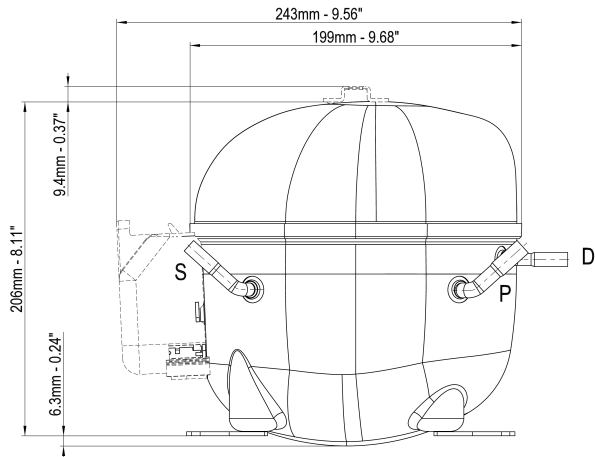


**OPERATING ENVELOPE**



- Operating Condition
- Transient Condition
- Superheating

**NOTE:** usage of compressors outside of intended working range cannot make use of the warranty, or should be consulted with Technical support.



	∅ mm	∅ in	Material
<b>S - Suction</b>	8.10 - 8.20	0.32	Cu
<b>P - Process</b>	6.45 - 6.55	0.25	Cu
<b>D - Discharge</b>	6.45 - 6.55	0.25	Cu

