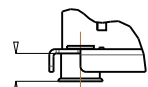


PLOT CAOUTCHOUC /Rubber grommet



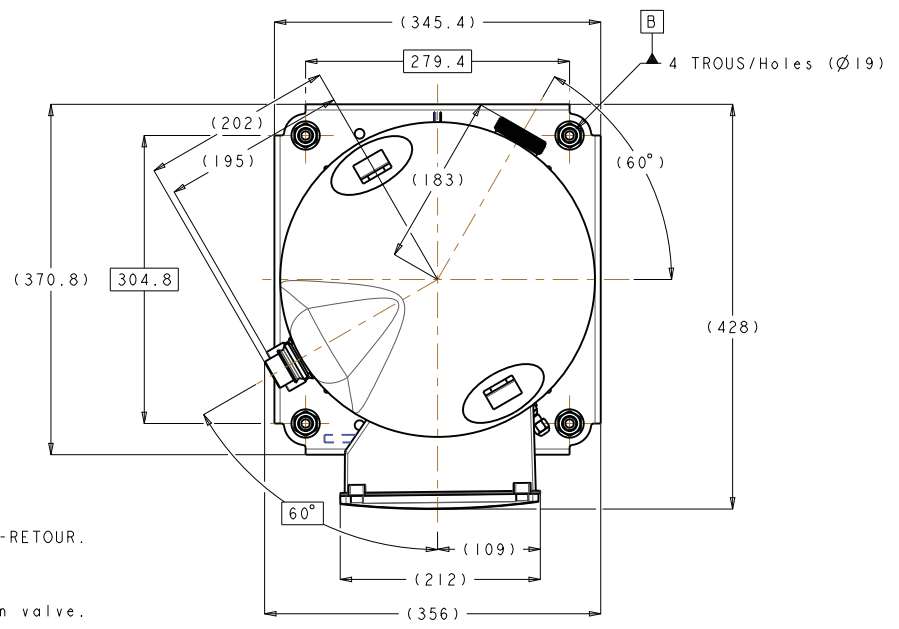
SANS COMPRESSION: (29.5) /Without compression  
 AVEC COMPRESSION: (27.5) /With compression

**NOTE:**

1. COMPRESSEUR EQUIPE DE CLAPET ANTI-RETOUR.

**Note:**

1. Compressor equipped with non return valve.



REFERENCE PIECE / Part number	
8556090P01	B.2

C.3	ECR-2011-3191	14/04/11	Projection $\left[ \begin{array}{c} \oplus \\ \ominus \end{array} \right]$	Scale 1/4	Material Tol Gen	A2
B	ECR-2010-2897	28/02/11				
A	ECR-2010-2588	27/10/10	 <b>Danfoss Commercial Compressors</b>	Designation ENCOMBREMENT BRASE SH/SJ300 SH/SJ300 BRAZED OUTLINE	c.3 No. 8556090	C
Replace						
Design	DPR					
Approval	BOP					
<small>Confidential: Property of Danfoss Commercial Compressors. Not to be handed over to copied or used by third party. Two or three dimensional reproduction of contents to be authorized by Danfoss CC.</small>						
				Production print		