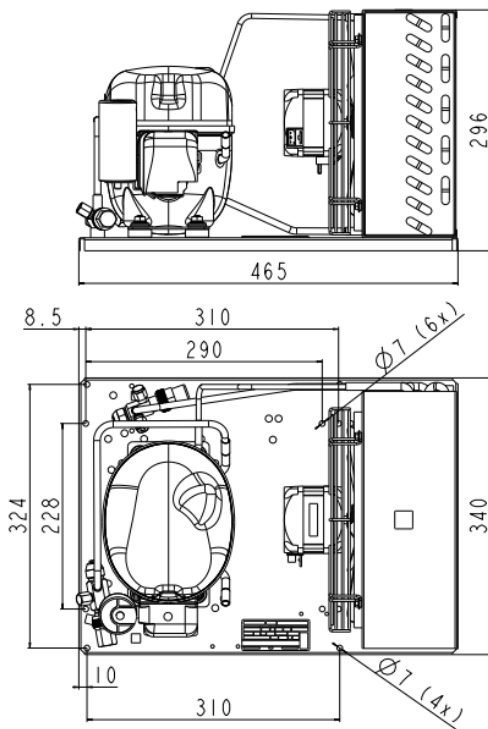


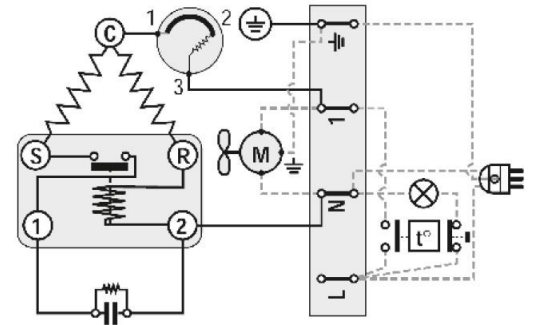
### GENERAL DATA

<b>Application:</b>	M/HBP
<b>Refrigerant:</b>	R404A
<b>Expansion Device:</b>	C-V
<b>Weight:</b>	21.4 kg
<b>Receiver:</b>	0 liter
<b>Voltage/Frequency:</b>	220 - 240 V 50 ~
<b>Height:</b>	21.4 mm
<b>Length:</b>	465 mm
<b>Width:</b>	340 mm
<b>Institute Approvals:</b>	<b>CE</b>

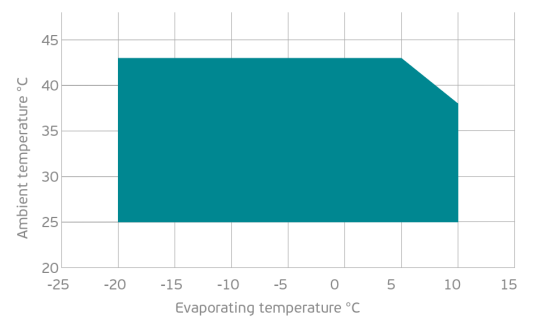
### EXTERNAL DIMENSIONS



### WIRING DIAGRAM



### OPERATING ENVELOPE



### COMPONENTS (SPARE PARTS)

<b>condenser:</b>	3R11T	2451206
<b>valve_suca:</b>	FLARE 3/8"	2110024
<b>compressor:</b>	NEK6210GK	958CA51..AM

<b>fankit:</b>	16W 254/28/5B	1996610
<b>valve_disch:</b>	FLARE 1/4"	2110025
<b>elkit:</b>	ELKOM NEK6210GK	958CA51N1A

For additional accessories please contact our technical support

**ELECTRICAL DATA**

**Motor Type:** CSIR -  
**Locked Rotor Amperage (LRA):** 10.1 A  
**Max.Current:** 3.91 A

At maximum evaporating temperature and maximum ambient temperature.

**FAN MOTOR**

**Number:** 1 -  
**Shaft Power:** 16 W  
**Air Flow:** 595 m<sup>3</sup>/h  
**Blade Diameter:** 254 mm

**PERFORMANCE CURVE DATA**

Standard: EN13215-RG20 / return gas 20°C, subcooling 3K

50 Hz

	Evaporating Temperature (°C)	Cooling Capacity (W)	Power Consumption (W)	Current Consumption (A)	Efficiency (W/W)
25 °C Ambient Temperature	10°C	1 480	635	3.78	2.33
	5°C	1 304	586	3.57	2.23
	0°C	1 135	541	3.39	2.10
	-5°C	973	499	3.22	1.95
	Rated point -10°C	820	460	3.08	1.78
	-15°C	677	424	2.96	1.60
	-20°C	544	390	2.85	1.40
32 °C Ambient Temperature	10°C	1 294	685	3.98	1.89
	5°C	1 142	630	3.74	1.81
	0°C	996	579	3.53	1.72
	-5°C	858	533	3.35	1.61
	Rated point -10°C	729	489	3.18	1.49
	-15°C	610	449	3.03	1.36
	-20°C	501	410	2.91	1.22
43 °C Ambient Temperature	5°C	906	691	3.98	1.31
	0°C	787	634	3.74	1.24
	-5°C	676	580	3.52	1.16
	Rated point -10°C	573	531	3.32	1.08
	-15°C	480	485	3.15	0.99
	-20°C	398	442	3.00	0.90