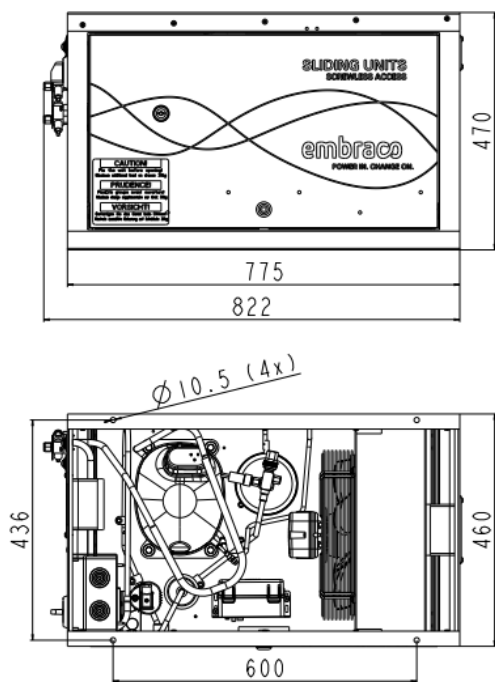


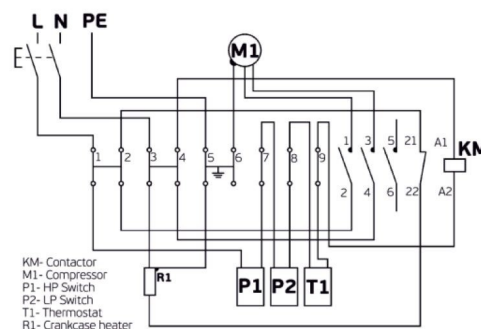
### GENERAL DATA

<b>Application:</b>	M/HBP
<b>Refrigerant:</b>	R404A
<b>Expansion Device:</b>	C-V
<b>Weight:</b>	82 kg
<b>Receiver:</b>	2.3 liter
<b>Voltage/Frequency:</b>	220 - 240 V 50 ~
<b>Height:</b>	82 mm
<b>Length:</b>	822 mm
<b>Width:</b>	460 mm
<b>Institute Approvals:</b>	<b>CE</b>

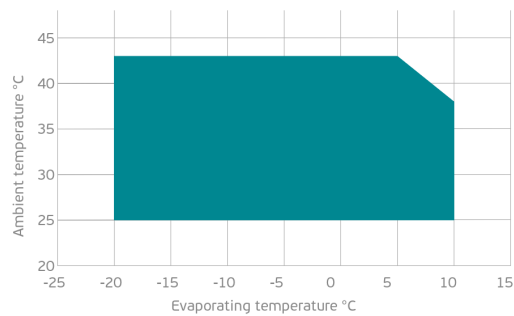
### EXTERNAL DIMENSIONS



### WIRING DIAGRAM



### OPERATING ENVELOPE



### COMPONENTS (SPARE PARTS)

<b>fankit:</b>	S4E300-XX	1996589
<b>valve_disch:</b>	SOLDER 3/8"	2110119
<b>sightglass:</b>	SIGHT GLASS 10MM ODF	2464040
<b>heater:</b>	CRANKCASE HEATER 230V/55W	2464141
<b>condenser:</b>	3R14T	2451198
<b>elkit:</b>	ELECTRICAL BOX/PROTECTOR	1996560/2289028

<b>valve_suca:</b>	SOLDER 1/2"	2110118
<b>dryer:</b>	FILTER DRYER 10MM ODF	2730010
<b>lpressostat:</b>	PS1-A3K	2466036
<b>flexihose:</b>	FLEXI HOSE 12MM ODF	2464244
<b>compressor:</b>	NJ9232GK	943NA11..AC
<b>hpressostat:</b>	P100CP-106D	2466034

For additional accessories please contact our technical support

**ELECTRICAL DATA**

**Motor Type:** CSR -  
**Locked Rotor Amperage (LRA):** 30 A  
**Max.Current:** 7.78 A

At maximum evaporating temperature and maximum ambient temperature.

**FAN MOTOR**

**Number:** 1 -  
**Shaft Power:** 95 W  
**Air Flow:** 1450 m<sup>3</sup>/h  
**Blade Diameter:** - mm

**PERFORMANCE CURVE DATA**

Standard: EN13215-RG20 / return gas 20°C, subcooling 3K

50 Hz

	Evaporating Temperature (°C)	Cooling Capacity (W)	Power Consumption (W)	Current Consumption (A)	Efficiency (W/W)
<b>25 °C</b> Ambient Temperature	10°C	3 864	1 733	8.22	2.23
	5°C	3 477	1 583	7.49	2.20
	0°C	3 085	1 447	6.87	2.13
	-5°C	2 694	1 325	6.32	2.03
	<b>Rated point</b> -10°C	2 306	1 213	5.83	1.90
	-15°C	1 927	1 109	5.37	1.74
	-20°C	1 560	1 012	4.91	1.54
<b>32 °C</b> Ambient Temperature	10°C	3 554	1 797	8.53	1.98
	5°C	3 205	1 639	7.76	1.96
	0°C	2 849	1 496	7.10	1.90
	-5°C	2 490	1 366	6.52	1.82
	<b>Rated point</b> -10°C	2 132	1 247	5.99	1.71
	-15°C	1 778	1 136	5.49	1.56
	-20°C	1 434	1 033	5.00	1.39
<b>43 °C</b> Ambient Temperature	5°C	2 605	1 726	8.08	1.51
	0°C	2 326	1 570	7.38	1.48
	-5°C	2 040	1 427	6.76	1.43
	<b>Rated point</b> -10°C	1 749	1 296	6.20	1.35
	-15°C	1 459	1 173	5.66	1.24
	-20°C	1 173	1 058	5.13	1.11