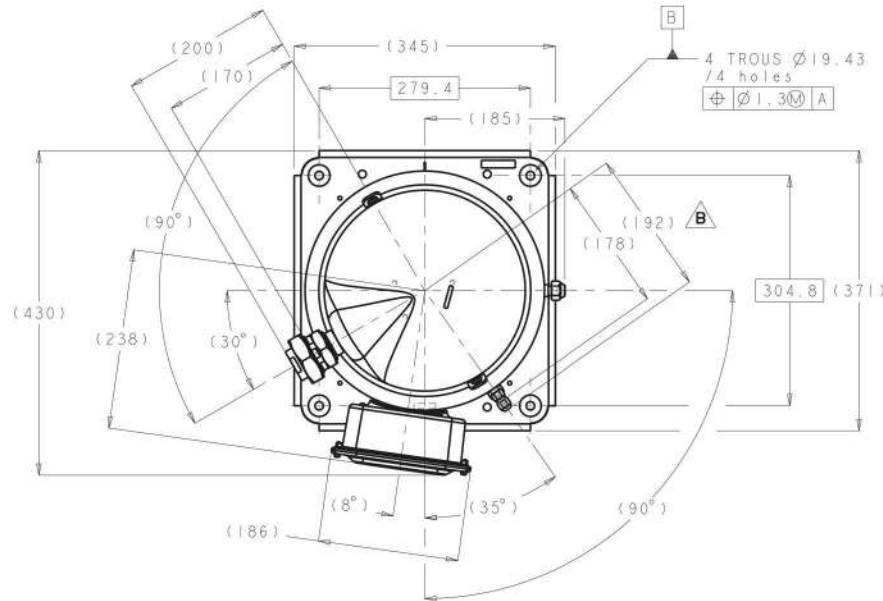


SANS COMPRESSION: (29.5)
/Without compression
AVEC COMPRESSION (28.0)
/With compression

	ROTOLOCK	SLEEVE
SUCTION	2" 1/4	1" 3/8
DISCHARGE	1" 3/4	7/8"



REFERENCE PIECE / Part number
8551119P01 B.4

			Projection	Scale	Material
B.7	ECR-2010-2897	15/03/11		1/5	Tol Gen
A	DM 990310	13/12/99			Designation
Mrk	Approval/Rev	Date			S175/185-R OUTLINE WITH SLEEVE
Replace					ENCOMBREMENT S175/185 - R AVEC SLEEVE
Design	DPR				
Approval	BOP				
 Danfoss Commercial Compressors					No. 8551119 Production print

Confidential: Property of Danfoss Commercial Compressors. Not to be handed over to copied or used by third party. Two or three dimensional reproduction of contents to be authorized by Danfoss CC.