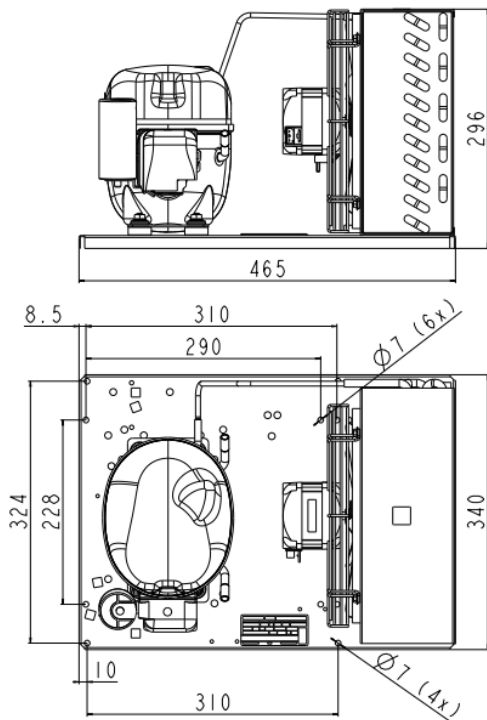


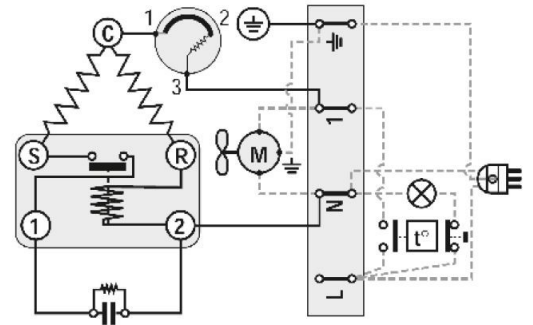
### GENERAL DATA

<b>Application:</b>	M/HBP
<b>Refrigerant:</b>	R134a
<b>Expansion Device:</b>	C-V
<b>Weight:</b>	20.5 kg
<b>Receiver:</b>	0 liter
<b>Voltage/Frequency:</b>	<b>220 - 240 V 50 ~</b>
<b>Height:</b>	20.5 mm
<b>Length:</b>	465 mm
<b>Width:</b>	340 mm
<b>Institute Approvals:</b>	<b>CE</b>

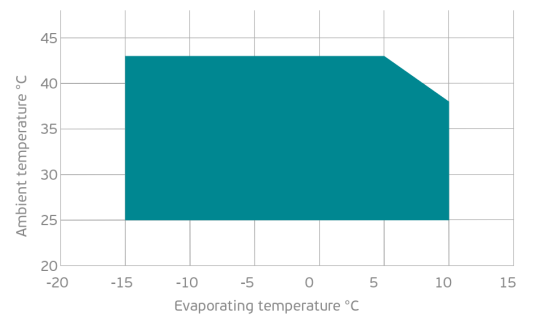
### EXTERNAL DIMENSIONS



### WIRING DIAGRAM



### OPERATING ENVELOPE



### COMPONENTS (SPARE PARTS)

<b>condenser:</b>	3R11T	2451206	<b>fankit:</b>	16W 254/28/5B	1996579
<b>compressor:</b>	NEK6214Z	269JA51..AN	<b>elkit:</b>	ELKOM NEK6214Z	269JA51N1A

For additional accessories please contact our technical support

**ELECTRICAL DATA**

Motor Type: CSIR -  
 Locked Rotor Amperage (LRA): 21.2 A  
 Max.Current: 5.17 A

At maximum evaporating temperature and maximum ambient temperature.

**FAN MOTOR**

Number: 1 -  
 Shaft Power: 16 W  
 Air Flow: 595 m<sup>3</sup>/h  
 Blade Diameter: 254 mm

**PERFORMANCE CURVE DATA**

Standard: EN13215-RG20 / return gas 20°C, subcooling 3K

50 Hz

	Evaporating Temperature (°C)	Cooling Capacity (W)	Power Consumption (W)	Current Consumption (A)	Efficiency (W/W)
25 °C Ambient Temperature	10°C	1 655	782	4.89	2.12
	5°C	1 423	704	4.62	2.02
	0°C	1 210	634	4.40	1.91
	-5°C	1 015	570	4.22	1.78
	Rated point -10°C	839	514	4.08	1.63
	-15°C	681	464	3.98	1.47
32 °C Ambient Temperature	10°C	1 505	806	5.04	1.87
	5°C	1 294	726	4.77	1.78
	0°C	1 100	653	4.54	1.68
	-5°C	923	587	4.35	1.57
	Rated point -10°C	762	529	4.21	1.44
	-15°C	619	479	4.11	1.29
43 °C Ambient Temperature	5°C	1 089	788	4.96	1.38
	0°C	921	704	4.68	1.31
	-5°C	766	628	4.44	1.22
	Rated point -10°C	627	559	4.24	1.12
	-15°C	501	500	4.09	1.00