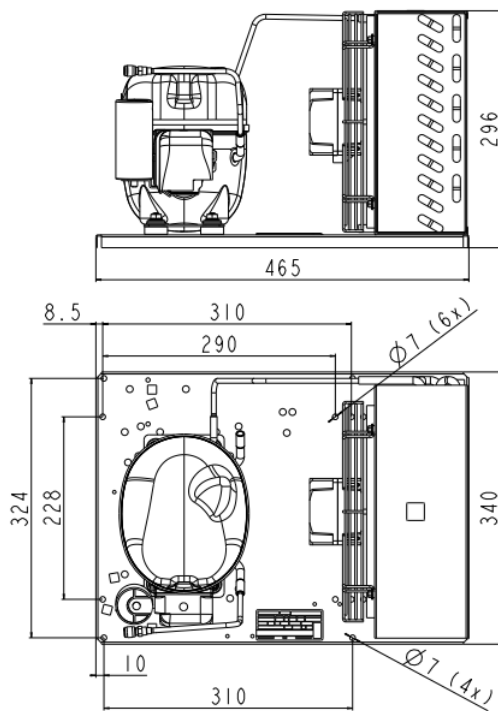


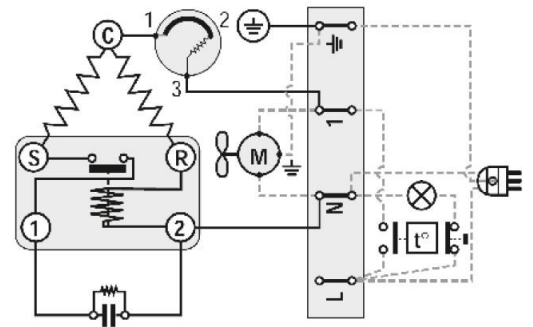
GENERAL DATA

Application:	M/HBP
Refrigerant:	R290
Expansion Device:	C-V
Weight:	20 kg
Receiver:	0 liter
Voltage/Frequency:	220 - 240 V 50 ~
Height:	20 mm
Length:	465 mm
Width:	340 mm
Institute Approvals:	CE

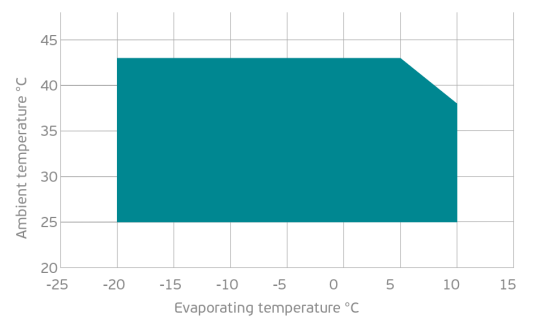
EXTERNAL DIMENSIONS



WIRING DIAGRAM



OPERATING ENVELOPE



COMPONENTS (SPARE PARTS)

compressor:	NEK6213U	863CA51..AM
fankit:	IQ3612 254/28/5P	1996703

condenser:	3R11T	2451206
elkit:	ELKOM NEK6213U	863CA51N1A

For additional accessories please contact our technical support

ELECTRICAL DATA

Motor Type: CSIR -
Locked Rotor Amperage (LRA): 19.3 A
Max.Current: 4.44 A

At maximum evaporating temperature and maximum ambient temperature.

FAN MOTOR

Number: 1 -
Shaft Power: - W
Air Flow: 595 m³/h
Blade Diameter: 254 mm

PERFORMANCE CURVE DATA

Standard: EN13215-RG20 / return gas 20°C, subcooling 3K

50 Hz

	Evaporating Temperature (°C)	Cooling Capacity (W)	Power Consumption (W)	Current Consumption (A)	Efficiency (W/W)
25 °C Ambient Temperature	10°C	1 684	663	4.18	2.54
	5°C	1 482	616	4.01	2.41
	0°C	1 293	570	3.85	2.27
	-5°C	1 117	526	3.70	2.12
	Rated point -10°C	952	485	3.57	1.96
	-15°C	798	448	3.46	1.78
	-20°C	654	414	3.36	1.58
32 °C Ambient Temperature	10°C	1 532	714	4.35	2.15
	5°C	1 349	659	4.14	2.05
	0°C	1 178	607	3.95	1.94
	-5°C	1 018	557	3.78	1.83
	Rated point -10°C	869	511	3.63	1.70
	-15°C	731	468	3.50	1.56
	-20°C	601	431	3.39	1.40
43 °C Ambient Temperature	5°C	1 150	715	4.33	1.61
	0°C	1 000	656	4.10	1.53
	-5°C	860	600	3.91	1.43
	Rated point -10°C	730	549	3.73	1.33
	-15°C	608	502	3.59	1.21
	-20°C	495	461	3.47	1.07