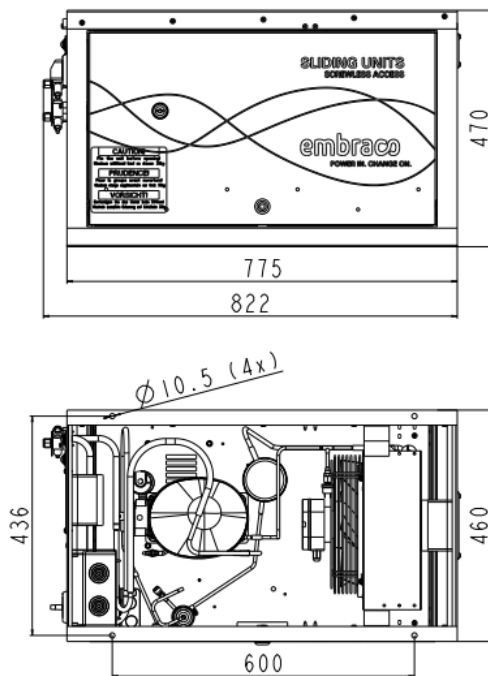


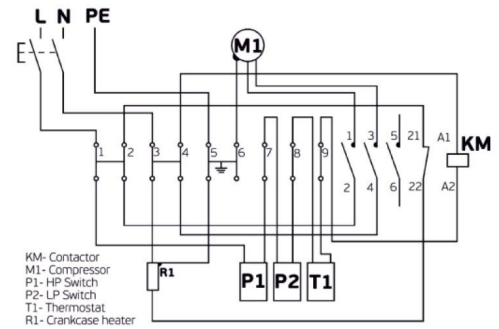
GENERAL DATA

Application:	M/HBP
Refrigerant:	R134a
Expansion Device:	C-V
Weight:	66 kg
Receiver:	1.1 liter
Voltage/Frequency:	220 - 240 V 50 ~
Height:	66 mm
Length:	822 mm
Width:	460 mm
Institute Approvals:	CE

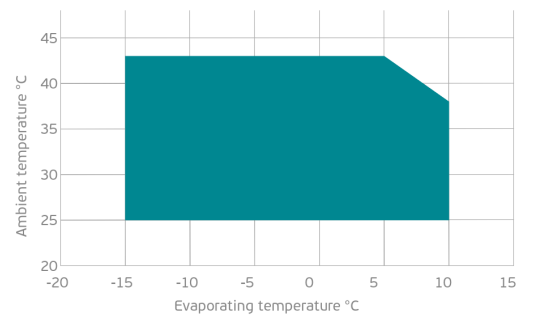
EXTERNAL DIMENSIONS



WIRING DIAGRAM



OPERATING ENVELOPE



COMPONENTS (SPARE PARTS)

dryer:	FILTER DRYER 6MM ODF	2730006	sightglass:	SIGHT GLASS 6MM ODF	2464031
hpressostat:	P100CP-102D	2466033	lpressostat:	PS1-A3K	2466036
compressor:	NEK6214Z	269JA51..AN	elkit:	ELKOM NEK6214Z	269JA51N1A
condenser:	3R12T	2451226	fankit:	AXIAL FAN 230V/50HZ/1PH	1996726
heater:	CRANKCASE HEATER 230V/40W	2464205	flexihose:	FLEXI HOSE 10MM ODF	2464241
valve_suca:	SOLDER 3/8"	2110119	valve_disch:	SOLDER 1/4"	2110120

For additional accessories please contact our technical support

ELECTRICAL DATA

Motor Type: CSIR -
Locked Rotor Amperage (LRA): 21.2 A
Max.Current: 4.47 A

At maximum evaporating temperature and maximum ambient temperature.

FAN MOTOR

Number: 1 -
Shaft Power: - W
Air Flow: 840 m³/h
Blade Diameter: 250 mm

PERFORMANCE CURVE DATA

Standard: EN13215-RG20 / return gas 20°C, subcooling 3K

50 Hz

	Evaporating Temperature (°C)	Cooling Capacity (W)	Power Consumption (W)	Current Consumption (A)	Efficiency (W/W)
25 °C Ambient Temperature	10°C	1 634	753	4.76	2.17
	5°C	1 398	675	4.48	2.07
	0°C	1 181	605	4.25	1.95
	-5°C	982	541	4.06	1.82
	Rated point -10°C	802	485	3.91	1.65
	-15°C	642	437	3.81	1.47
32 °C Ambient Temperature	10°C	1 495	797	4.91	1.88
	5°C	1 284	716	4.62	1.79
	0°C	1 089	641	4.37	1.70
	-5°C	911	574	4.16	1.59
	Rated point -10°C	751	515	4.00	1.46
	-15°C	608	463	3.88	1.31
43 °C Ambient Temperature	5°C	1 100	766	4.76	1.44
	0°C	927	685	4.47	1.35
	-5°C	768	612	4.23	1.25
	Rated point -10°C	624	547	4.03	1.14
	-15°C	495	490	3.87	1.01