

NL10MF Standard Compressor R134a 220-240V 50Hz & 208-230V 60Hz

General

| | |
|-----------------------|----------------------|
| Code number | 105G6886 |
| Approvals | EN 60335-2-34, UL984 |
| Compressors on pallet | 80 |

Application

| Application | MBP | | | |
|--|-----|-----------|------------|--|
| | Hz | 50 | 60 | |
| Frequency | Hz | 50 | 60 | |
| Evaporating temperature | °C | -20 to 15 | -35 to 7.2 | |
| Voltage range | V | 187 - 254 | 198 - 254 | |
| Max. condensing temperature continuous (short) | °C | 60 (70) | 60 (70) | |
| Max. winding temperature continuous (short) | °C | 125 (135) | 125 (135) | |

Cooling requirements

| Frequency | Hz | 50 | | | 60 | | |
|-----------|----|-----|----------------|----------------|----------------|----------------|-----|
| | | LBP | MBP | HBP | LBP | MBP | HBP |
| 32°C | | - | F ₁ | F ₁ | F ₁ | F ₁ | - |
| 38°C | | - | F ₁ | F ₁ | F ₁ | F ₁ | - |
| 43°C | | - | F ₁ | F ₁ | F ₁ | F ₁ | - |

Remarks on application: F₂ for 230-240V 50Hz nominal below -12°C evaporating temp. CSIR strongly recommended for 60Hz

Motor

| Motor type | RSIR/CSIR | |
|---|-----------|-------------|
| LRA (rated after 4 sec. UL984), HST LST | A | 16.1 13.1 |
| Cut in Current, HST LST | A | 16.1 17.1 |
| Resistance, main start winding (25°C) | Ω | 6.1 17.5 |

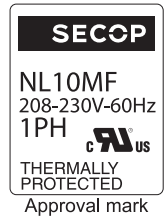
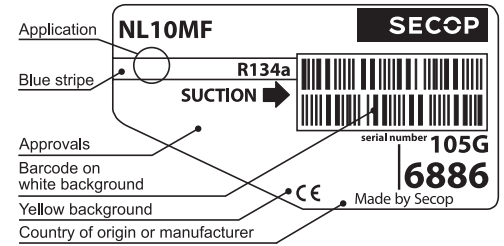
Design

| | | |
|-------------------------------------|-----------------|-------------------|
| Displacement | cm ³ | 10.10 |
| Oil quantity (type) | cm ³ | 300 (polyolester) |
| Maximum refrigerant charge | g | 600 |
| Free gas volume in compressor | cm ³ | 2360 |
| Weight without electrical equipment | kg | 10.5 |

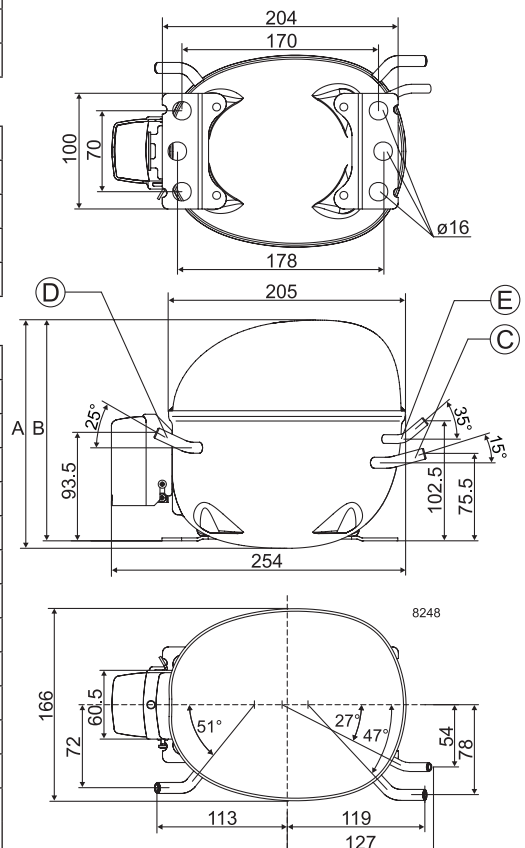
Dimensions

| | | | |
|----------------------|--------------------------|----|----------------------|
| Height | mm | A | 203 |
| | | B | 197 |
| | | B1 | - |
| | | B2 | - |
| Suction connector | location/I.D. mm angle | C | 9.7 15° |
| | material comment | | Copper Rubber plug |
| Process connector | location/I.D. mm angle | D | 6.5 25° |
| | material comment | | Copper Rubber plug |
| Discharge connector | location/I.D. mm angle | E | 6.5 35° |
| | material comment | | Copper Rubber plug |
| Oil cooler connector | location/I.D. mm angle | F | - |
| | material comment | | - |
| Connector tolerance | I.D. mm | | ±0.09 |

Remarks:



- S = Static cooling normally sufficient
- O = Oil cooling
- F₁ = Fan cooling 1.5 m/s (compressor compartment temperature equal to ambient temperature)
- F₂ = Fan cooling 3.0 m/s necessary
- SG = Suction gas cooling normally sufficient
- = not applicable in this area



EN 12900 Household (CECOMAF) 220V, 50Hz, fan cooling F₁

| | | | | | | | | | | | | | | | | | |
|--------------------|-----|-----|-----|-----|-----|-------|------|------|------|------|------|------|------|------|------|------|----|
| Evap. temp. in °C | -45 | -40 | -35 | -30 | -25 | -23.3 | -20 | -15 | -10 | -6.7 | -5 | 0 | 5 | 7.2 | 10 | 15 | 20 |
| Capacity in W | | | | | | | 266 | 346 | 441 | 513 | 554 | 687 | 843 | 919 | 1023 | 1231 | |
| Power cons. in W | | | | | | | 251 | 286 | 323 | 347 | 360 | 397 | 435 | 451 | 472 | 509 | |
| Current cons. in A | | | | | | | 2.06 | 2.15 | 2.25 | 2.33 | 2.37 | 2.50 | 2.65 | 2.72 | 2.81 | 2.98 | |
| COP in W/W | | | | | | | 1.06 | 1.21 | 1.37 | 1.48 | 1.54 | 1.73 | 1.94 | 2.04 | 2.17 | 2.42 | |

EN 12900 Household (CECOMAF) 220V, 60Hz, fan cooling F₁

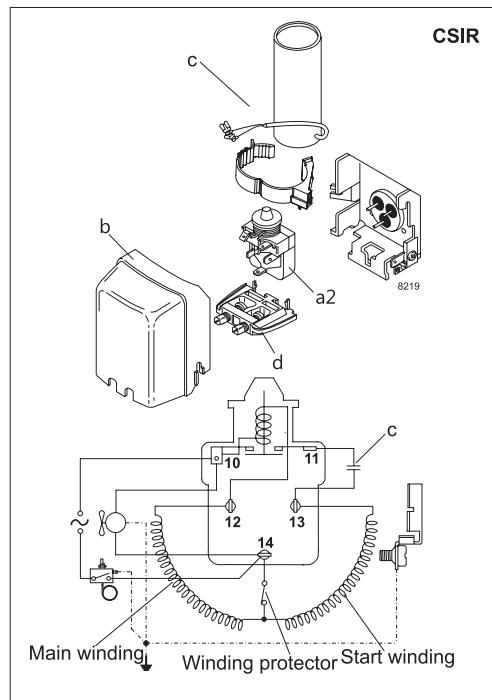
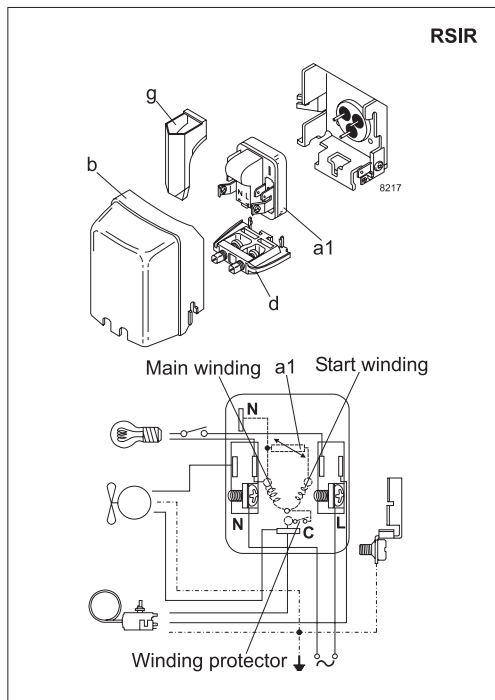
| | | | | | | | | | | | | | | | | | |
|--------------------|-----|-----|------|------|------|-------|------|------|------|------|------|------|------|------|----|----|----|
| Evap. temp. in °C | -45 | -40 | -35 | -30 | -25 | -23.3 | -20 | -15 | -10 | -6.7 | -5 | 0 | 5 | 7.2 | 10 | 15 | 20 |
| Capacity in W | | | 109 | 166 | 233 | 258 | 312 | 406 | 518 | 603 | 650 | 807 | 989 | 1079 | | | |
| Power cons. in W | | | 143 | 187 | 232 | 248 | 278 | 325 | 373 | 405 | 421 | 470 | 518 | 540 | | | |
| Current cons. in A | | | 1.44 | 1.57 | 1.71 | 1.76 | 1.87 | 2.03 | 2.21 | 2.34 | 2.40 | 2.60 | 2.82 | 2.91 | | | |
| COP in W/W | | | 0.76 | 0.89 | 1.00 | 1.04 | 1.12 | 1.25 | 1.39 | 1.49 | 1.54 | 1.72 | 1.91 | 2.00 | | | |

ASHRAE MBP 220V, 50Hz, fan cooling F₁

| | | | | | | | | | | | | | | | | | |
|--------------------|-----|-----|-----|-----|-----|-------|------|------|------|------|------|------|------|------|------|------|----|
| Evap. temp. in °C | -45 | -40 | -35 | -30 | -25 | -23.3 | -20 | -15 | -10 | -6.7 | -5 | 0 | 5 | 7.2 | 10 | 15 | 20 |
| Capacity in W | | | | | | | 293 | 382 | 487 | 567 | 611 | 758 | 930 | 1014 | 1129 | 1359 | |
| Power cons. in W | | | | | | | 251 | 286 | 322 | 346 | 358 | 396 | 433 | 449 | 470 | 506 | |
| Current cons. in A | | | | | | | 2.06 | 2.15 | 2.25 | 2.33 | 2.37 | 2.50 | 2.64 | 2.71 | 2.81 | 2.90 | |
| COP in W/W | | | | | | | 1.17 | 1.33 | 1.51 | 1.64 | 1.71 | 1.92 | 2.15 | 2.26 | 2.40 | 2.68 | |

ASHRAE MBP 220V, 60Hz, fan cooling F₁

| | | | | | | | | | | | | | | | | | |
|--------------------|-----|-----|------|------|------|-------|------|------|------|------|------|------|------|------|----|----|----|
| Evap. temp. in °C | -45 | -40 | -35 | -30 | -25 | -23.3 | -20 | -15 | -10 | -6.7 | -5 | 0 | 5 | 7.2 | 10 | 15 | 20 |
| Capacity in W | | | 122 | 184 | 258 | 285 | 344 | 448 | 571 | 665 | 718 | 890 | 1092 | 1190 | | | |
| Power cons. in W | | | 144 | 188 | 232 | 248 | 278 | 325 | 372 | 403 | 419 | 467 | 515 | 536 | | | |
| Current cons. in A | | | 1.44 | 1.57 | 1.71 | 1.76 | 1.87 | 2.03 | 2.21 | 2.33 | 2.39 | 2.59 | 2.81 | 2.90 | | | |
| COP in W/W | | | 0.84 | 0.98 | 1.11 | 1.15 | 1.24 | 1.38 | 1.53 | 1.65 | 1.71 | 1.90 | 2.12 | 2.22 | | | |



| Accessories for | NL10MF | Figure | Code number |
|---------------------------|-------------------------|--------|-------------|
| PTC starting device | 6.3 mm spade connectors | a1 | 103N0011 |
| | 4.8 mm spade connectors | | 103N0018 |
| Starting relay | 6.3 mm spade connectors | a2 | 117U6022 |
| Start. capacitor 125 µF | 6.3 mm spade connectors | c | 117U5018 |
| Cover | | b | 103N2011 |
| Cord relief | | d | 103N1010 |
| Protection screen for PTC | | g | 103N0476 |

| Test conditions | EN 12900/CECOMAF | ASHRAE |
|-------------------------|------------------|--------|
| Condensing temperature | 55°C | 54.4°C |
| Ambient temperature | 32°C | 35°C |
| Suction gas temperature | 32°C | 35°C |
| Liquid temperature | no subcooling | 46.1°C |

| Mounting accessories | | Code number |
|--------------------------|----------|-------------|
| Bolt joint for one comp. | Ø: 16 mm | 118-1917 |
| Bolt joint in quantities | Ø: 16 mm | 118-1918 |
| Snap-on in quantities | Ø: 16 mm | 118-1919 |

Nidec GA Compressors accepts no responsibility for possible errors in catalogs, brochures, and other printed material. Nidec GA Compressors reserves the right to alter its products without notice. This also applies to products already on order provided that such alterations can be made without subsequential changes being necessary to specifications already agreed. All trademarks in this material are the property of the respective companies. Secop and the Secop logotype are trademarks of Nidec Global Appliance Germany GmbH. All rights reserved. www.secop.com