



AIR CONDITIONING



REFRIGERATION



HEATING



EN

# macerator 4L & 10L

## CONDENSATE REMOVAL PUMP

Designed to collect defrost water from multiple refrigeration cabinets. The internal filter blade prevents the pumps from clogging, allowing longer intervals between maintenance visits.



780L/h max. flow



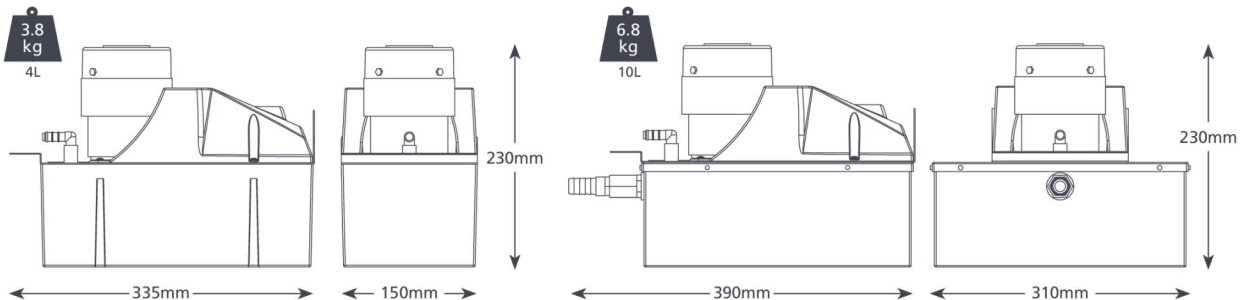
8.5m max. rec. head  
(flow rate 80L/h)

### KEY FEATURES

- Internal filter blade
- High flow & head
- Hi-level safety switch

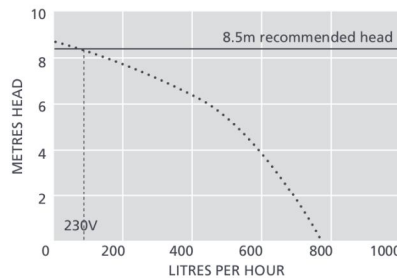
### SUITABILITY

- Single and multiple refrigeration units
- ✓ **Perfect for...** handling food waste that may pass through the pump



### MACERATOR 4L & 10L SPECIFICATIONS

Max. flow	780L/h @ 0 head
Max. rec. head	8.5m
Tank capacity	4L & 10L
Sound level@1m	64dB(A)
Power supply	230V AC 50-60Hz 0.38A
Rated	Non continuous
Class	I appliance
Max. unit output	n/a
Max. water temp	40°C / 104°F
Inlet/outlet	x2 40 & 55mm in, 10mm out
Additional inlet	3/4" in tank (10L only)
IP Protection	4L & 10L: IPX1
Safety switch	4.0A Normally closed
Thermal protection	✓
Self priming	n/a



### SUGGESTED XTRA ACCESSORIES

Description	Part No.
1 Amp Fuse	FP2620
Tube To Soil Stack Adaptor	FP2038
Vinyl Tube Braided 3/8" (10mm)	AX5101
StayClean Strips	FP1248

**Xtra** For more installation accessories take a look at our Aspen Xtra range

### MACERATOR 4L & 10L OPTIONS

Macerator 4L	FP2305
Macerator 10L	FP2307

### IN THE BOX

Macerator 4L or 10L pump (including hard wired 2m power cable) • Install manual

Download manual at [aspenpumps.com](http://aspenpumps.com)

Information correct at time of going to press.

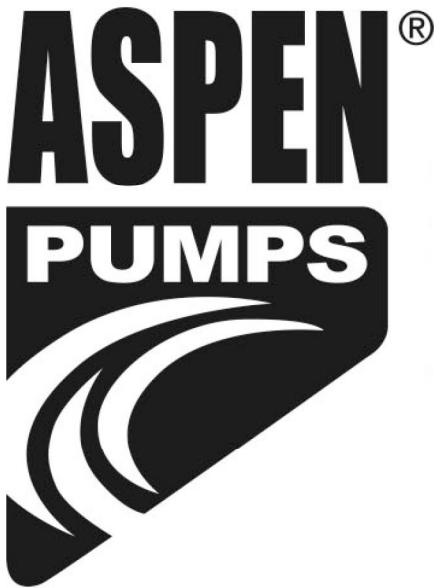


[aspenpumps.com](http://aspenpumps.com)

+44 (0)1323 848842

[sales@aspenpumps.com](mailto:sales@aspenpumps.com)

Making life easier for the installer



# The Aspen Macerator 4 litre & 10 litre Pump

*Suitable for fridge and freezer applications.*

## Description

The pump is designed to collect condensation and defrost from food hall cabinets. It has an internal filter blade to stop the pump from clogging with food debris between maintenance visits and will discharge the water to a head of 6 metres.

The pump comes with two different size tanks; 4 litres in plastic and 10 litres in stainless steel.

The internal prewired safety float is a low current switch to stop the drain down cycle in the event of pump failure. The pump is operated via two internal float switches.

## Dimensions

4 litre – Height: 230mm. Width: 335mm. Depth: 150mm.

10 litre – Height: 230mm. Width: 335mm. Depth: 310mm.

## Installation Notes

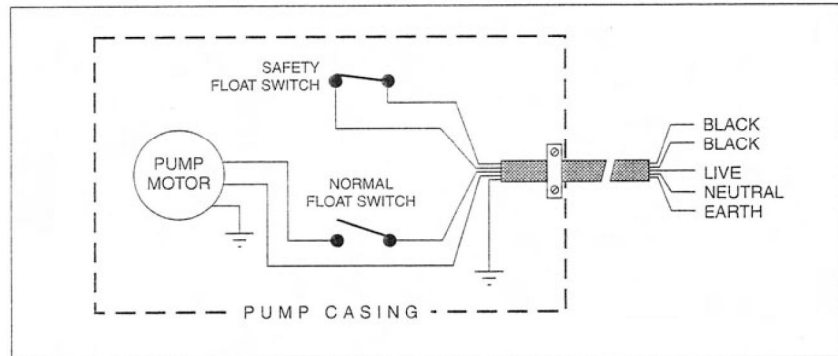
This pump is designed to sit level on its base.

Ensure that there are no kinks or trapped parts in the discharge piping, which must have an internal diameter of 9mm and be secured to the pump outlet with a pipe clamp.

**IMPORTANT:** The pre-wired safety switch **SHOULD ALWAYS** be utilised.

## Technical Specification

- 2 metre connecting cable
- Tank holds 4 litres or 10 litres
- Maximum recommended head 8.5m (flow rate 80 L/h)
- Maximum flow rate @ 0 head 780L/h
- Pump has a pre-wired safety switch. 4.0A max
- Power supply 230V AC 50-60Hz 0.38A



## Service Guide

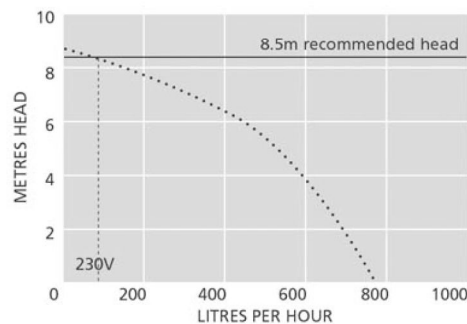
Remove debris from the pump at regular intervals and flush with an anti-bacterial wash to avoid sludge build up.

**NB:** The contractors should satisfy themselves that any chemicals used are compatible with the working of the pump.

For further help contact Aspen Pumps.

## Electrical Connections

- |              |                     |
|--------------|---------------------|
| Brown        | Live                |
| Blue         | Neutral             |
| Green/yellow | Earth               |
| 2 x Black    | Safety Float Switch |



**Designed by Engineers  
for Engineers**

## Aspen Pumps

Aspen Building, Apex Way, Hailsham, East Sussex BN27 3WA  
Telephone: 01323 848842. Fax: 01323 848846. [www.aspenpumps.com](http://www.aspenpumps.com)