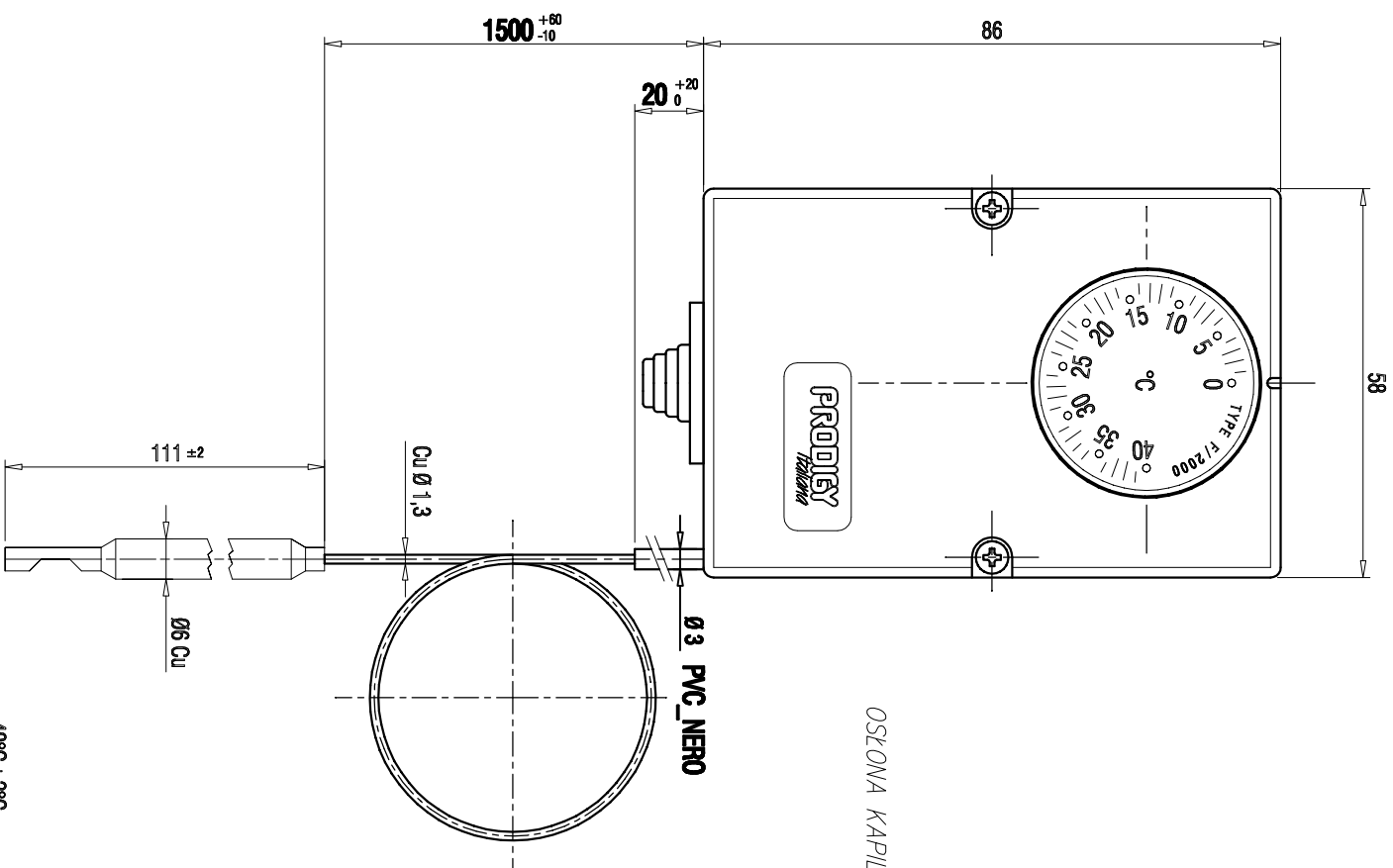
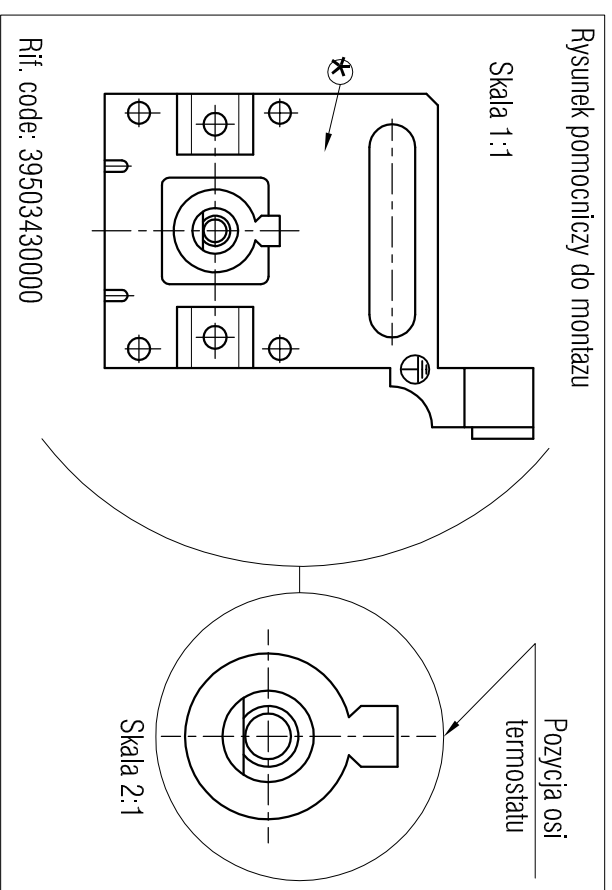
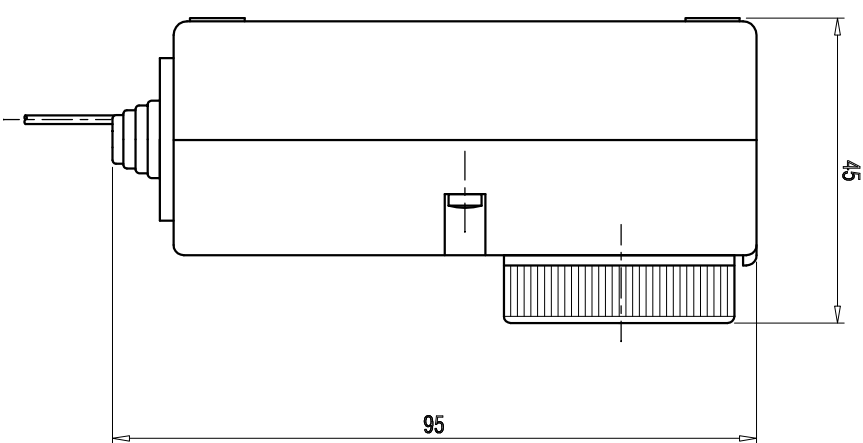


DIMENSION	J8	J9	J10	J11	J12	J13	J14	J15
> 0 A 6	±0.010	±0.015	±0.025	±0.040	±0.060	±0.100	±0.150	±0.250
> 6 A 18	±0.015	±0.025	±0.040	±0.060	±0.100	±0.150	±0.250	±0.350
>18 A 50	±0.020	±0.035	±0.050	±0.080	±0.125	±0.200	±0.350	±0.500
>50	±0.025	±0.050	±0.075	±0.100	±0.150	±0.250	±0.400	±0.500

RIF. DRAWING: 36900460000
 DATA: 12/06/07
 VER.: 00

NOTE:
 Items shown in this drawing must not contain substances that are banned according to Directive 2002/95/EC, the RoHS Directive (Lead, Cadmium, Mercury, hexavalent Chromium, PBB and PBDE)

NR	MOD.	INDEX	REVISIONS	DATA	NAME
1					
2					
3					
4					
5					



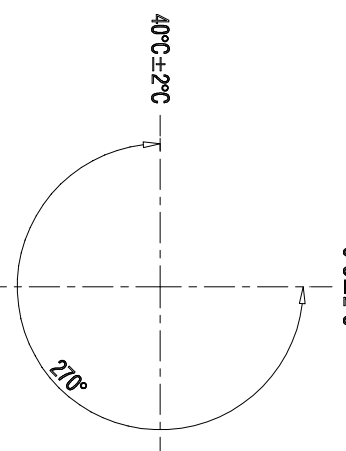
OSŁONA KAPILARY: PVC CZARNE

Ø 3 PVC NERO

DISTACCO = ROZŁĄCZENIE
 DIFFERENZIALE = RÓŻNICA

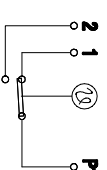
DISTACCO P1-1

0°C±2°C



P1-1 otwarcie / podczas wzrostu temperatury

P1-1 opens when temperature increase



- NOTE 11: Nickered sensible element
- NOTE 10: Casing shakproof with wire blockade
- NOTE 9: Electrical characteristic 16(4)A-400V~
- NOTE 8: Grade of protection IP44
- NOTE 7: Maximum ambient temperature T55 IMQ (ENEC)
- NOTE 6: Accepted mark
- NOTE 5: Thermostat shown in STOP position
- NOTE 4: Terminals in raw brass
- NOTE 3: Maximum bulb temperature 62°C
- NOTE 2: All terminals with mounting for wire
- NOTE 1: Minimum capillary bending radius 5 mm

- UMAGA 11: Kapilara kompletna niklowana
- UMAGA 10: Obudowa wstrząsoodporna z blokadą przewodu
- UMAGA 9: Charakterystyka elektryczna 16(4)A-400V~
- UMAGA 8: Stopień ochrony IP44
- UMAGA 7: Maksymalna temperatura otoczenia T55 IMQ (ENEC)
- UMAGA 6: Znak zaakceptowany
- UMAGA 5: Termostat przedstawiony w pozycji STOP
- UMAGA 4: Terminale z mosiądzu nieobrobionego
- UMAGA 3: Maksymalna temperatura sondy 62°C
- UMAGA 2: Terminale z mocowaniami na śrubę
- UMAGA 1: Minimalny kąt zgięcia kapilary 5 mm

Długość tulei/shaft length – 10,5 mm
 Długość kapilary/capillary length – 1630 (+60/-10) + sonda 111 (±2) Ø6 Cu
 Długość osłony/protection length – 150 (+20/-0) Ø3 PVC CZARNY/PVC BLACK

DIFFERENZIALE 0°C±1°C

N°	PARAMETER	VALUE	UNIT
1	Product identification	0046	
2	Calibration temperature	40	[°C]
3	Calibration angle	270	[°]
4	Functioning	P1-1	
5	Packing position	MAX	
6	Calibration method	-	

N°	PARAMETER	VALUE	UNIT
1	Product identification	0046	
2	Calibration temperature	40	[°C]
3	Calibration angle	270	[°]
4	Functioning	P1-1	
5	Packing position	MAX	
6	Calibration method	-	

		Cebi Poland Sp. z o.o. ul. Wygoda 9A, C.Bianco 41-206 Sosnowiec, POLAND	
Data 10.06.08	Prepared by K.C.	Model F/2000	Description TERMOSTAT F2000/0046 TERMOSTAT F2000/0046
Sheet 1/1	Apvd	Scale 1:1	Drawing no. D2012.00
Material -		Treatment -	
3D model D2012.00		2nd angle 	
This drawing and the designs and data depicted in it are the confidential property of Cebi Poland			

Rif. Drawing/owner/pn/data

mm 0 10 20 30 40 50 60 70 80 90 100