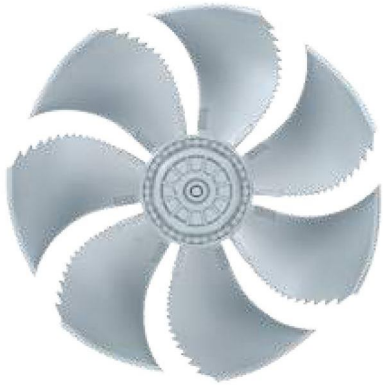


FE2owlet

for three phase alternating current, 6-6 pole

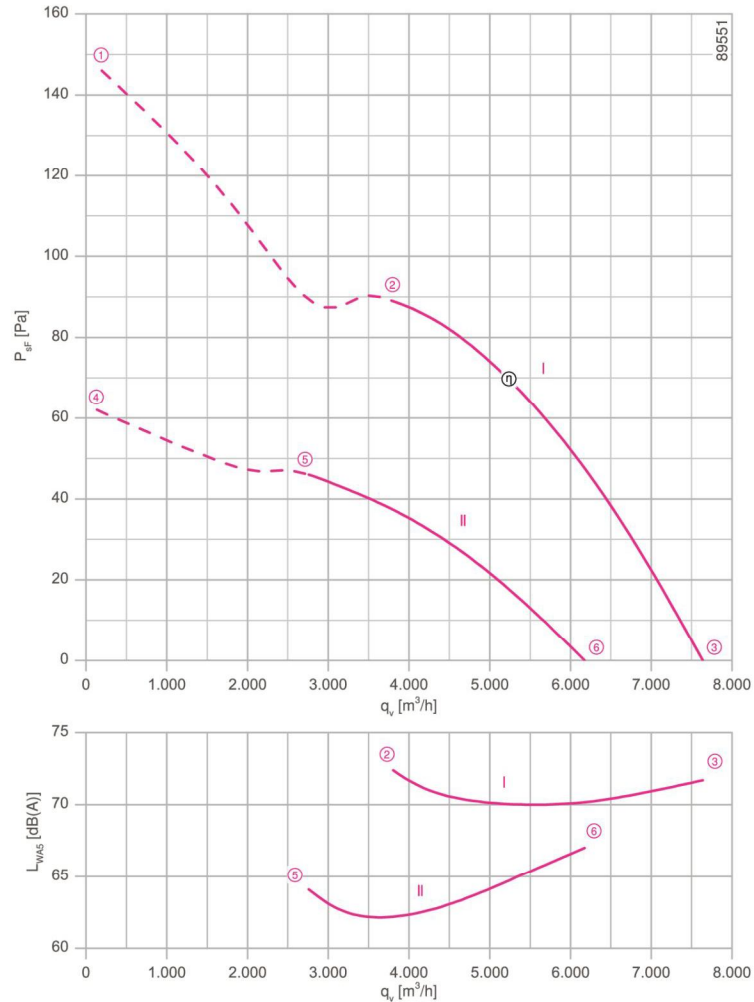
FN056-SD



Description

Motor technology: AC
 Rated voltage U_N : 3~400 V (Δ/Y) ± 10 %
 Rated frequency f_N : 50 Hz* (60Hz data available)
 Motor input power P_i : 0.34/0.21 kW*
 Rated current I_N : 0.70/0.38 A*
 Rated speed n_N : 870/ 630 min⁻¹*
 Starting current I_A : 2.20 A / 0.70 A
 Current increase ΔI : 0 %
 Thermal class: THCL155*
 Min. permitted conveyor temperature $t_{R(min)}$: -40 °C
 Max. permitted conveyor temperature $t_{R(max)}$: 70 °C
 Electrical connection: Terminal box
 Number of blades: 7
 Protection class: IP54
 Motor protection: Thermal contact
 Blades: Aluminium, uncoated
 Rotor: Aluminium, uncoated
 Conformity: ErP 2015, CE
ErP Data
 Efficiency η_{totalA} : 31.9 %
 Efficiency: $N_{actual} = 41.2 / N_{target} = 40$ **
 * Rated data
 **ErP 2015

Characteristic curve



Measured in full bell mouth without guard grille in installation type A according to ISO 5801.

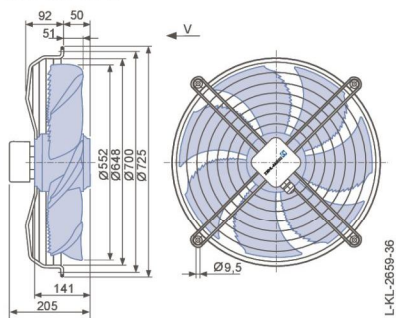
➤ Connection diagram 1360-108XA Page 608

➤ System components Page 524

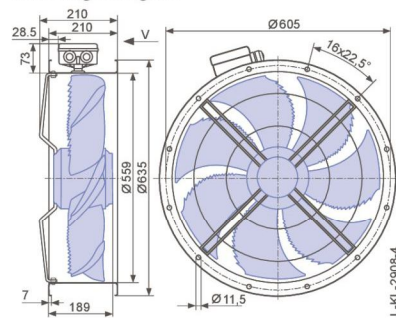
Dimensions [mm]



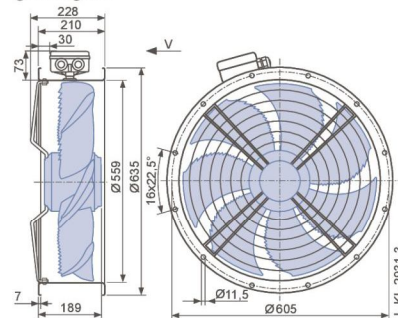
Design K - axial bolted, mounted for short bell mouth E



Design F - flange ring with two flanges without guard grille



Design F - flange ring with two flanges and guard grille



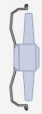
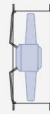
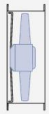
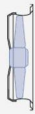
Performance data

Type	Connection	Characteristic curve	Voltage	Operating point	Current	Motor input power	Speed	Suction side sound power level L_{WAS} [dB]
			U [V]					
FN056-SD_4F_7P2	Δ	I	400	①	0.84	440	810	
			400*	②	0.70*	340*	870*	72
			400	③	0.58	250	920	72
	Y	II	400	④	0.42	230	530	
			400*	⑤	0.38*	210*	630*	64
			400	⑥	0.31	170	750	67

*rated data

Fan ordering information

Airflow direction V

Design	K	F (without contact protection)	F (with contact protection)	Q
				
Type	FN056-SDK.4F.V7P2	FN056-SDF.4F.V7P2	FN056-SDF.4F.V7P2	FN056-SDQ.4F.V7P2
Article no.	159453	159457	159456	159455
Weight [kg]	11.90	17.00	17.90	19.80

Control technology

Frequency inverter Fcontrol 3~	Motor protection units 3~	Transformer-based controllers 3~	Electronic voltage controllers 3~
			
Page 558	Page 596	Page 591	Page 578

Design Q - square, full bell mouth

