

Technical Data Sheet

Compressor model **L76TN**
 Voltage **200-220/230V 50/60Hz ~1**
 Refrigerant **R22**

APPLICATION		COMPRESSOR		MOTOR	
Application	High-Medium Back Pressure	Displacement	7,57 cm ³	Nominal Power	3/8 hp
Refrigerant	R22	Diameter	25,40 mm	Voltage/Frequency	200-220V 50Hz
Evaporating Temp.	-25,0 °C to 10,0 °C	Stroke	14,92 mm	Voltage range	180-242 V
Expansion	Capillar/Valve	Net Weight	10,20 Kg	Type	CSIR
Comp. Cooling	Fan cooled	Oil type	ISO VG 46 MINER	Phase number	1 PH
Max. ambient temp.	43,0 °C	Oil charge	465 cm ³	Locked Rotor Amps (LRA)	14,10 A
				Max. Cont. Current (MCC)	4,70 A
				Main W. resist. at 25°C	4,28 Ω
				Start W. resist. at 25°C	23,04 Ω

NOMINAL PERFORMANCE

	ASHRAE	CECOMAF
Cooling Capacity	840 kCal/h	832 W
COP	2,04 W/W	1,79 W/W
EER	1,75 kCal/Wh	1,54 kCal/Wh
Input Power	480 W	466 W
Current	3,00 A	3,01 A

APPROVALS

TEST CYCLE CONDITIONS

	ASHRAE HMBP (D)	CECOMAF HMBP (C)
Evaporating temp. (T _e)	7,2 °C	5,0 °C
Condensing temp. (T _c)	55,0 °C	55,0 °C
Liquid temp. (T _{liq.})	46,0 °C	55,0 °C
Ambient temp. (T _{amb.})	35,0 °C	32,0 °C
Suction temp. (T _{suction})	35,0 °C	32,0 °C
Voltage/Frequency	200 V 50 Hz	200 V 50 Hz

ELECTRICAL COMPONENTS

Starting capacitor	47- 56 μF 330 V			
Relay	Option 1			
Reference	2014 145.			
Pick-Up	7,10 A			
Drop-Out	6,00 A			
Protector	Option 1	Option 2		
Reference	MRP00AMK	T0425		
Current	11,70 A	11,50 A		
Time check	7,5-14 seg	7,5-14 seg		
Disc temp. (Open/Close)	105,00 / 61,00 °C	105,00 / 61,00 °C		

Technical Data Sheet

ASHRAE

Tc °C	Te °C	Cooling Capacity kCal/h	Consumption W	Current A	COP W/W	EER kCal/Wh
40	-25	260	265	2,22	1,14	0,98
40	-20	339	281	2,34	1,40	1,21
40	-15	434	298	2,46	1,70	1,46
40	-10	547	316	2,57	2,01	1,73
40	-5	677	336	2,68	2,34	2,01
40	0	824	357	2,78	2,68	2,31
40	5	987	380	2,87	3,03	2,60
40	7,2	1.065	390	2,90	3,18	2,73
40	10	1.168	404	2,93	3,37	2,90

45	-25	240	260	2,18	1,07	0,92
45	-20	310	281	2,34	1,28	1,10
45	-15	397	304	2,50	1,52	1,31
45	-10	501	327	2,64	1,78	1,53
45	-5	622	353	2,76	2,05	1,77
45	0	761	379	2,86	2,33	2,01
45	5	916	407	2,94	2,62	2,25
45	7,2	990	420	2,97	2,74	2,36
45	10	1.089	437	2,99	2,90	2,49

50	-25	220	255	2,14	1,00	0,86
50	-20	281	282	2,35	1,16	1,00
50	-15	360	309	2,53	1,35	1,16
50	-10	456	339	2,70	1,56	1,35
50	-5	568	369	2,83	1,79	1,54
50	0	698	401	2,93	2,02	1,74
50	5	845	435	2,99	2,26	1,94
50	7,2	915	450	3,00	2,36	2,03
50	10	1.009	470	3,00	2,50	2,15

55	-25	200	250	2,10	0,93	0,80
55	-20	253	282	2,35	1,04	0,90
55	-15	323	315	2,57	1,19	1,02
55	-10	410	350	2,75	1,36	1,17
55	-5	514	386	2,89	1,55	1,33
55	0	635	424	2,97	1,74	1,50
55	5	774	462	3,01	1,95	1,67
55	7,2	840	480	3,00	2,04	1,75
55	10	929	503	2,97	2,15	1,85

CECOMAF

Tc °C	Te °C	Cooling Capacity W	Consumption W	Current A	COP W/W	EER kCal/Wh
40	-25	284	266	2,23	1,07	0,92
40	-20	371	282	2,35	1,31	1,14
40	-15	476	299	2,47	1,59	1,37
40	-10	599	318	2,58	1,88	1,63
40	-5	741	338	2,69	2,19	1,89
40	0	901	359	2,79	2,51	2,17
40	5	1.079	382	2,87	2,82	2,44
40	7,2	1.163	393	2,91	2,96	2,56
40	10	1.275	406	2,94	3,14	2,71

45	-25	261	261	2,19	1,00	0,86
45	-20	338	283	2,36	1,20	1,03
45	-15	433	305	2,51	1,42	1,23
45	-10	546	329	2,65	1,66	1,43
45	-5	678	355	2,77	1,91	1,65
45	0	828	382	2,87	2,17	1,88
45	5	997	410	2,95	2,43	2,10
45	7,2	1.076	423	2,97	2,55	2,20
45	10	1.183	440	2,99	2,69	2,33

50	-25	238	256	2,15	0,93	0,80
50	-20	305	283	2,36	1,08	0,93
50	-15	390	311	2,54	1,25	1,08
50	-10	494	341	2,71	1,45	1,25
50	-5	616	372	2,84	1,66	1,43
50	0	756	404	2,94	1,87	1,62
50	5	914	438	2,99	2,09	1,80
50	7,2	990	453	3,00	2,18	1,89
50	10	1.091	473	3,00	2,31	1,99

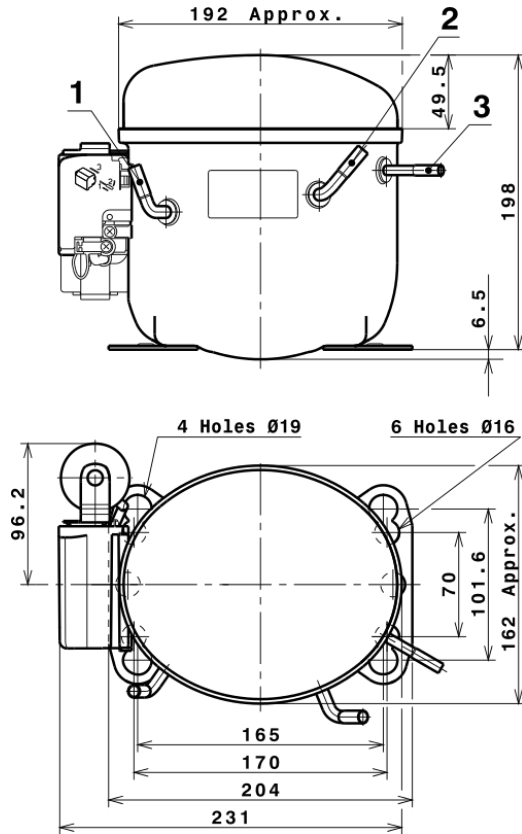
55	-25	215	251	2,11	0,86	0,74
55	-20	272	283	2,36	0,96	0,83
55	-15	348	317	2,58	1,10	0,95
55	-10	441	352	2,76	1,25	1,08
55	-5	553	388	2,89	1,42	1,23
55	0	684	426	2,98	1,60	1,39
55	5	832	466	3,01	1,79	1,54
55	7,2	903	483	3,00	1,87	1,62
55	10	999	506	2,97	1,97	1,71

EN12900

X	Cooling Capacity (W)	Consumption (W)	Current (A)	Mass Flow (kg/h)
1	1.498,6121037810	185,0513599826	3,1082325950	26,033853556118
2	50,3569587918	-4,3430933271	-0,0047202348	0,95870460456252
3	-14,8650418898	4,5974180374	-0,0024172546	-0,17372371826459
4	0,3684366442	0,0320158151	-0,0009831344	0,0098092890142325
5	-0,4084278155	0,2250296497	0,0002325181	-0,0046209966047478

Equation	$x_1 + x_2Te + x_3Tc + x_4Te^2 + x_5TeTc$
----------	---

COMPRESSOR DIMENSIONS



DESIGNATION INTERNAL DIAM.

DESIGNATION	INTERNAL DIAM.
1 Suction	8,1 mm
2 Service	8,1 mm
3 Discharge	6,5 mm

WIRING DIAGRAMS AND ELECTRICAL ASSEMBLY

CSIR CONNECTION (L, P ranges)



Technical Data Sheet

FIXINGS



SILENT BLOCKS (MOUNTING ACCESSORIES)

STANDARD

Ø16 holes (170x70 net)



AMERICAN FEET

Ø19 holes (165x101.6 net)



SNAP-ON

Ø16 holes (170x70 net)



SOA

SOA R22 HMBP

