

220-240V 50 1~**GENERAL DATA**

Application: MBP
Refrigerant: R404A
Evaporating Temperature Range: -20°C to 10°C
Compressor Cooling: Fan
Fan air flow: 520 m³/h
Type: Hermetic reciprocating
Technology Type: On-Off
Expansion Device: Capillary Tube or Expansion Valve
Packing Quantity: Multi - 36 pcs
Displacement: 22.4 cm³
Horse power: 1 hp

Approvals:    

MECHANICAL DATA

Bore: 36.99 mm
Stroke: 20.83 mm
Oil Charge: 450ml +/-15ml
Free Internal Volume: 3.3 cm³
Maximum Recommended Refrigerant Charge: 800 g
Oil Type Configuration: Polyolester
Oil Type Viscosity: ISO22
Compressor pressurization: Dry air charge
Weight: 18.2 kg

ELECTRICAL DATA

Motor Type: CSR
Starting Torque: HST
Voltage working range at 50 Hz: 198-254 V
Maximum Motor Temperature: 130 °C
Start Winding Resistance: 8.31 Ω (± 10%) at 25°C
Run Winding Resistance: 1.63 Ω (± 10%) at 25°C

MOUNTING ACCESSORIES

	Description	Code
Terminal Board:	no	-
Anchorage:	no	-
Overload Protector Bracket:	no	-
Capacitor Bracket:	no	-
Grommets:	yes	2221004
Sleeves:	yes	2222016
Washer:	no	-
Pin:	no	-
Clip:	no	-
Rotolock valve:	no	-
Cover:	yes	2075288

ELECTRICAL COMPONENTS

	Component type	Description	Code
Starting Device:	Potential relay	RVA403C-123	1253023
Run Capacitor:		20 MFD	2253312
Start Capacitor:		130-156 MFD 250V	2252329
Motor Protection:	External 3/4"	T0828/C9	2289018
CSR / CSIR Box:	yes		1262248

EXTERNAL CHARACTERISTICS

Base Plate: Universal
Tray Holder: No
Height: 234 mm

	Internal Diameter (mm)	Material	Shape
Suction Connector	9.6	Copper	Vertical
Discharge Connector	6.42	Copper	Vertical
Process Connector	6.42	Copper	Vertical



RATED POINT DATA

Cooling Capacity (W)	Power Consumption (W)	Current Consumption (A)	Gas Flow Rate (kg/h)	Efficiency (W/W)
±5%	±5%	±5%	±5%	±7%
1 755	980	4.78	52.72	1.79

Test condition: EN 12900, Fan, Return Gas 20°C, Subcooling OK, Evaporating: -10°C, Condensing: 45°C, Ambient: 35°C

PERFORMANCE CURVE DATA**220V 50Hz**

Condensing Temperature (°C)	Evaporating Temperature (°C)	Cooling Capacity (W)	Power Consumption (W)	Current Consumption (A)	Gas Flow Rate (kg/h)	Efficiency (W/W)
		±5%	±5%	±5%	±5%	±7%
35°C	10	4 410	1 181	5.69	122.69	3.74
	5	3 739	1 106	5.35	102.35	3.38
	0	3 133	1 035	5.03	84.52	3.03
	-5	2 592	966	4.72	69.05	2.68
	-10	2 117	898	4.42	55.78	2.36
	-15	1 706	831	4.12	44.58	2.05
	-20	1 361	764	3.83	35.28	1.78

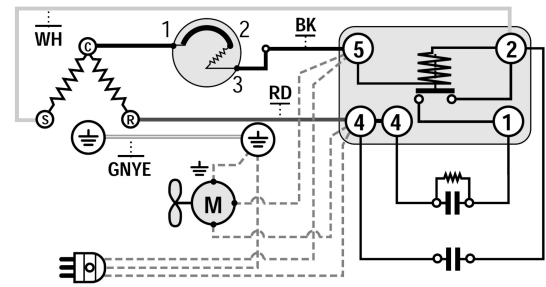
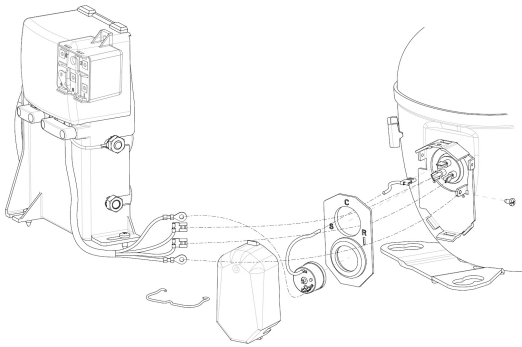
Condensing Temperature (°C)	Evaporating Temperature (°C)	Cooling Capacity (W)	Power Consumption (W)	Current Consumption (A)	Gas Flow Rate (kg/h)	Efficiency (W/W)
		±5%	±5%	±5%	±5%	±7%
45°C	10	3 683	1 300	6.23	117.52	2.83
	5	3 121	1 218	5.86	97.81	2.56
	0	2 612	1 138	5.49	80.54	2.30
	-5	2 157	1 059	5.13	65.56	2.04
	-10	1 755	980	4.78	52.72	1.79
	-15	1 408	901	4.43	41.86	1.56
	-20	1 114	821	4.08	32.83	1.36

Condensing Temperature (°C)	Evaporating Temperature (°C)	Cooling Capacity (W)	Power Consumption (W)	Current Consumption (A)	Gas Flow Rate (kg/h)	Efficiency (W/W)
		±5%	±5%	±5%	±5%	±7%
55°C	10	2 974	1 435	6.88	112.98	2.07
	5	2 522	1 342	6.44	93.94	1.88
	0	2 113	1 249	6.01	77.26	1.69
	-5	1 746	1 156	5.58	62.80	1.51
	-10	1 422	1 062	5.16	50.41	1.34

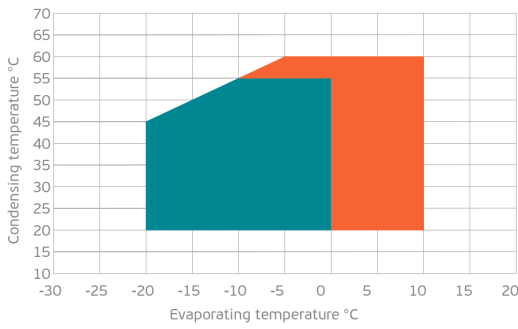
Test condition: EN 12900, Fan, Return Gas 20°C, Subcooling OK, Ambient: 35°C

ASSEMBLY INSTRUCTION

WIRING DIAGRAM

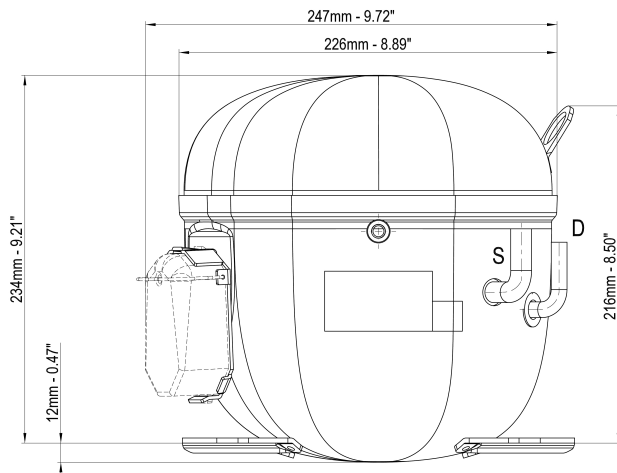


OPERATING ENVELOPE



- Operating Condition
- Transient Condition
- Superheating

NOTE: usage of compressors outside of intended working range cannot make use of the warranty, or should be consulted with Technical support.



	∅ mm	∅ in	Material
S - Suction	9.60	0.37	Cu
P - Process	6.42	0.25	Cu
D - Discharge	6.42	0.25	Cu

