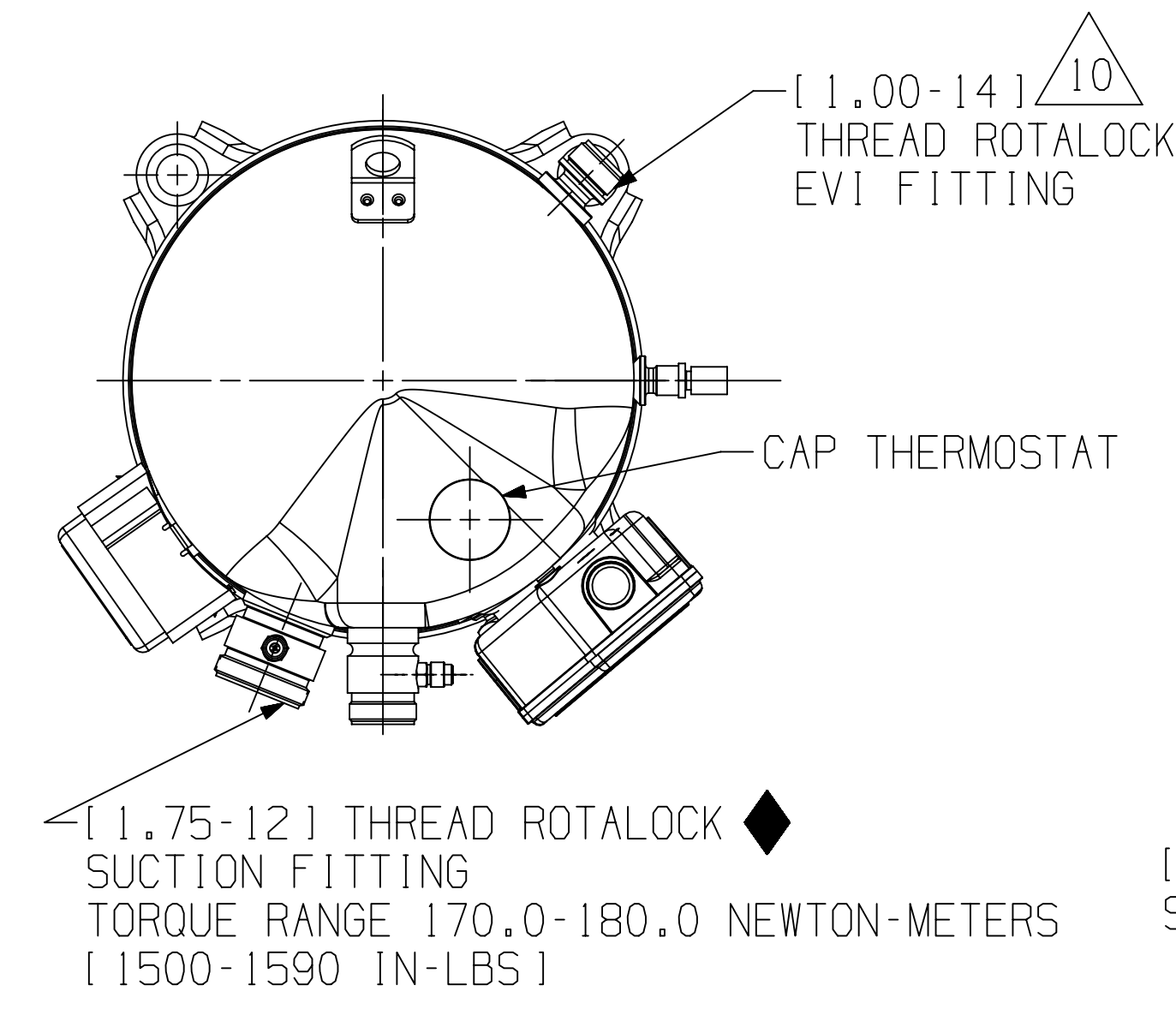
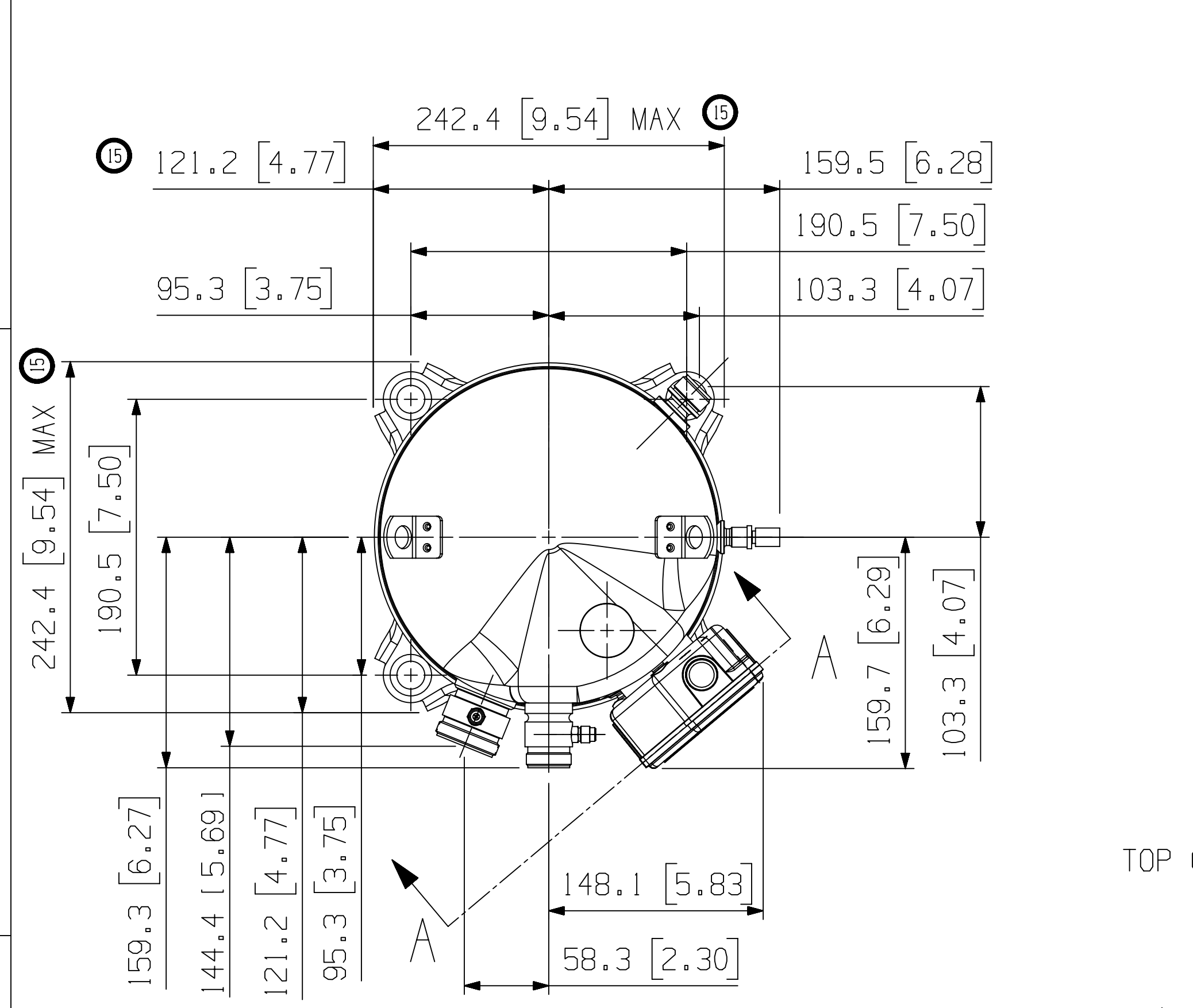
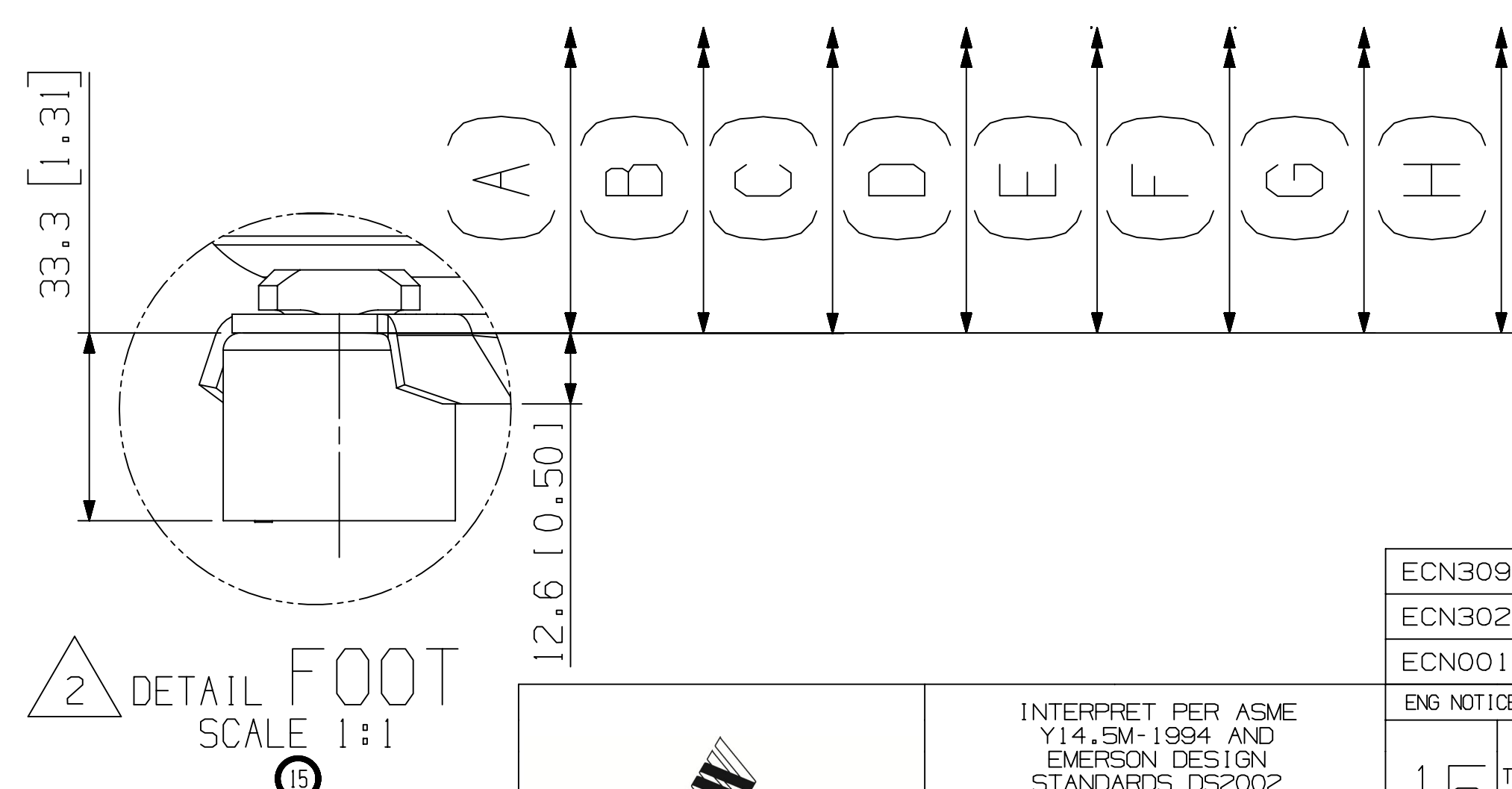
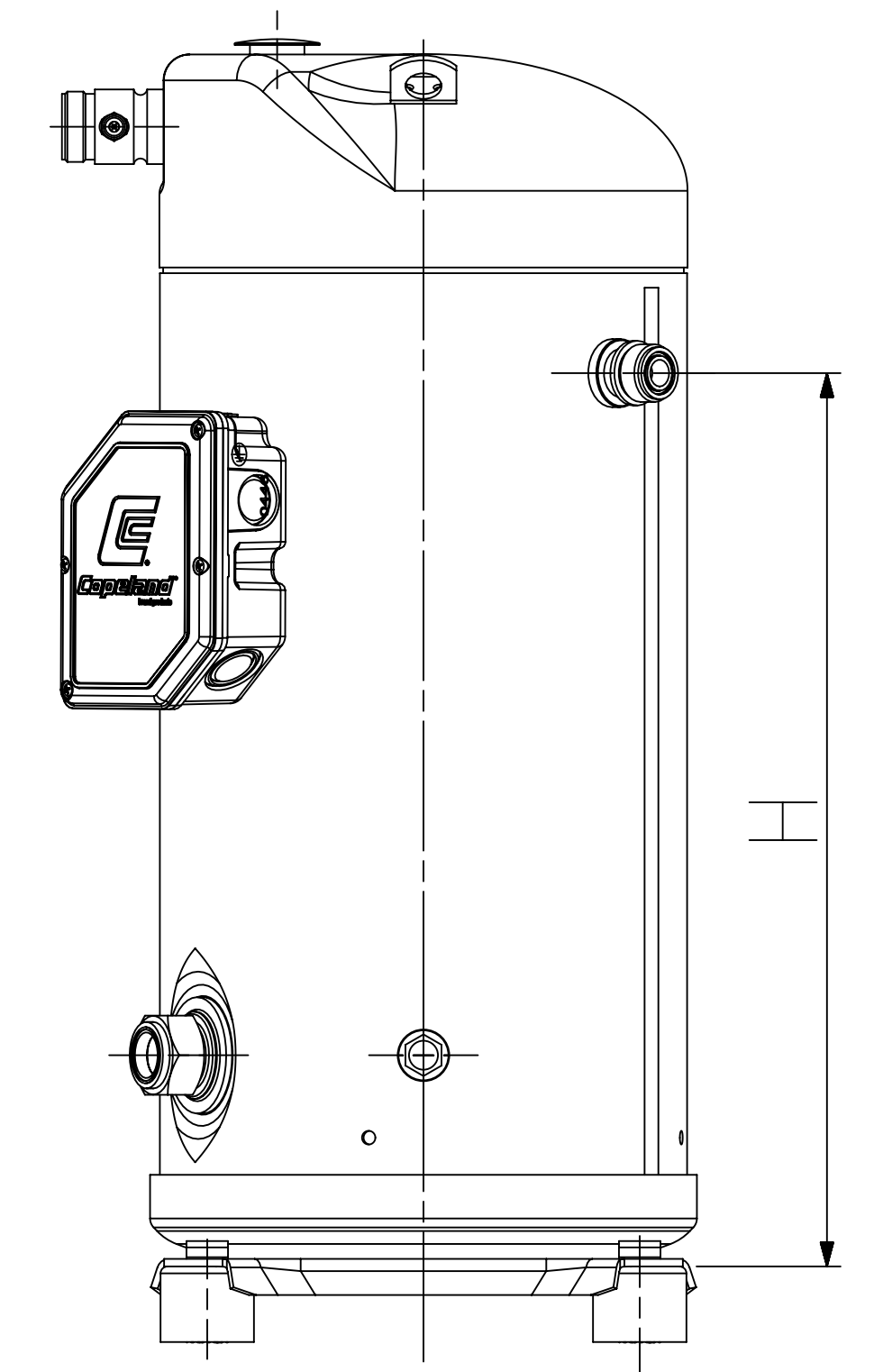
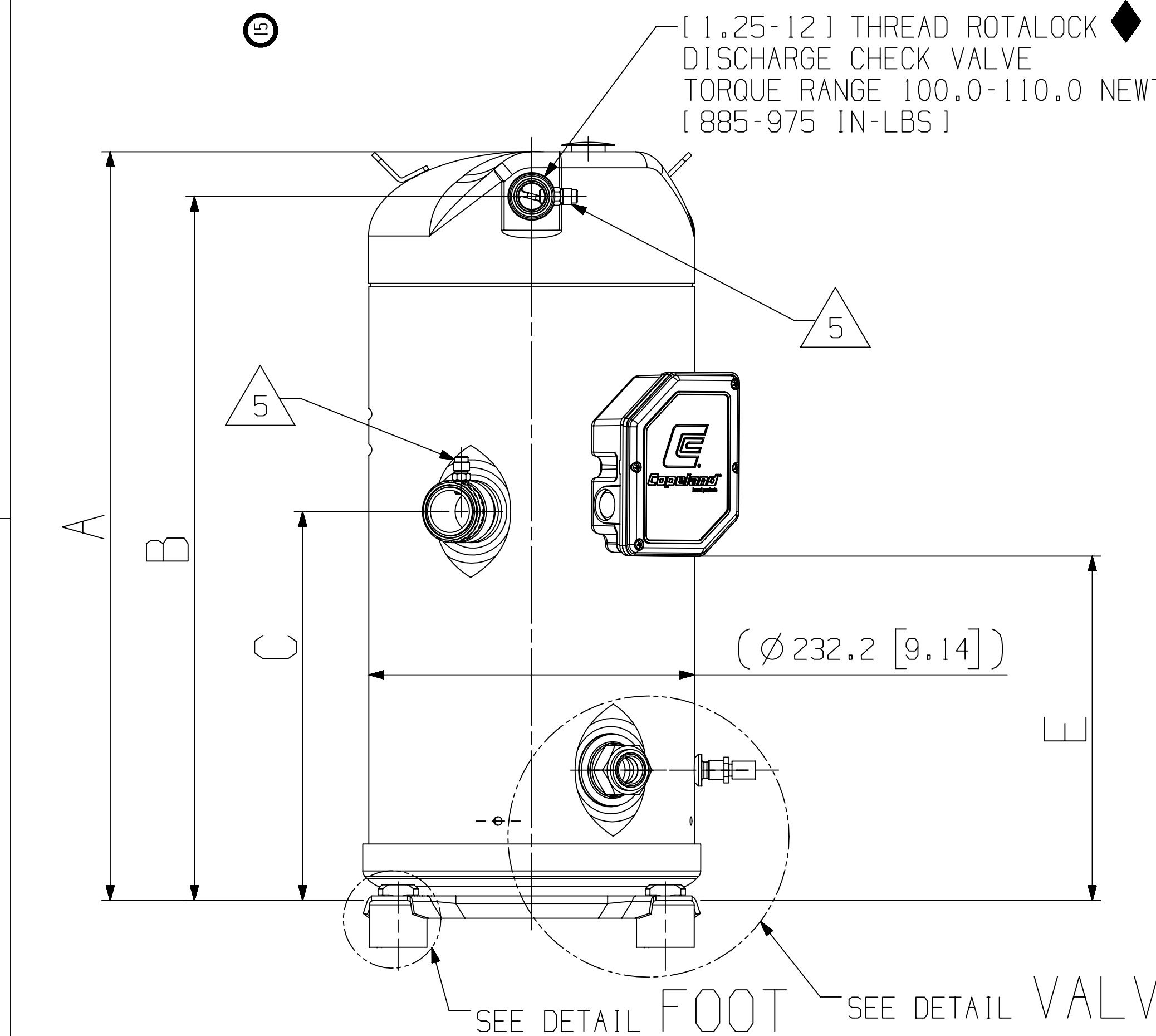
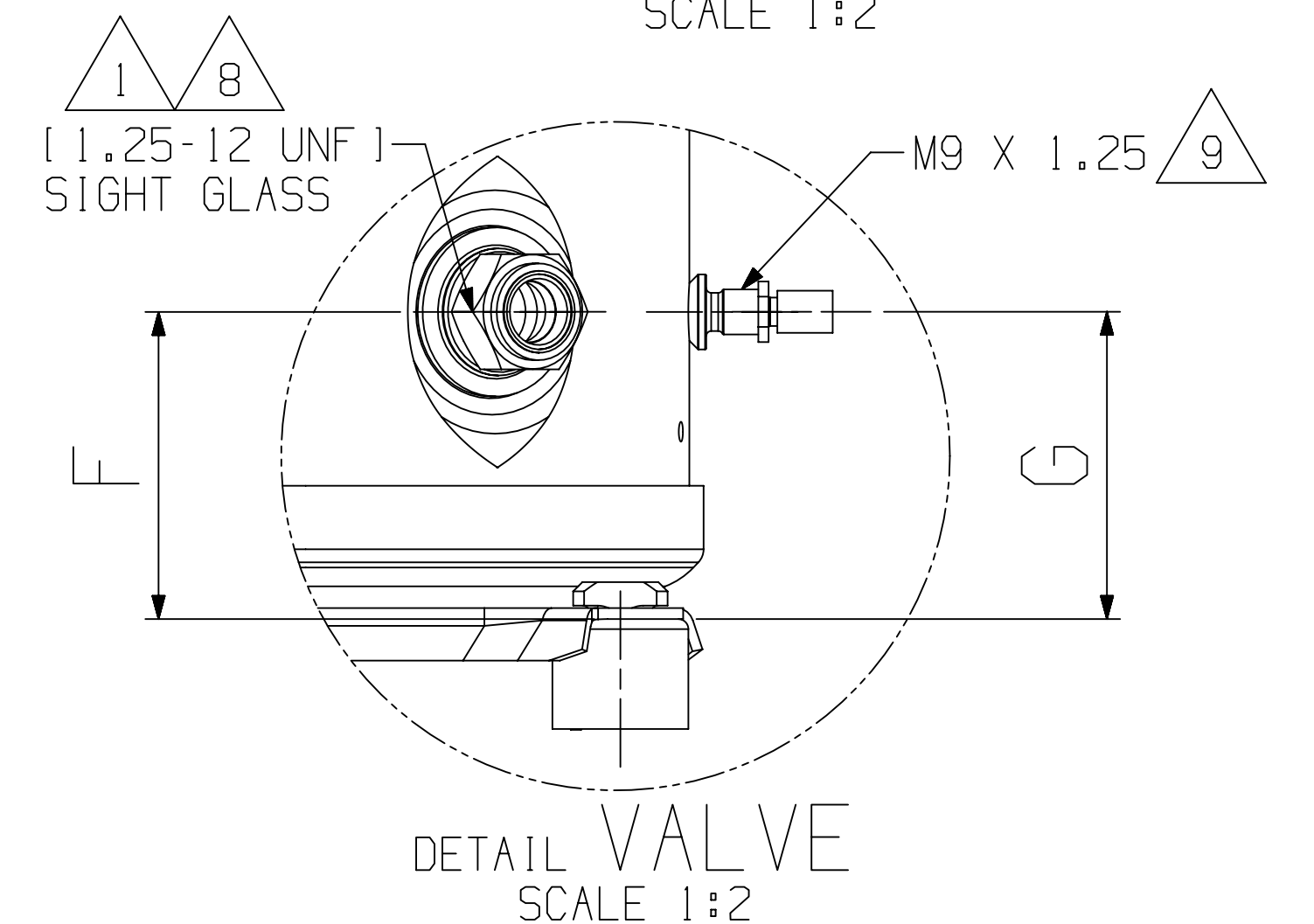
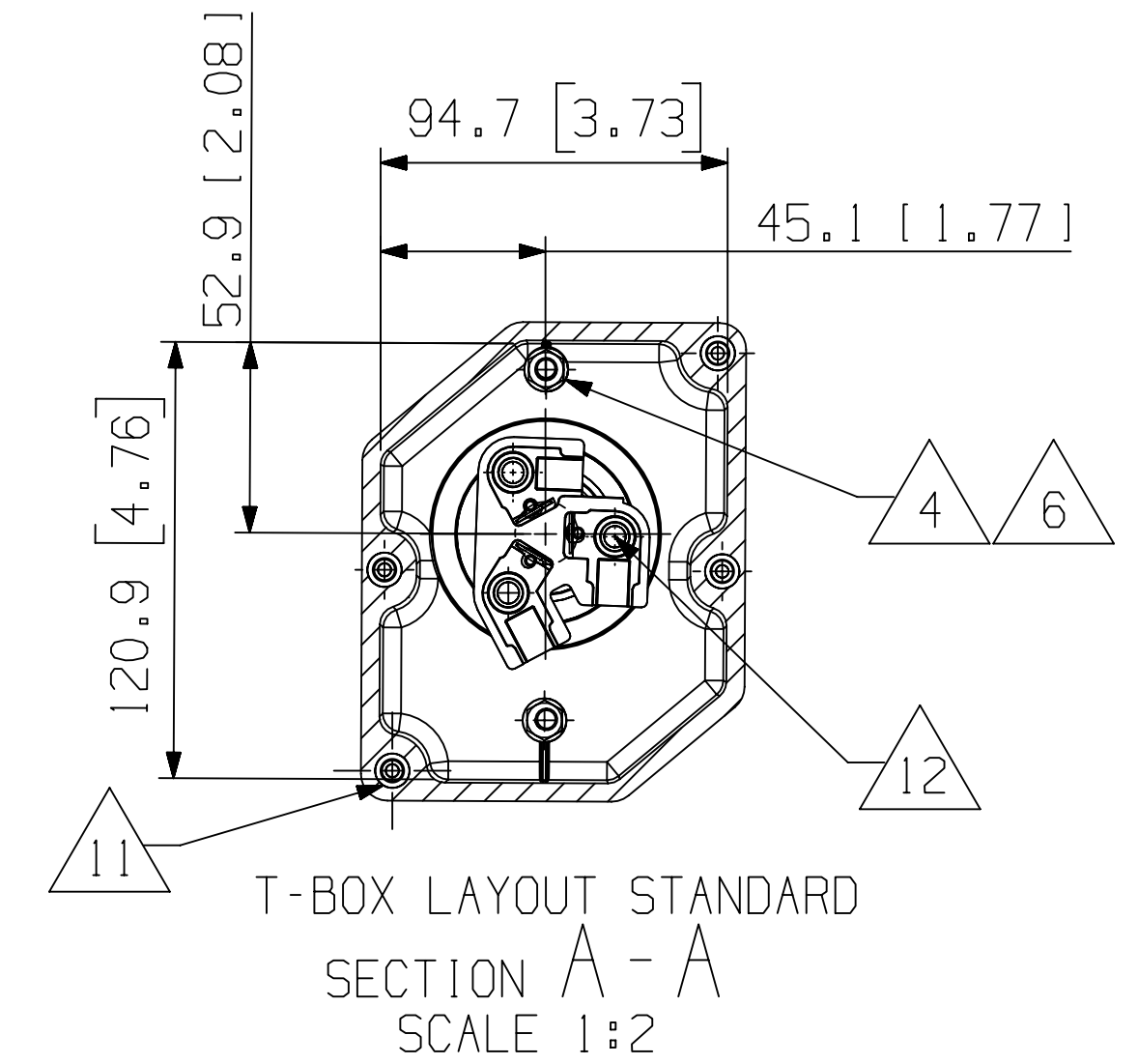


PART NO.	MODEL NUMBER	A	B	C	D	E	F	G	H	SHEET
497-0910-01	ZF34/41K5E	533.60 [21.00]	501.8 [19.75]	277.30 [10.91]	OMIT	245.7 [9.67]	93.0 [3.66]	93.0 [3.66]	393.3 [15.49]	SHEET 1
497-0910-03	ZFD41K5E	533.60 [21.00]	501.8 [19.75]	277.30 [10.91]	253.7 [9.99]	245.7 [9.67]	93.0 [3.66]	93.0 [3.66]	393.3 [15.49]	SHEET 1,2
497-0910-04	ZF49/54K5E	551.50 [21.71]	519.5 [20.45]	295.00 [11.61]	OMIT	263.6 [10.37]	92.6 [3.64]	92.6 [3.64]	441.0 [16.18]	SHEET 1

SPECIFICATIONS	
ES NO.	DESCRIPTION
ES92-155	CONVERSION-METRIC

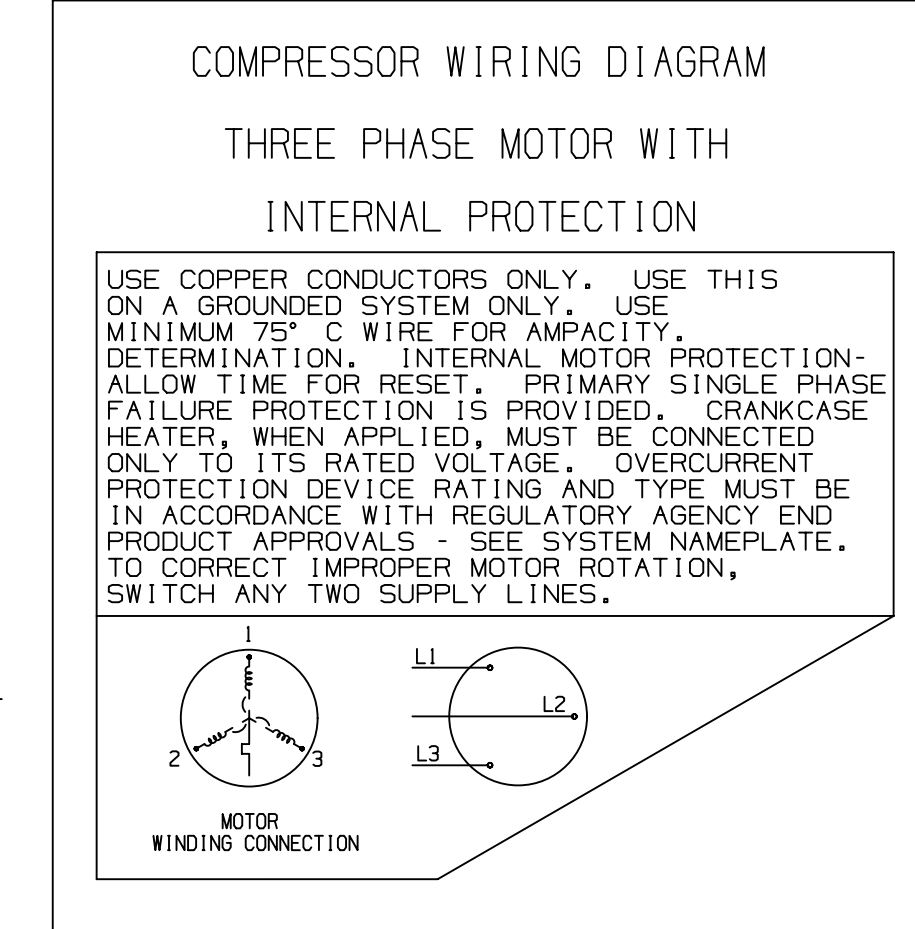


TOP CAP VIEW SHOWN FOR ZFD MODELS ONLY



NOTES:

- 1 ALL TOLERANCES ± 1.5 [0.06] UNLESS OTHERWISE SPECIFIED. DUE TO ACCUMULATED ASSEMBLY TOLERANCES THE LISTED COMPONENTS MAY VARY FROM THE MOUNTING HOLES AS TABULATED.
- 2 SUCTION FITTING: ± 3.0 [0.12]
- 3 DISCHARGE FITTING: ± 3.0 [0.12]
- 4 MOUNTING KIT: 527-0210-00
- 5 TUBE ENDS MUST BE PLUGGED.
- 6 GROUNDING NUT.
- 7 TORQUE 23-25 NM [200-220 IN-LBS]
- 8 TORQUE 3.6-4.4 NM [32-39 IN-LBS]
- 9 TORQUE 2.5-3.1 NM [22.5-27.5 IN-LBS]
- 10 TORQUE 45.5-53.6 NM [405-475 IN-LBS]
- 11 TORQUE 4.5-6.8 NM [40-60 IN-LBS]
- 12 TORQUE 67.8-78.0 NM [600-690 IN-LBS]
- 13 TORQUE 1.0-1.2 NM [9-11 IN-LBS]
- 14 TORQUE 1.4-1.7 NM [12-15 IN-LBS]



ECN	REV.	DESCRIPTION	DATE	BY	CHKD
ECN309725	15	DIMENSIONS UPDATED	12-26-18	SVR	AMN
ECN302729	14	REDRAWN & REMOVED SHEET 3	07-27-17	KVB	VC
ECN001479	0	RELEASED	12-04-09	AMN	DC

ENG NOTICE NO.	REV.	REVISIONS	DATE	BY	CHKD
15		CONFIDENTIALITY NOTICE			
THIS DRAWING AND INFORMATION CONTAINED HEREIN ARE THE EXCLUSIVE PROPERTY OF EMERSON CLIMATE TECHNOLOGIES, INC AND/OR ITS AFFILIATES (COLLECTIVELY "EMERSON") AND SHALL BE RETURNED UPON DEMAND AND SHALL NOT BE REPRODUCED IN WHOLE OR IN PART, DISCLOSED TO ANYONE ELSE OR USED, WITHOUT THE WRITTEN CONSENT OF EMERSON.					
MATERIAL SPECIFICATION		DRAWN BY	SUPERSEDES DWG NO / REV NO		
N/A		KVB	497-0910-00 / 013		
DATE		SCALE	DATE FORMAT:		
07-27-17		1:1	MM-DD-YY		
TITLE			DRAWING NUMBER	SHEET 1 OF 2	DWG
REF DWG-WELD COMP ASSM			497-0910-00	4	SIZE

EMERSON
Copeland

INTERPRET PER ASME Y14.5M-1994 AND EMERSON DESIGN STANDARDS DS2002

DO NOT SCALE DRAWING

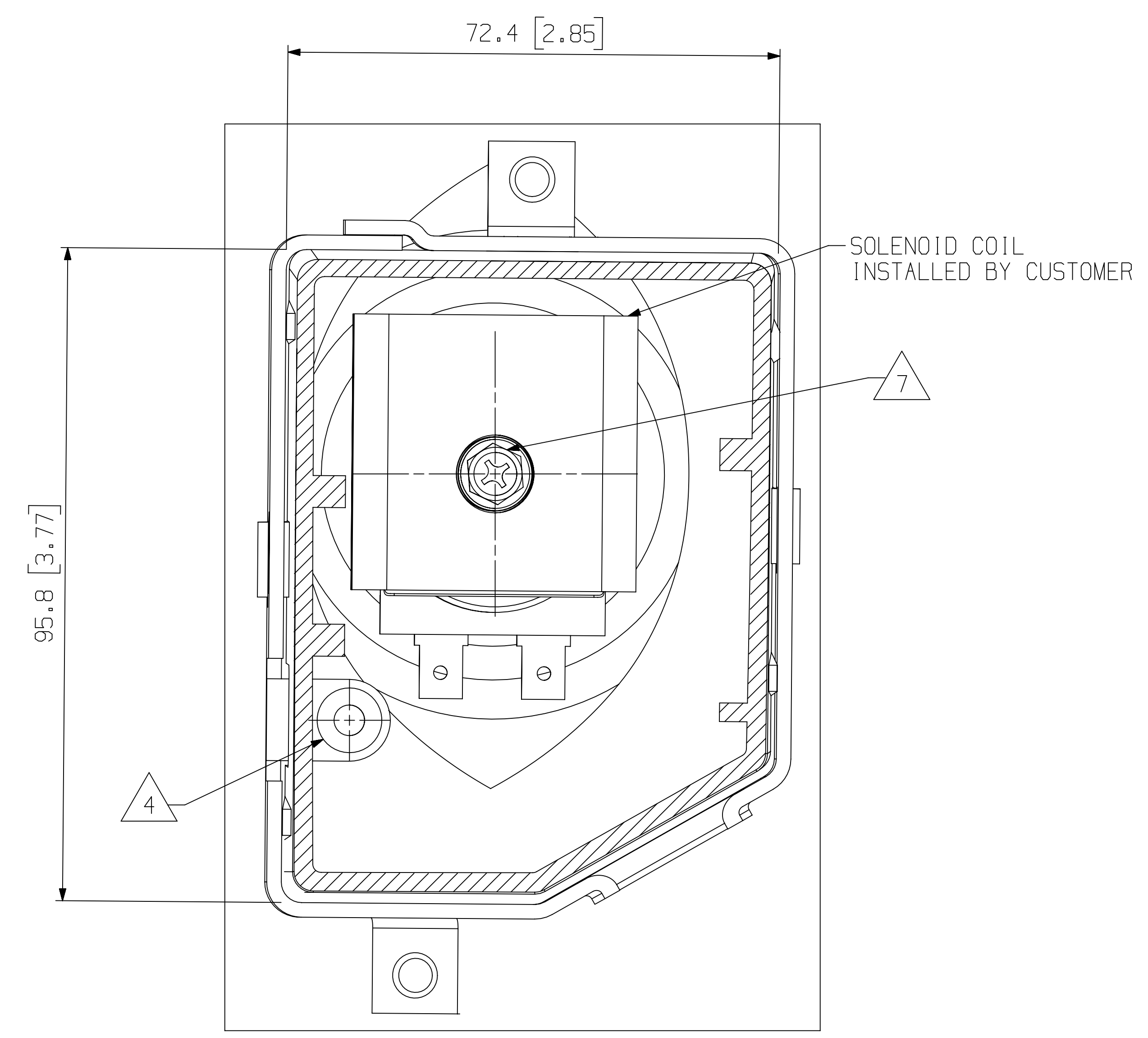
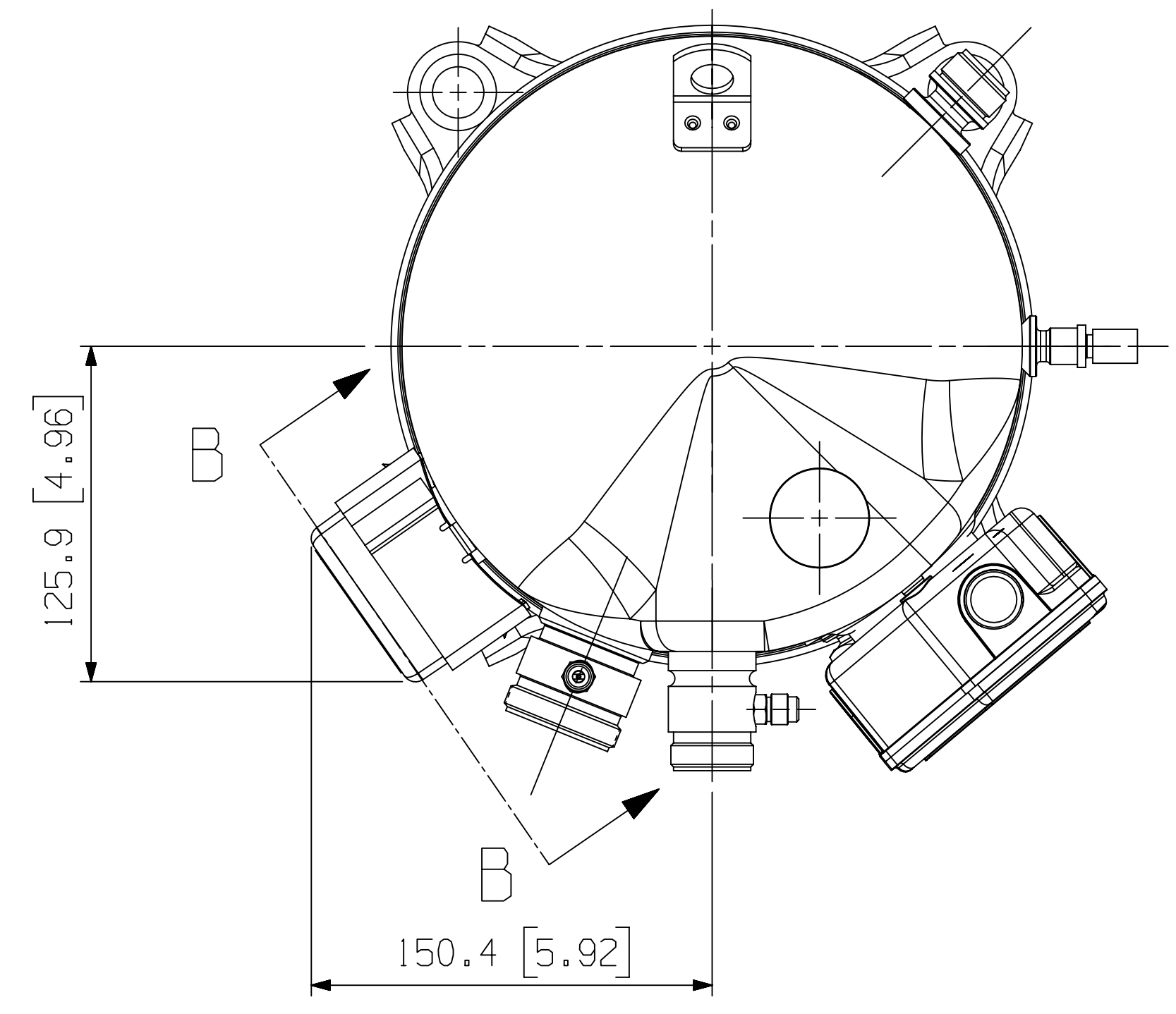
CRITICAL PRODUCT CHARACTERISTICS

UNLESS OTHERWISE SPECIFIED DIMENSIONS ARE MILLIMETER OR (INCH)

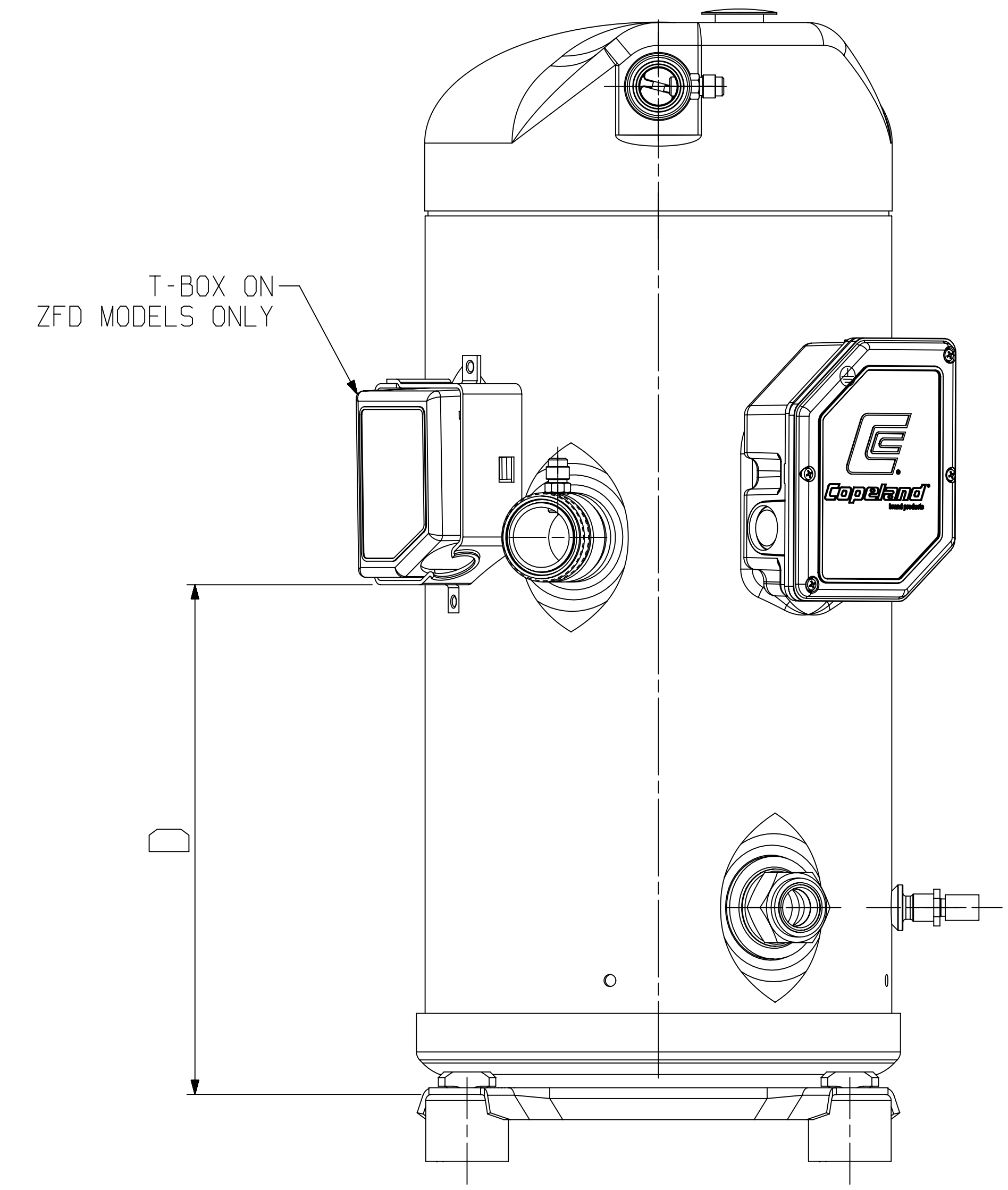
TOLERANCES:
1-PLACE +
2-PLACE +
ANGULAR ±

1

PART NO.
497-0910-03



SOLENOID VALVE T-BOX
SECTION B-B
SCALE 2:1



EMERSON
Copeland

INTERPRET PER ASME
Y14.5M-1994 AND
EMERSON DESIGN
STANDARDS DS2002

DO NOT SCALE DRAWING

CRITICAL PRODUCT CHARACTERISTICS

UNLESS OTHERWISE SPECIFIED
DIMENSIONS ARE MILLIMETER OR (INCH)

TOLERANCES:
1-PLACE +
2-PLACE +
ANGULAR ±

1

ECN309725	15	SEE SHEET 1	12-26-18	SVR	AMN
ECN302729	14	REDRAWN & REMOVED SHEET 3	07-27-17	KVB	VC
ECN001479	0	RELEASED	12-04-09	AMN	DC
ENG NOTICE NO.	REV. NO.	REVISIONS	DATE	BY	CHKD
15		CONFIDENTIALITY NOTICE			
THIS DRAWING AND INFORMATION CONTAINED HEREIN ARE THE EXCLUSIVE PROPERTY OF EMERSON CLIMATE TECHNOLOGIES, INC AND/OR ITS AFFILIATES (COLLECTIVELY "EMERSON") AND SHALL BE RETURNED UPON DEMAND AND SHALL NOT BE REPRODUCED IN WHOLE OR IN PART, DISCLOSED TO ANYONE ELSE OR USED, WITHOUT THE WRITTEN CONSENT OF EMERSON.					
MATERIAL SPECIFICATION		DRAWN BY	SUPERSEDES DWG NO / REV NO		
N/A		KVB	497-0910-00 / 013		
		DATE	SCALE	DATE FORMAT:	
		07-27-17	1:1	MM-DD-YY	
TITLE			DRAWING NUMBER	SHEET 2 OF 2 DWG	
REF DWG-WELD COMP ASSM			497-0910-00	4	
			SIZE		