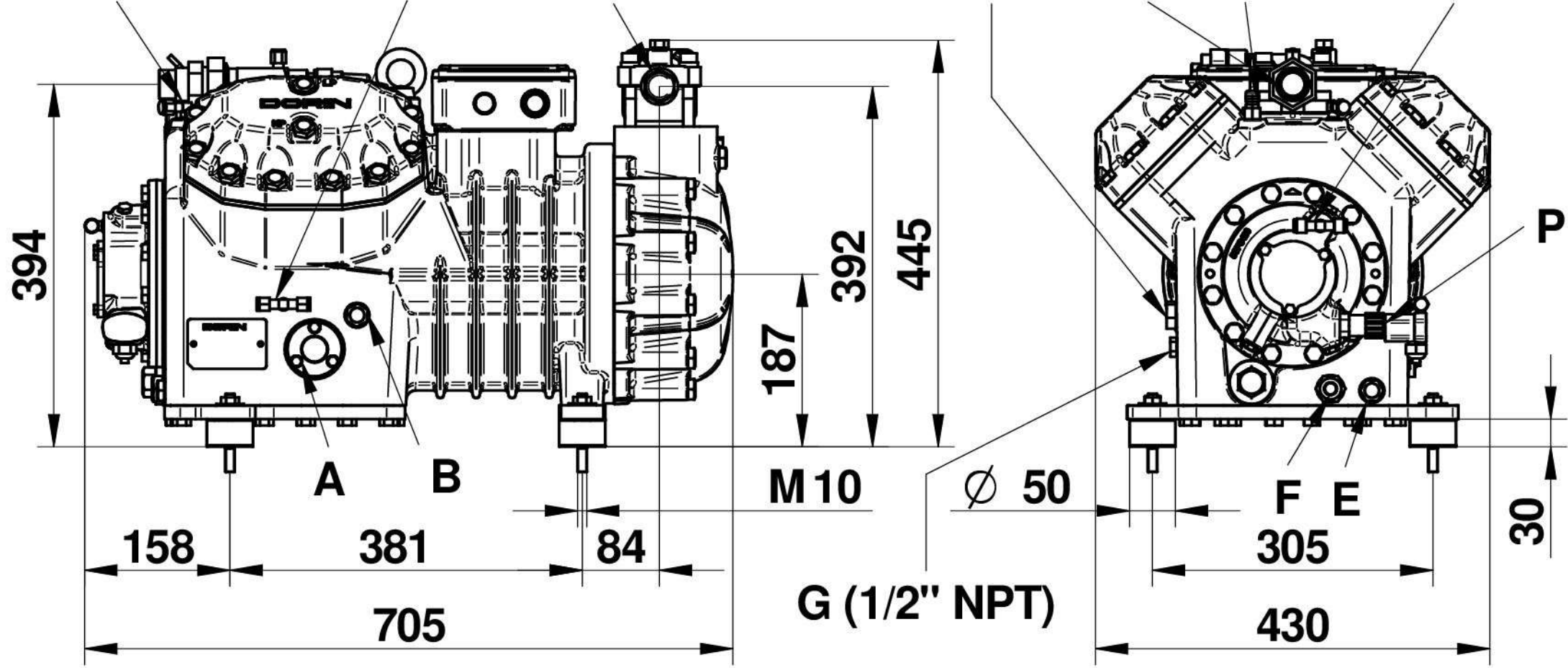


**D (1/8" NPT) C (1/8" NPT) SL Q (3/4" NPT) DL M H (1/8" NPT)**



**G (1/2" NPT)**

H51 27-5-15