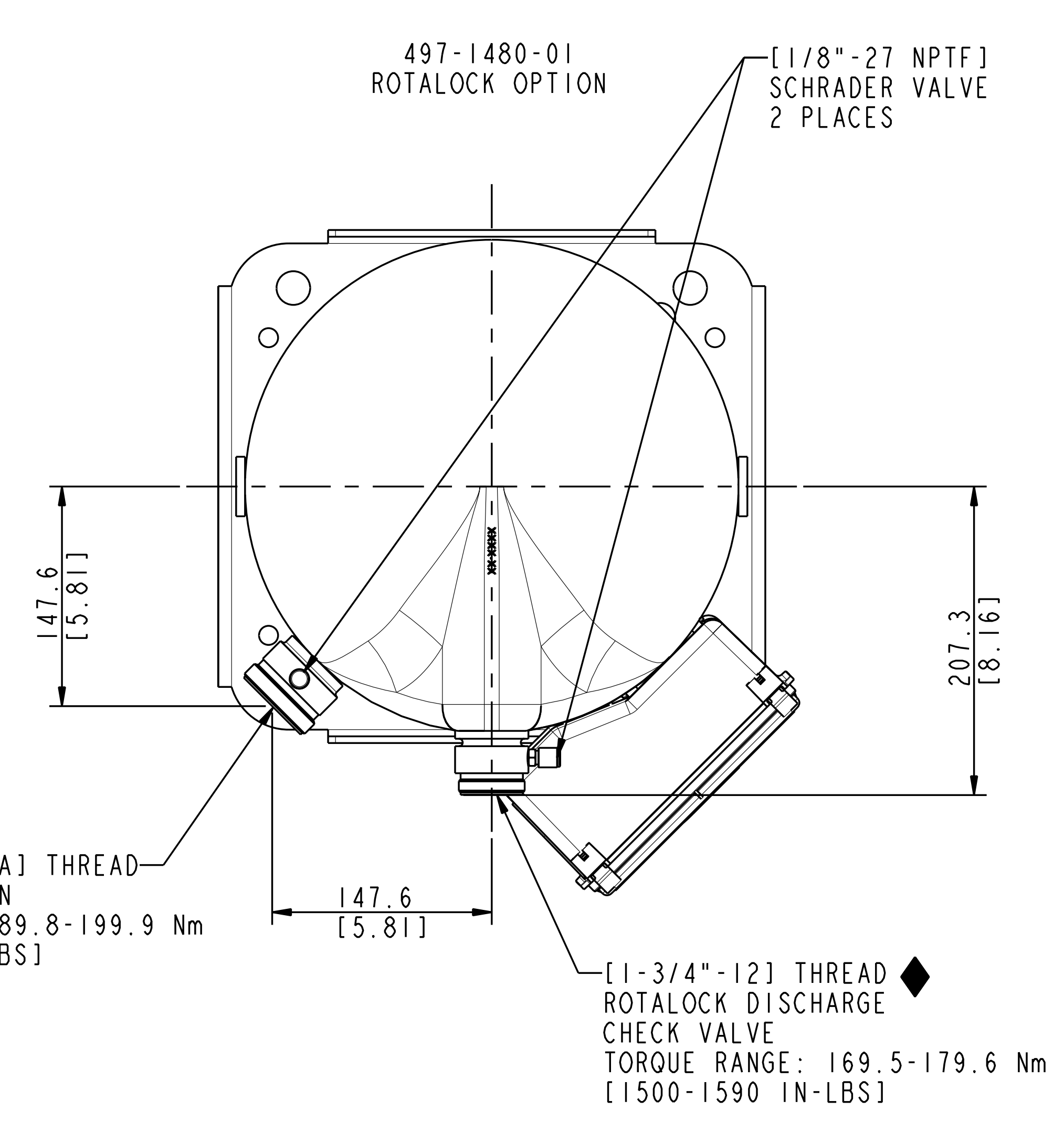
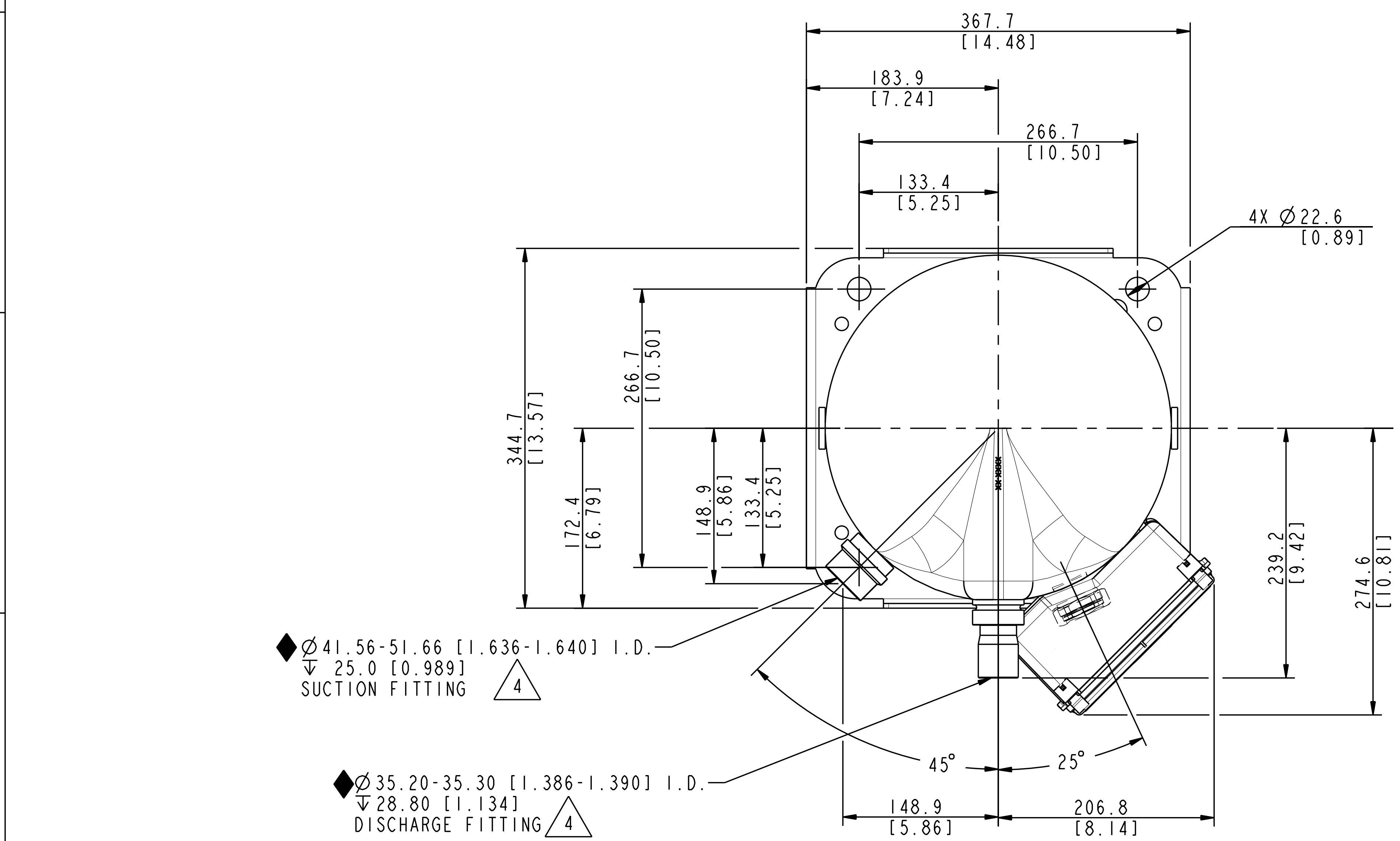


PART NUMBER	MODEL NUMBER	CUSTOMER CONNECTIONS
497-1480-00	ZP295KCE	BRAZED
	ZR310KC/KCE	
	ZP385KCE	
	ZR380KC/KCE	
497-1480-01	ZP295KCE	ROVALOCK
	ZR310KC/KCE	
	ZP385KCE	
	ZR380KC/KCE	

SPECIFICATIONS	
ES NO.	DESCRIPTION
ES92-155	CONVERSION-METRIC
ES81-340	TORQUE SPEC



NOTES:

1. ALL TOLERANCES ± 1.50 [0.060] UNLESS OTHERWISE SPECIFIED.

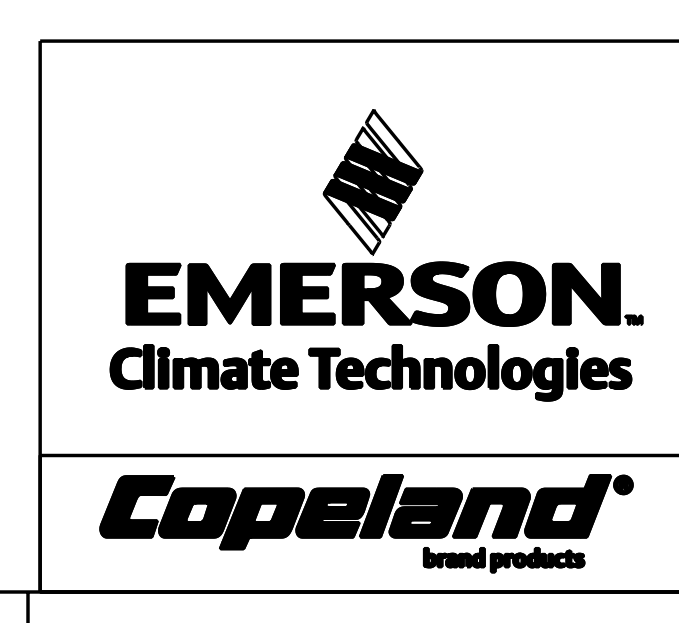
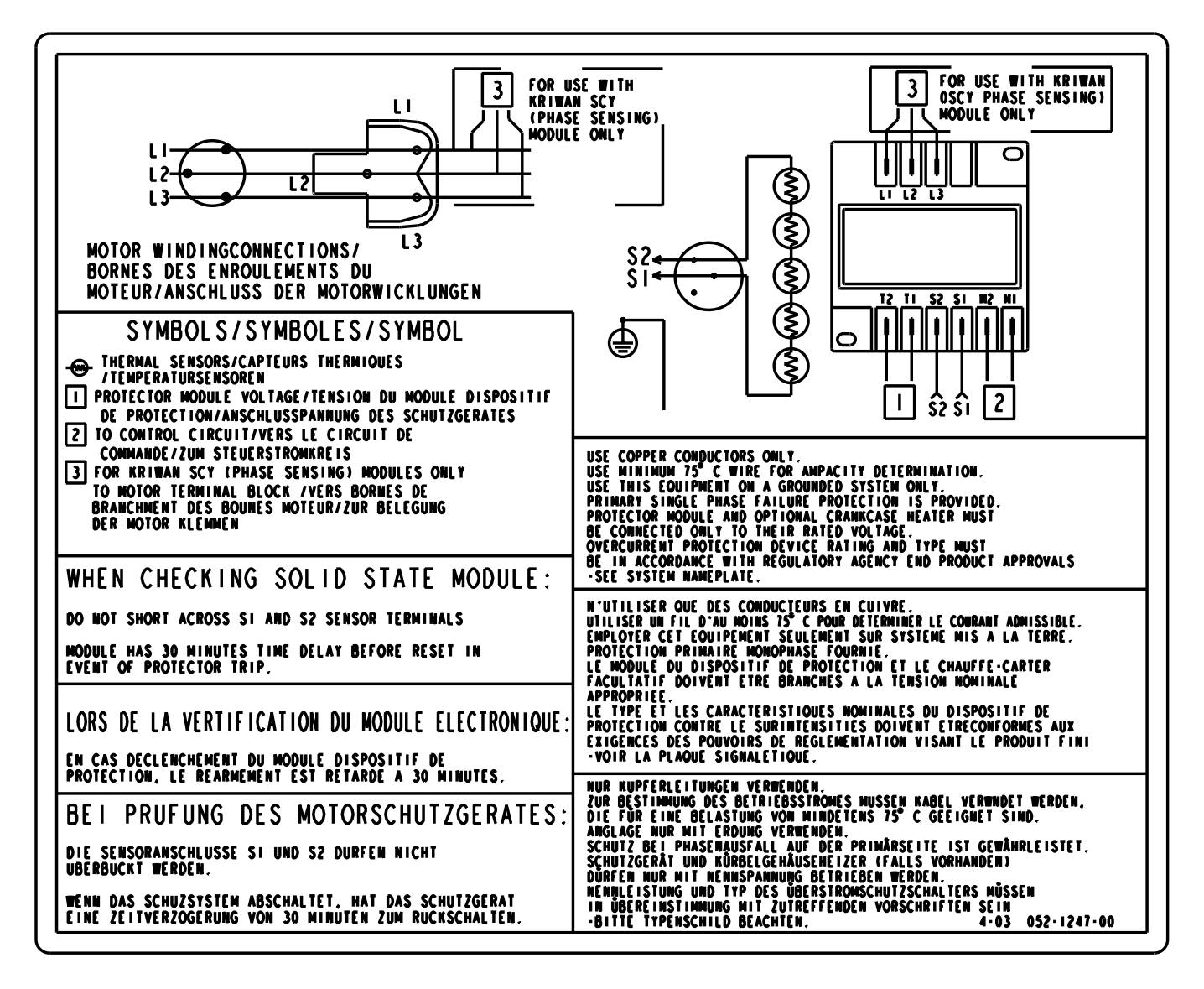
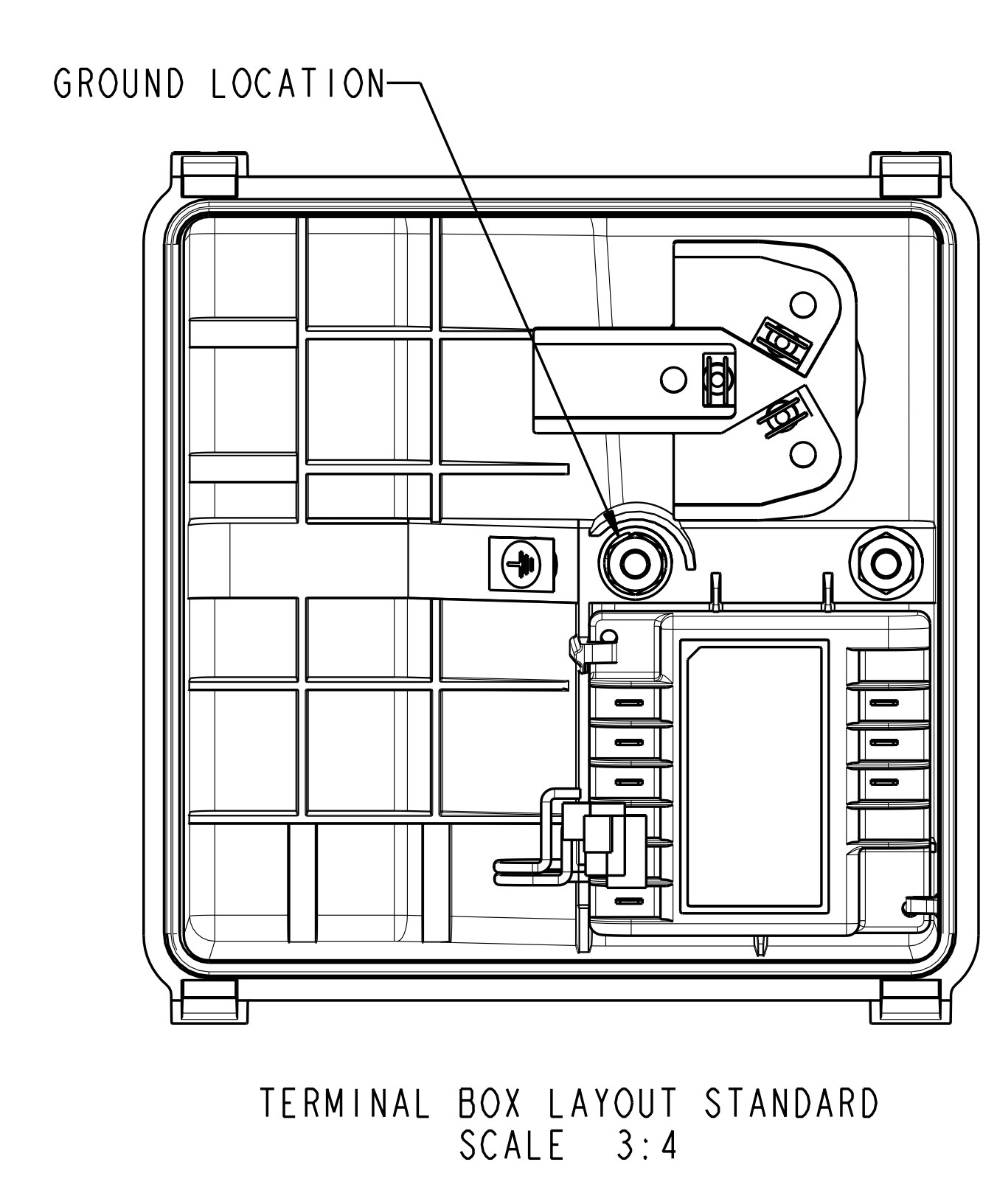
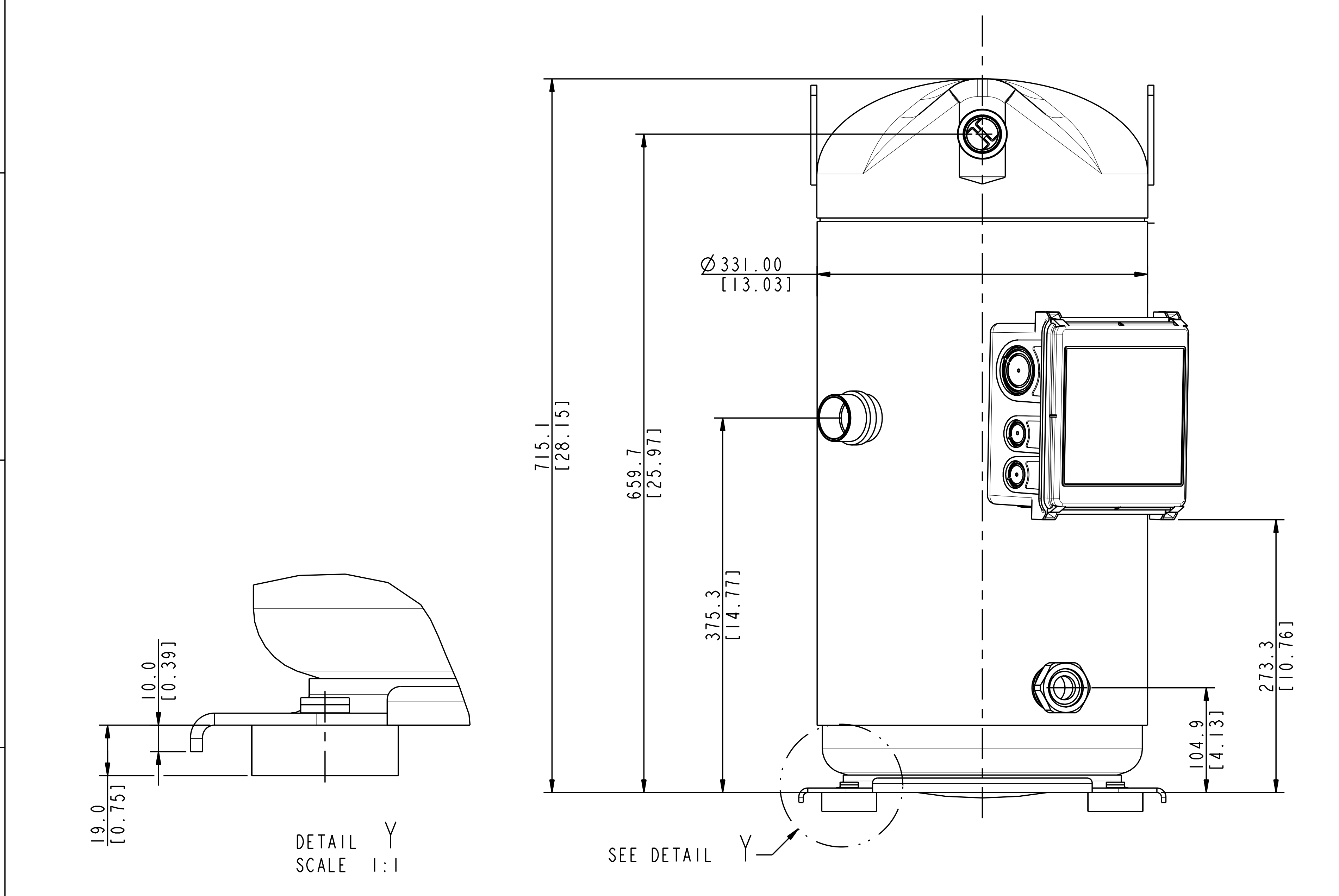
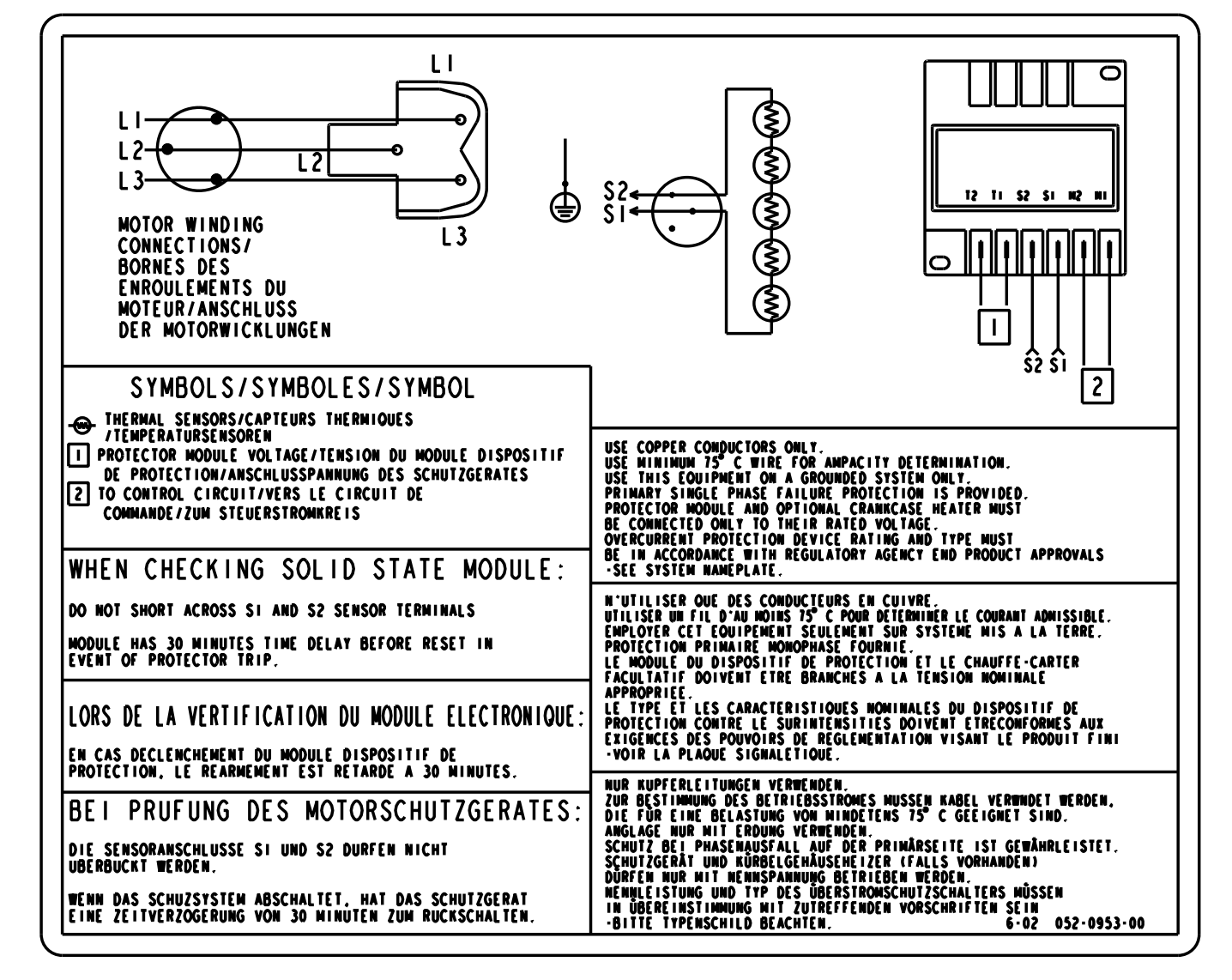
DUE TO ACCUMULATED ASSEMBLY TOLERANCES THE LISTED COMPONENTS MAY VARY FROM THE MOUNTING HOLES AS SHOWN BELOW:

◆ ALL FITTINGS : ± 3.0 [0.12]

2. MOUNTING KIT: 527-0175-02

3. TUBE ENDS MUST BE PLUGGED.

4. 0.05 [0.002] MIN. THICK INTERIOR & EXTERIOR COPPER PLATED STEEL FITTING.



INTERPRET PER ASME Y14.5M-1994 AND EMERSON CLIMATE TECHNOLOGIES, INC. DESIGN STANDARDS DS2002 DO NOT SCALE DRAWING

CRITICAL PRODUCT CHARACTERISTIC

UNLESS OTHERWISE SPECIFIED DIMENSIONS ARE MILLIMETER OR (INCH)

TOLERANCES:
 1-PLACE \pm
 2-PLACE \pm
 ANGULAR $\pm 0.5^\circ$

ECNO06301	1	ADDED ZP385KCE & ZR380KC/KCE	05-15-13	AZ	WH	WS
ECNO06299	0	RELEASED	03-13-13	AZ	AH	WS
ENG NOTICE NO.	REV. NO.	REVISIONS	DATE	BT	CHKD	APPR
22		THIS DRAWING AND INFORMATION CONTAINED HEREIN ARE THE EXCLUSIVE PROPERTY OF EMERSON CLIMATE TECHNOLOGIES, INC. AND SHALL BE RETURNED UPON DEMAND AND SHALL NOT BE REPRODUCED IN WHOLE OR IN PART DISCLOSED TO ANYONE ELSE OR USED, WITHOUT THE WRITTEN CONSENT OF EMERSON CLIMATE TECHNOLOGIES, INC.				
MATERIAL SPECIFICATION		DRAWN BY		SUPERSEDES DWG. NO. / REV. NO.		
N/A		AZ		497-0997-00 / 003		
		DATE		SCALE		
		03-13-13		1:4		
TITLE		DRAWING NUMBER		SHEET 1 OF 1		
REF DWG- WELD COMP ASSM		497-1480-00		5		