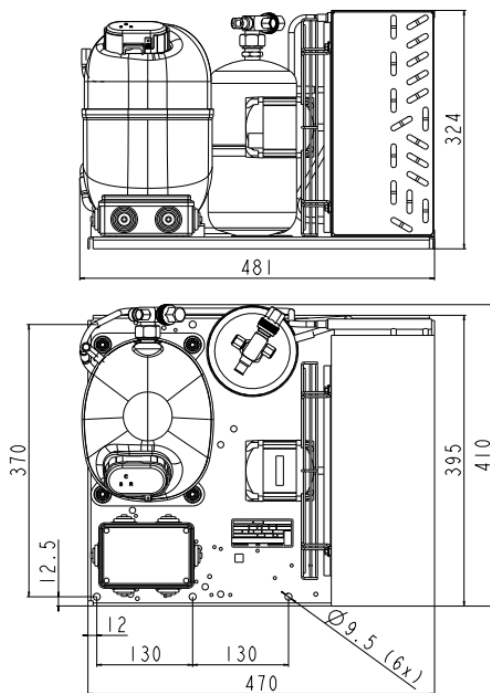


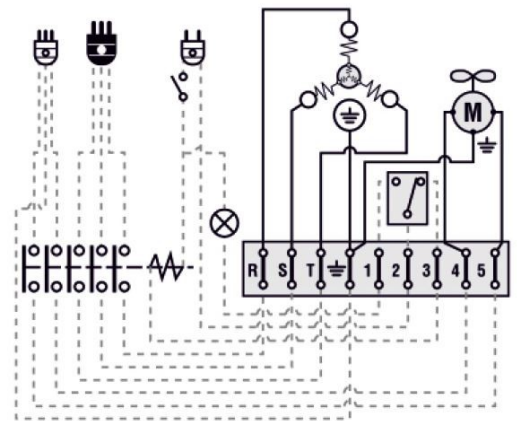
GENERAL DATA

Application:	M/HBP
Refrigerant:	R134a
Expansion Device:	C-V
Weight:	35.4 kg
Receiver:	2.3 liter
Voltage/Frequency:	380 - 420 V 50 ~
Height:	35.4 mm
Length:	481 mm
Width:	410 mm
Institute Approvals:	CE

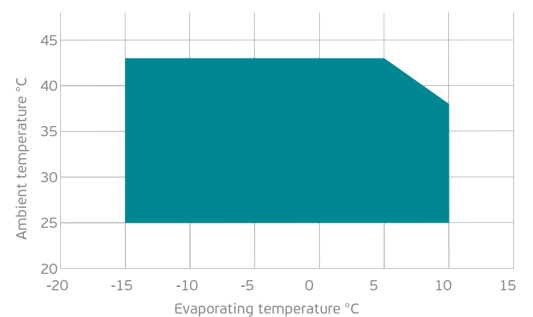
EXTERNAL DIMENSIONS



WIRING DIAGRAM



OPERATING ENVELOPE



COMPONENTS (SPARE PARTS)

condenser:	3R12T	2451140
valve_disch:	SOLDER 3/8"	2110049
compressor:	NJ6220ZX	148HM19..AC

condenser:	3R12T	2451140
valve_disch:	SOLDER 3/8"	2110049
compressor:	NJ6220ZX	148HM19..AC

For additional accessories please contact our technical support

ELECTRICAL DATA

Motor Type: 3PH -
Locked Rotor Amperage (LRA): 10.5 A
Max.Current: 2.28 A

At maximum evaporating temperature and maximum ambient temperature.

FAN MOTOR

Number: 1 -
Shaft Power: 34 W
Air Flow: 640 m³/h
Blade Diameter: 275 mm

PERFORMANCE CURVE DATA

Standard: EN13215-RG20 / return gas 20°C, subcooling 3K

50 Hz

	Evaporating Temperature (°C)	Cooling Capacity (W)	Power Consumption (W)	Current Consumption (A)	Efficiency (W/W)
25 °C Ambient Temperature	10°C	2 792	1 051	2.07	2.66
	5°C	2 390	957	1.94	2.50
	0°C	2 021	868	1.83	2.33
	-5°C	1 687	782	1.74	2.16
	Rated point -10°C	1 385	702	1.67	1.97
	-15°C	1 117	628	1.62	1.78
32 °C Ambient Temperature	10°C	2 538	1 085	2.13	2.34
	5°C	2 173	985	2.00	2.20
	0°C	1 839	891	1.89	2.06
	-5°C	1 534	804	1.79	1.91
	Rated point -10°C	1 260	723	1.72	1.74
	-15°C	1 015	649	1.67	1.56
43 °C Ambient Temperature	5°C	1 870	1 042	2.05	1.79
	0°C	1 576	929	1.92	1.70
	-5°C	1 306	825	1.81	1.58
	Rated point -10°C	1 060	731	1.72	1.45
	-15°C	838	647	1.66	1.30